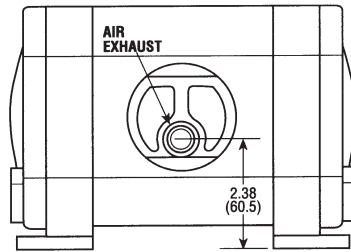
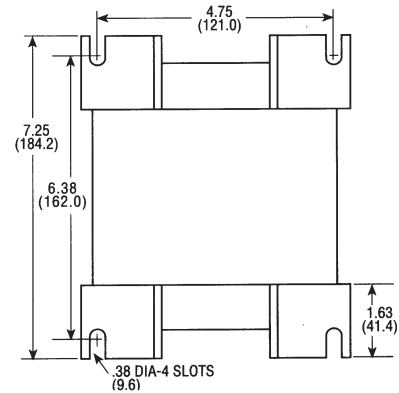


PLASTIC MODELS

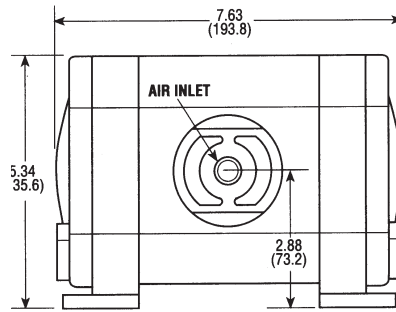
1/4"



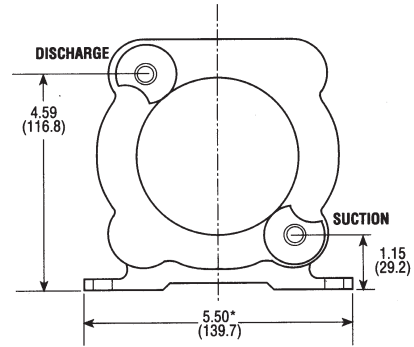
REAR VIEW



FOOTPRINT

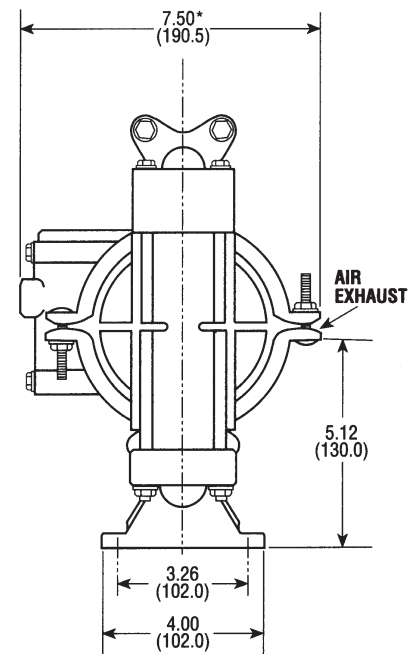
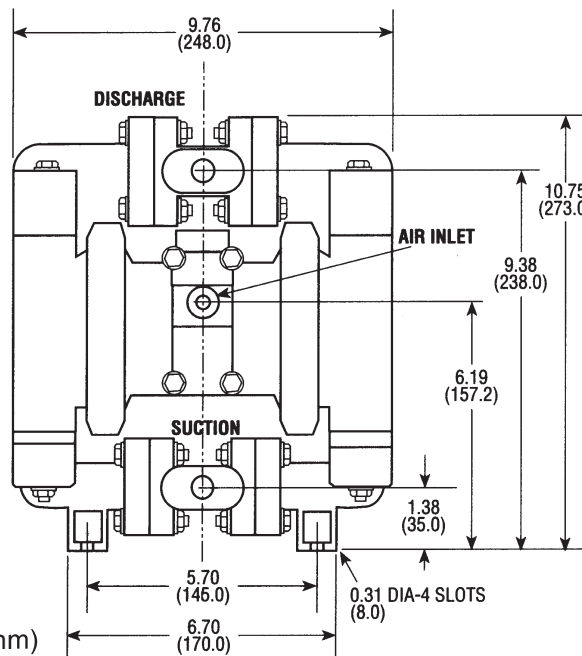


FRONT VIEW



SIDE VIEW

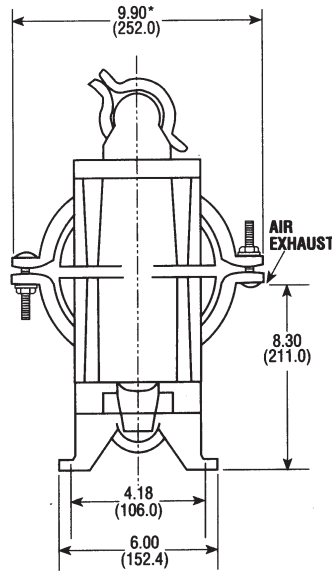
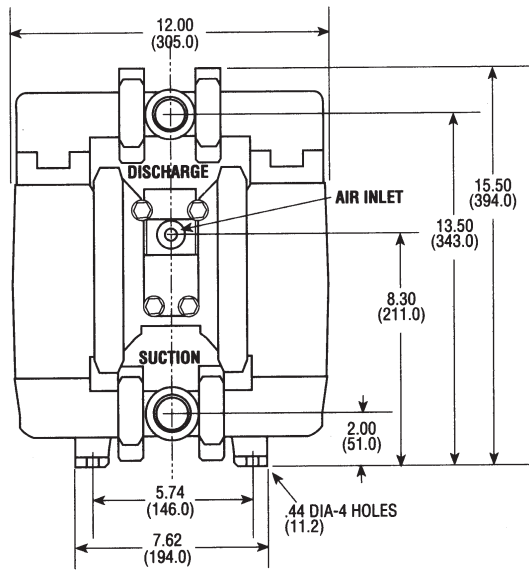
1/2"



* Approximate dimension with muf-
fler – 8.00 (203.2)

Dimensions in inches and (mm)

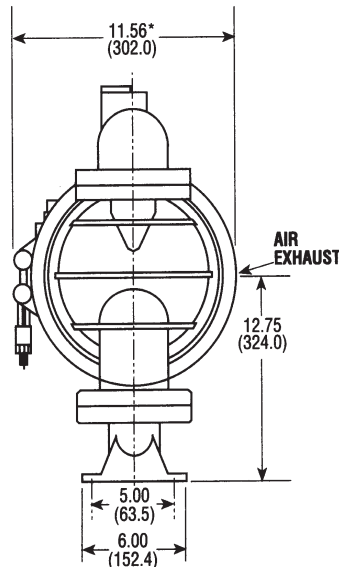
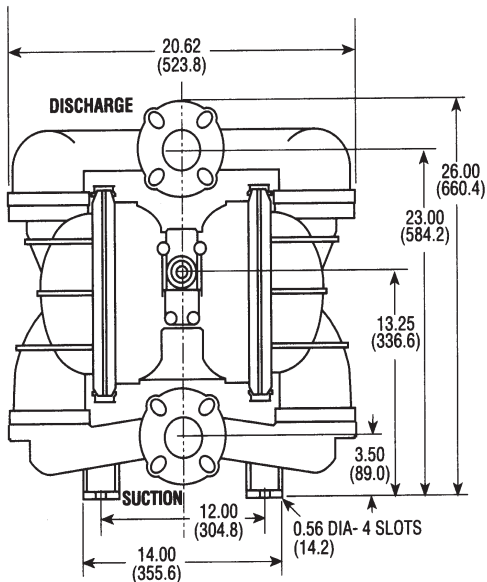
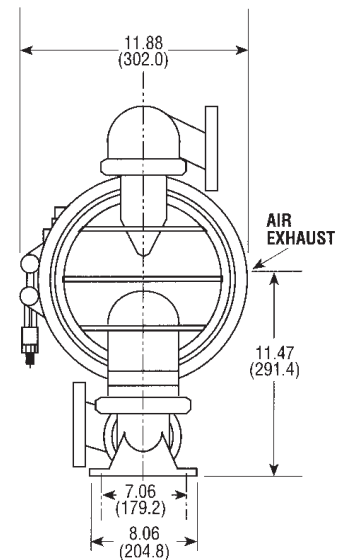
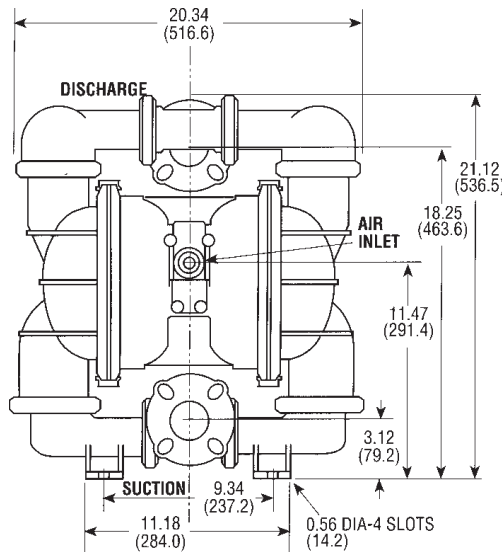
PLASTIC MODELS



1"

* Approximate dimension with muffler – 11.37 (293.9)

1 1/2"

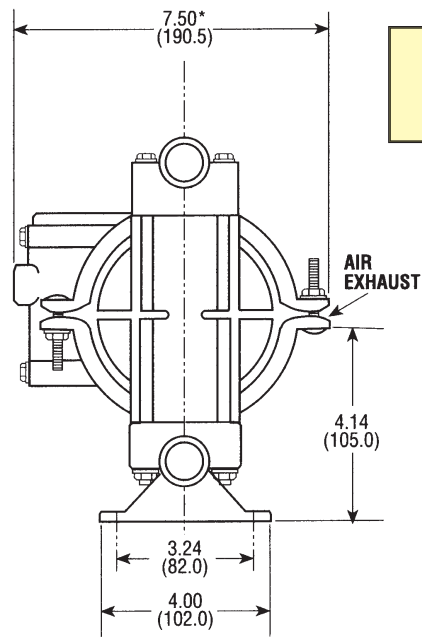
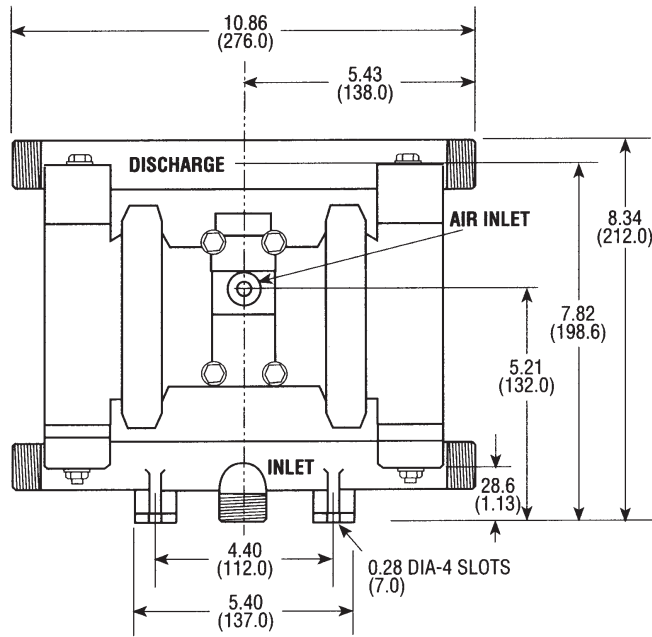


2"

* Approximate dimension with muffler – 14.88 (378.0)

Dimensions in inches and (mm)

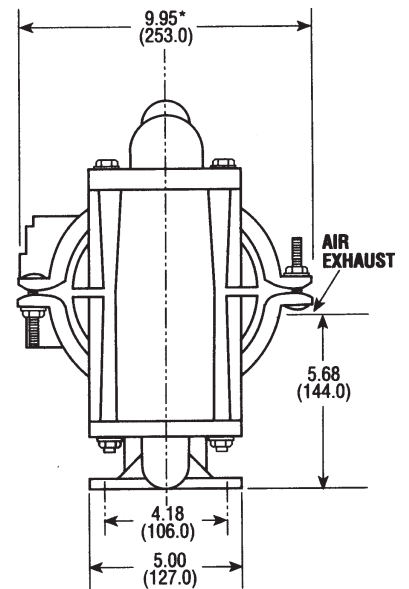
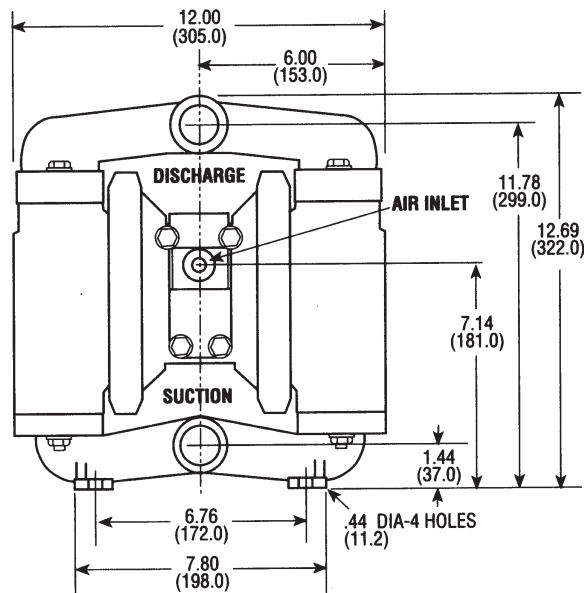
METALLIC MODELS



1/2"

* Approximate dimension with muffler – 8.00 (203.2)

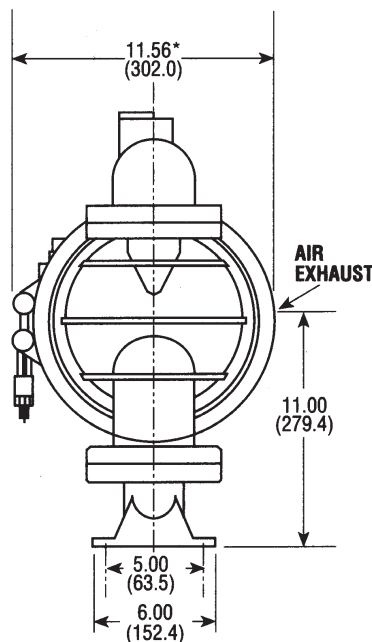
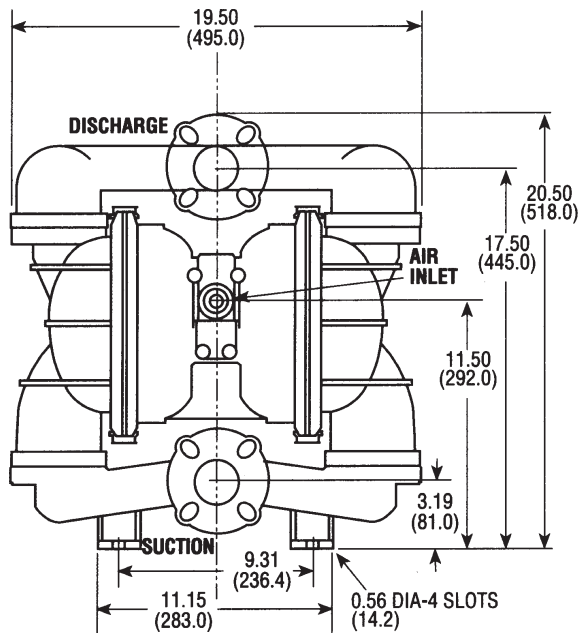
1"



Dimensions in inches and (mm)

* Approximate dimension with muffler – 11.57 (293.9)

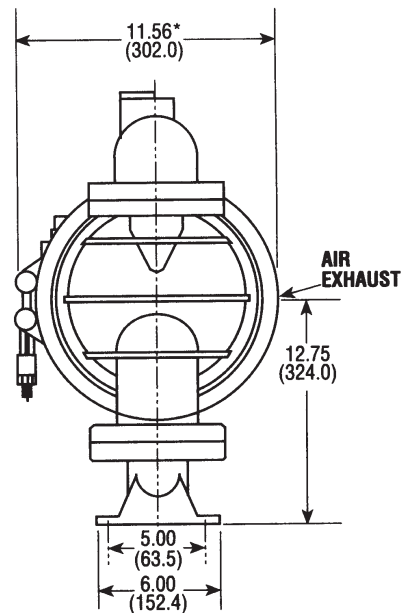
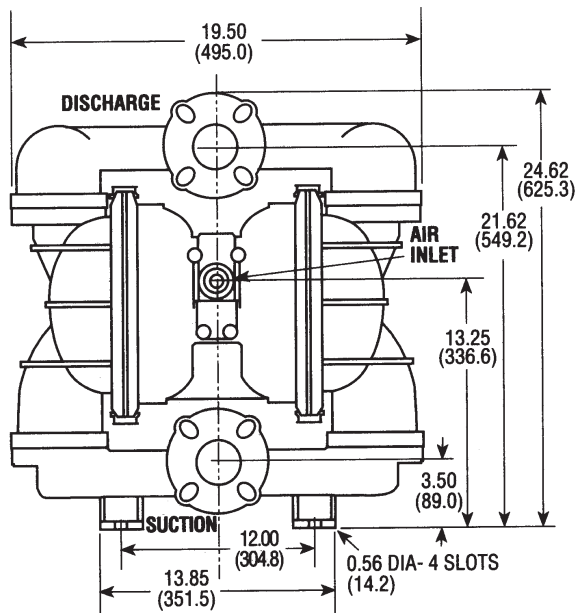
METALLIC MODELS



1 1/2"

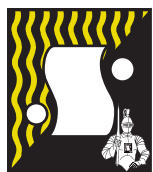
* Approximate dimension with muffler – 14.88 (378.0)

2"



* Approximate dimension with muffler – 14.88 (378.0)
Dimensions in inches and (mm)

Specifications subject to change without notice.



SERFILCO[®], LTD.

2900 MacArthur Blvd. 847-509-2900
Northbrook, IL 60062-2005 U.S.A. 800-323-5431
e-mail: sales@serfilco.com FAX: 847-559-1995
www.serfilco.com