



# SERFILCO®

# SPACE-SAVER® 'J'

BULLETIN  
SP-196  
OCT. 2000

*Cartridge / Sleeve Filtration Systems  
with Series 'J' Filter Chambers  
and Choice of Pump*



**All Space-Saver 'J' systems include the following standard features:**

- Non-metallic solution contact
- Stainless steel external fasteners
- Swing bolt chamber closures
- Viton® elastomers standard
- Corrosion resistant PVC hooded base
- Industrial duty SERFILCO pump
- Hard piping and wet testing prior to shipping
- Corrosion resistant pressure gauge and vent valve
- Silicon carbide seals standard on mechanical seal pumps
- Filter chamber bottom inlet for low pressure drop

**SERFILCO®, LTD.**

1777 Shermer Road ● Northbrook, IL 60062-5360 U.S.A.  
847-559-1777 ● 800-323-5431 ● FAX: 847-559-1995 ●  
Email: sales@serfilco.com ● www.serfilco.com

**WESTERN**  
310-532-0801  
800-348-0801  
FAX: 310-532-0866

### Systems with polypropylene magnetic drive pump and CPVC or PVC<sup>1</sup> filter chamber

System Number	Flow Rate		Pump Series	Pump HP <sup>2</sup>	Pump Max. PSI	Cartridge Change PSI	Filter Series	Media	Solids Area (sq. ft.)	Suct. / Disch Conns. (inches)	Hose Kit Price Code No.
	GPH	LPH									
CJ6M105	1,800	5,700	M	½	20	16	J	6 - 10"	21	1 x 1 FNPT	99-1615
CJ12M105	1,800	5,700	M	½	20	16	J	6 - 20"	42	1 x 1 FNPT	99-1615
CJ18M105	1,800	5,700	M	½	20	16	J	6 - 30"	63	1 x 1 FNPT	99-1615
CJ24M105	1,800	5,700	M	½	20	16	J	6 - 40"	84	1 x 1 FNPT	99-1615

CJ6M208	2,700	8,500	M	¾	24	20	J	6 - 10"	21	1½ x 1½ FNPT	99-1616
CJ12M208	2,700	8,500	M	¾	24	20	J	6 - 20"	42	1½ x 1½ FNPT	99-1616
CJ18M208	2,700	8,500	M	¾	24	20	J	6 - 30"	63	1½ x 1½ FNPT	99-1616
CJ24M208	2,700	8,500	M	¾	24	20	J	6 - 40"	84	1½ x 1½ FNPT	99-1616

CJ12M310	3,600	11,300	M	1.0	28	23	J	6 - 20"	42	1½ x 1½ FNPT	99-1616
CJ18M310	3,600	11,300	M	1.0	28	23	J	6 - 30"	63	1½ x 1½ FNPT	99-1616
CJ24M310	3,600	11,300	M	1.0	28	23	J	6 - 40"	84	1½ x 1½ FNPT	99-1616

CJ12F315	4,500	14,200	F	1.5	23	20	J	6 - 20"	42	1½ x 1½ FNPT	99-1616
CJ18F315	4,500	14,200	F	1.5	23	20	J	6 - 30"	63	1½ x 1½ FNPT	99-1616
CJ24F315	4,500	14,200	F	1.5	23	20	J	6 - 40"	84	1½ x 1½ FNPT	99-1616

CJ12F420	5,000	15,800	F	2.0	29	25	J	6 - 20"	42	1½ x 1½ FNPT	99-1616
CJ18F420	5,000	15,800	F	2.0	29	25	J	6 - 30"	63	1½ x 1½ FNPT	99-1616
CJ24F420	5,000	15,800	F	2.0	29	25	J	6 - 40"	84	1½ x 1½ FNPT	99-1616

CJ18F530	5,500	17,300	F	3.0	35	30	J	6 - 30"	63	1½ x 1½ FNPT	99-1616
CJ24F530	5,500	17,300	F	3.0	35	30	J	6 - 40"	84	1½ x 1½ FNPT	99-1616

<sup>1</sup> Listed system includes CPVC chamber.

To order system with PVC chamber — change the first **C** to **P** in System No. and Model No.

<sup>2</sup> Less than 1.0 HP — single phase standard.

1.0 HP and above — three phase standard.

See page 6 for voltage and amp draw.

**Systems with polypropylene magnetic drive pump and CPVC or PVC<sup>1</sup> filter chamber**

System Number	Overall Dimensions (in.) (L x W x H)	Ship. Weight (lbs.)	Model Number	Price PVC Chamber	Price CPVC Chamber
CJ6M105	22 x 16 x 35	110	CV60(1)SJ 1C MPVCR1A-C.5 G3A	\$ 2,260	\$ 2,378
CJ12M105	22 x 16 x 45	120	CV120(2)SJ 1C MPVCR1A-C.5 G3A	2,421	2,541
CJ18M105	22 x 16 x 55	130	CV180(3)SJ 1C MPVCR1A-C.5 G3A	2,581	2,706
CJ24M105	22 x 16 x 65	140	CV240(4)SJ 1C MPVCR1A-C.5 G3A	2,742	2,863

CJ6M208	22 x 16 x 35	115	CV60(1)SJ 1½C MPVCR2B-C.75 G3A	2,300	2,418
CJ12M208	22 x 16 x 45	125	CV120(2)SJ 1½C MPVCR2B-C.75 G3A	2,461	2,581
CJ18M208	22 x 16 x 55	135	CV180(3)SJ 1½C MPVCR2B-C.75 G3A	2,621	2,746
CJ24M208	22 x 16 x 65	145	CV240(4)SJ 1½C MPVCR2B-C.75 G3A	2,782	2,903

CJ12M310	22 x 16 x 45	135	CV120(2)SJ 1½C MPVCR3C-D1.0 G3A	2,556	2,676
CJ18M310	22 x 16 x 55	145	CV180(3)SJ 1½C MPVCR3C-D1.0 G3A	2,716	2,841
CJ24M310	22 x 16 x 65	155	CV240(4)SJ 1½C MPVCR3C-D1.0 G3A	2,877	2,998

CJ12F315	22 x 16 x 45	140	CV120(2)SJ 1½C MPVGC3-D1.5 G3A	2,966	3,086
CJ18F315	22 x 16 x 55	150	CV180(3)SJ 1½C MPVGC3-D1.5 G3A	3,126	3,251
CJ24F315	22 x 16 x 65	160	CV240(4)SJ 1½C MPVGC3-D1.5 G3A	3,287	3,408

CJ12F420	22 x 16 x 45	145	CV120(2)SJ 1½C MPVGC4-D2.0 G3A	2,993	3,113
CJ18F420	22 x 16 x 55	155	CV180(3)SJ 1½C MPVGC4-D2.0 G3A	3,153	3,278
CJ24F420	22 x 16 x 65	165	CV240(4)SJ 1½C MPVGC4-D2.0 G3A	3,314	3,435

CJ18F530	22 x 16 x 55	170	CV180(3)SJ 1½C MPVGC5-D3.0 G3A	3,193	3,318
CJ24F530	22 x 16 x 65	180	CV240(4)SJ 1½C MPVGC5-D3.0 G3A	3,354	3,475

**Systems with CPVC single or double seal<sup>2</sup> direct drive pump and CPVC or PVC<sup>1</sup> filter chamber**

System Number	Flow Rate		Pump Series	Pump HP <sup>3</sup>	Pump Max. PSI	Cartridge Change PSI	Filter Series	Media	Solids Area (sq. ft.)	Suct. / Disch Conns. (inches)	Hose Kit Price Code No.
	GPH	LPH									
CJ12HE610	3,000	9,500	HE	1.0 <sup>4</sup>	16	14	J	6 - 20"	42	2 x 1½ FNPT	99-1619
CJ18HE610	3,000	9,500	HE	1.0	16	14	J	6 - 30"	63	2 x 1½ FNPT	99-1619
CJ24HE610	3,000	9,500	HE	1.0	16	14	J	6 - 40"	84	2 x 1½ FNPT	99-1619

CJ12HE115	4,500	14,200	HE	1.5	24	19	J	6 - 20"	42	2 x 1½ FNPT	99-1619
CJ18HE115	4,500	14,200	HE	1.5	24	19	J	6 - 30"	63	2 x 1½ FNPT	99-1619
CJ24HE115	4,500	14,200	HE	1.5	24	19	J	6 - 40"	84	2 x 1½ FNPT	99-1619

CJ18HE220	5,500	17,300	HE	2.0	29	26	J	6 - 30"	63	2 x 1½ FNPT	99-1619
CJ24HE220	5,500	17,300	HE	2.0	29	26	J	6 - 40"	84	2 x 1½ FNPT	99-1619

CJ18HE330	6,000	18,900	HE	3.0	36	32	J	6 - 30"	63	2 x 1½ FNPT	99-1619
CJ24HE330	6,000	18,900	HE	3.0	36	32	J	6 - 40"	84	2 x 1½ FNPT	99-1619

<sup>1</sup> Listed system includes CPVC chamber.

To order system with PVC chamber — change the first **C** to **P** in System No. and Model No.

<sup>2</sup> To order pump with double mechanical seal — change **HE** to **HED** in System No.

<sup>3</sup> Less than 1.0 HP — single phase standard.

1.0 HP and above — three phase standard.

See page 6 for voltage and amp draw.

<sup>4</sup> 1.0 HP 'HE' pump is 1725 RPM.

**Systems with CPVC single or double seal<sup>2</sup> direct drive pump and CPVC or PVC<sup>1</sup> filter chamber**

System	Overall Dimensions (in.) (L x W x H)	Ship. Weight (lbs.)	Model Number	Price PVC Chamber	Price CPVC Chamber
CJ12HE610	22 x 16 x 45	145	CV120(2)SJ 1½C H2X1½CE6V(M8)-H1.0 G3A	\$ 2,963	\$ 3,083
CJ18HE610	22 x 16 x 55	155	CV180(3)SJ 1½C H2X1½CE6V(M8)-H1.0 G3A	3,123	3,248
CJ24HE610	22 x 16 x 65	165	CV240(4)SJ 1½C H2X1½CE6V(M8)-H1.0 G3A	3,284	3,405

CJ12HE115	22 x 16 x 45	145	CV120(2)SJ 1½C H2X1½CE1V(M8)-D1.5 G3A	3,030	3,150
CJ18HE115	22 x 16 x 55	155	CV180(3)SJ 1½C H2X1½CE1V(M8)-D1.5 G3A	3,190	3,315
CJ24HE115	22 x 16 x 65	165	CV240(4)SJ 1½C H2X1½CE1V(M8)-D1.5 G3A	3,351	3,472

CJ18HE220	22 x 16 x 55	145	CV180(3)SJ 1½C H2X1½CE2V(M8)-D2.0 G3A	3,290	3,415
CJ24HE220	22 x 16 x 65	155	CV240(4)SJ 1½C H2X1½CE2V(M8)-D2.0 G3A	3,451	3,572

CJ18HE330	22 x 16 x 55	150	CV180(3)SJ 1½C H2X1½CE3V(M8)-D3.0 G3A	3,398	3,523
CJ24HE330	22 x 16 x 65	160	CV240(4)SJ 1½C H2X1½CE3V(M8)-D3.0 G3A	3,559	3,680

**VOLTAGE**

<b>PUMP SERIES</b>	<b>SINGLE PHASE</b>	<b>THREE PHASE</b>
<b>M</b>	115/208-230V/1/60 or 190/200-220V/1/50	208-230/460V/3/60 or 190/380-415V/3/50
<b>F</b>	115/208-230V/1/60 or 220/440V/1/50	208-230/460V/3/60 or 380-415V/3/50
<b>HE</b>	—	208-230/460V/3/60 or 190/380-415V/3/50

**TYPICAL FULL LOAD CURRENT (AMPS)**

<b>HP</b>	<b>SINGLE PHASE</b>			<b>THREE PHASE</b>		
	<b>115V</b>	<b>208V</b>	<b>230V</b>	<b>208V</b>	<b>230V</b>	<b>460V</b>
<b>3/4</b>	13.8	7.9	6.9	3.2	2.8	1.4
<b>1.0</b>	16	9.2	8	4.2	3.6	1.8
<b>1.5</b>	20	11.5	10	6	5.2	2.6
<b>2.0</b>	24	13.8	12	7.8	6.8	3.4
<b>3.0</b>	—	—	—	11	9.6	4.8

**OPTIONAL**

<b>CARBON PURIFICATION CHAMBER</b>		
<b>DESCRIPTION</b>		<b>ADD TO END OF SYSTEM NO.</b>
Includes integral carbon chamber and flow control valve. Carbon outlet 3/4" NPT	PVC chamber, Single 5" x 28" canister, 7.5 lbs. capacity	P
	CPVC chamber, Single 5" x 28" canister, 7.5 lbs. capacity	C
	CPVC chamber, Single 5" x 28" Maxi-Carb cartridge, 3.0 lbs. carbon	M

Order carbon media from Bulletin M-305.

<b>EPDM ELASTOMERS</b>	<b>ADD TO END OF SYSTEM NO.</b>
Filter chamber and pump	L

<b>MOTOR STARTERS</b>		
<b>NEMA 4X Watertight push button (mounted and wired)</b>		<b>PRICE CODE NO.</b>
Add <b>-S</b> to motor starter Price Code No. when ordering motor starter for use with DRI-STOP® Pump Protector <b>IMPORTANT:</b> Specify operating voltage	115 - 230V/1/50-60 230 - 460V/3/50-60	O-MS1P O-MS3P

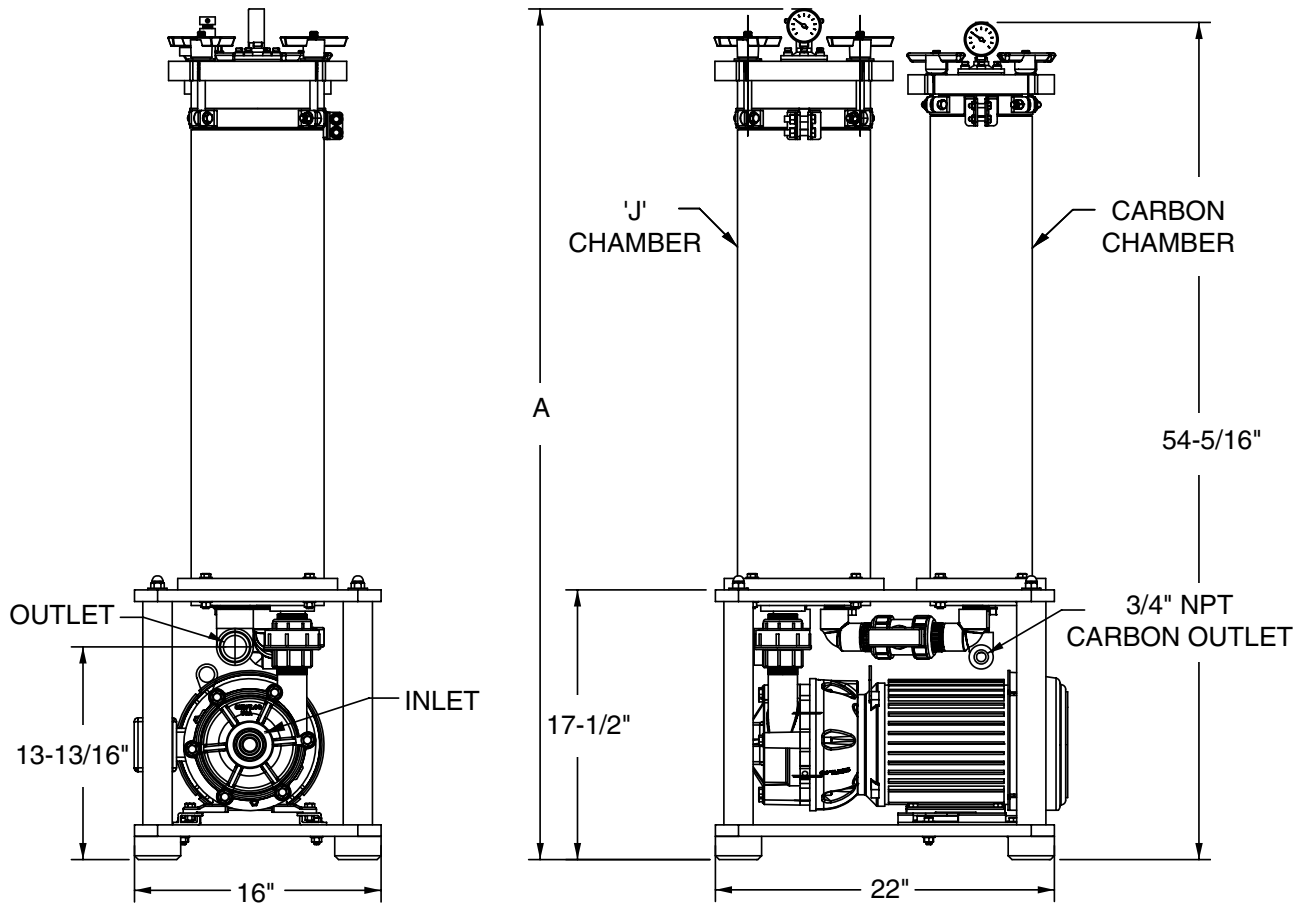
<b>DRI-STOP® PUMP PROTECTOR</b>	
DRI-STOP 2R for use with double mechanical seal pump.	O-2DS2R
DRI-STOP 3 for use with magnetic drive or single mechanical seal pump.	O-DS3C

<b>OPERATING VOLTAGE</b>	
1 horsepower and above - Single phase	O-1PH
Under 1 horsepower - Three phase	O-3PH

<b>50 Hz OPERATION</b>	
Single phase @ 50 Hz	O-150H
Three phase @ 50 Hz	O-350H

**SPACE-SAVER 'J'  
FILTRATION SYSTEMS  
with OPTIONAL CARBON  
PURIFICATION CHAMBER**

**DIMENSIONS**



CHAMBER	A
J6	35-3/16"
J12	45-3/16"
J18	55-3/16"
J24	65-3/16"