

SERFILCO® SPACE-SAVER® 'GJ'

BULLETIN
SP-195
OCT. 2000

*Cartridge / Sleeve Filtration Systems
with Series 'GJ' Filter Chambers
and Choice of Pump*



All Space-Saver 'GJ' systems include the following standard features:

- Non-metallic solution contact
- Stainless steel external fasteners
- Swing bolt chamber closures
- Viton® / Hypalon® elastomers standard
- Corrosion resistant PVC hooded base
- Flange connections
- Industrial duty SERFILCO pump
- Hard piping and wet testing prior to shipping
- Corrosion resistant pressure gauge and vent valve
- Silicon carbide seals standard on mechanical seal pumps
- Filter chamber bottom inlet for low pressure drop

SERFILCO® LTD.

1777 Shermer Road ● Northbrook, IL 60062-5360 U.S.A.
847-559-1777 ● 800-323-5431 ● FAX: 847-559-1995 ●
Email: sales@serfilco.com ● www.serfilco.com

WESTERN
310-532-0801
800-348-0801
FAX: 310-532-0866

Systems with polypropylene magnetic drive pump and CPVC or PVC¹ filter chamber

System	Flow Rate		Pump Series	Pump HP ²	Pump Max. PSI	Cartridge Change PSI	Filter Series	Media	Solids Area (sq. ft.)	Suct. / Disch Conns. (inches)	Hose Kit Price Code No.
	GPH	LPH									
CGJ24M208	3,500	11,000	M	¾	24	20	GJ	12 - 20"	84	1½F x 1½F	99-1616
CGJ36M208	3,500	11,000	M	¾	24	20	GJ	12 - 30"	126	1½F x 1½F	99-1616

CGJ24M310	4,000	12,600	M	1.0	28	23	GJ	12 - 20"	84	1½F x 1½F	99-1616
CGJ36M310	4,000	12,600	M	1.0	28	23	GJ	12 - 30"	126	1½F x 1½F	99-1616
CGJ48M310	4,000	12,600	M	1.0	28	23	GJ	12 - 40"	168	1½F x 1½F	99-1616

CGJ24F315	5,000	15,800	F	1.5	23	20	GJ	12 - 20"	84	1½F x 1½F	99-1616
CGJ36F315	5,000	15,800	F	1.5	23	20	GJ	12 - 30"	126	1½F x 1½F	99-1616
CGJ48F315	5,000	15,800	F	1.5	23	20	GJ	12 - 40"	168	1½F x 1½F	99-1616

CGJ24F420	5,500	17,300	F	2.0	29	25	GJ	12 - 20"	84	1½F x 1½F	99-1616
CGJ36F420	5,500	17,300	F	2.0	29	25	GJ	12 - 30"	126	1½F x 1½F	99-1616
CGJ48F420	5,500	17,300	F	2.0	29	25	GJ	12 - 40"	168	1½F x 1½F	99-1616

CGJ24F530	6,000	18,900	F	3.0	35	30	GJ	12 - 20"	84	1½F x 1½F	99-1616
CGJ36F530	6,000	18,900	F	3.0	35	30	GJ	12 - 30"	126	1½F x 1½F	99-1616
CGJ48F530	6,000	18,900	F	3.0	35	30	GJ	12 - 40"	168	1½F x 1½F	99-1616

CGJ48F850	8,500	26,800	F 2X2	5.0	45	33	GJ	12 - 40"	168	2F x 2F	99-1620
-----------	-------	--------	-------	-----	----	----	----	----------	-----	---------	---------

CGJ48F975	10,000	31,500	F 2X2	7.5	55	42	GJ	12 - 40"	168	2F x 2F	99-1620
-----------	--------	--------	-------	-----	----	----	----	----------	-----	---------	---------

¹ Listed system includes CPVC chamber.

To order system with PVC chamber — change the first **C** to **P** in System No. and Model No.

² Less than 1.0 HP — single phase standard.

1.0 HP and above — three phase standard.

See page 6 for voltage and amp draw.

Systems with polypropylene magnetic drive pump and CPVC or PVC¹ filter chamber

System Number	Overall Dimensions (in.) (L x W x H)	Ship. Weight (lbs.)	Model Number	Price PVC Chamber	Price CPVC Chamber
CGJ24M208	27 x 19 x 49	180	CH240SJ 1¼C MPVCR2B-C.75 G3A	\$ 3,361	\$ 3,693
CGJ36M208	27 x 19 x 59	190	CH360SJ 1¼C MPVCR2B-C.75 G3A	3,571	3,902

CGJ24M310	27 x 19 x 49	190	CH240SJ 1¼C MPVCR3C-D1.0 G3A	3,456	3,788
CGJ36M310	27 x 19 x 59	200	CH360SJ 1¼C MPVCR3C-D1.0 G3A	3,666	3,997
CGJ48M310	27 x 19 x 69	210	CH480SJ 1¼C MPVCR3C-D1.0 G3A	3,875	4,206

CGJ24F315	27 x 19 x 49	200	CH240SJ 1½C MPVGC3-D1.5 G3A	3,866	4,196
CGJ36F315	27 x 19 x 59	210	CH360SJ 1½C MPVGC3-D1.5 G3A	4,076	4,407
CGJ48F315	27 x 19 x 69	220	CH480SJ 1½C MPVGC3-D1.5 G3A	4,285	4,616

CGJ24F420	27 x 19 x 49	210	CH240SJ 1½C MPVGC4-D2.0 G3A	3,893	4,225
CGJ36F420	27 x 19 x 59	220	CH360SJ 1½C MPVGC4-D2.0 G3A	4,103	4,434
CGJ48F420	27 x 19 x 69	230	CH480SJ 1½C MPVGC4-D2.0 G3A	4,312	4,643

CGJ24F530	27 x 19 x 49	220	CH240SJ 1½C MPVGC5-D3.0 G3A	3,933	4,265
CGJ36F530	27 x 19 x 59	230	CH360SJ 1½C MPVGC5-D3.0 G3A	4,143	4,474
CGJ48F530	27 x 19 x 69	240	CH480SJ 1½C MPVGC5-D3.0 G3A	4,352	4,683

CGJ48F850	27 x 19 x 69	260	CH480SJ 2C MPVGC8-D5.0 G3A	5,567	5,898
-----------	--------------	-----	----------------------------	-------	-------

CGJ48F975	27 x 19 x 69	275	CH480SJ 2C MPVGC9-D7.5 G3A	5,692	6,023
-----------	--------------	-----	----------------------------	-------	-------

Systems with CPVC single or double seal² direct drive pump and CPVC or PVC¹ filter chamber

System Number	Flow Rate		Pump Series	Pump HP ³	Pump Max. PSI	Cartridge Change PSI	Filter Series	Media	Solids Area (sq. ft.)	Suct. / Disch Conns. (inches)	Hose Kit Price Code No.
	GPH	LPH									
CGJ24HE115	5,000	15,800	HE	1.5	24	19	GJ	12 - 20"	84	2F x 2F	99-1620
CGJ36HE115	5,000	15,800	HE	1.5	24	19	GJ	12 - 30"	126	2F x 2F	99-1620
CGJ48HE115	5,000	15,800	HE	1.5	24	19	GJ	12 - 40"	168	2F x 2F	99-1620

CGJ24HE220	5,500	17,300	HE	2.0	29	26	GJ	12 - 20"	84	2F x 2F	99-1620
CGJ36HE220	5,500	17,300	HE	2.0	29	26	GJ	12 - 30"	126	2F x 2F	99-1620
CGJ48HE220	5,500	17,300	HE	2.0	29	26	GJ	12 - 40"	168	2F x 2F	99-1620

CGJ24HE330	6,500	20,500	HE	3.0	36	32	GJ	12 - 20"	84	2F x 2F	99-1620
CGJ36HE330	6,500	20,500	HE	3.0	36	32	GJ	12 - 30"	126	2F x 2F	99-1620
CGJ48HE330	6,500	20,500	HE	3.0	36	32	GJ	12 - 40"	168	2F x 2F	99-1620

CGJ48HE450	8,500	26,800	HE	5.0	50	45	GJ	12 - 40"	168	2F x 2F	99-1620
------------	-------	--------	----	-----	----	----	----	----------	-----	---------	---------

CGJ48HE575	10,000	31,500	HE	7.5	60	45	GJ	12 - 40"	168	2F x 2F	99-1620
------------	--------	--------	----	-----	----	----	----	----------	-----	---------	---------

¹ Listed system includes CPVC chamber.

To order system with PVC chamber — change the first **C** to **P** in System No. and Model No.

² To order pump with double mechanical seal — change **HE** to **HED** in System No.

³ Less than 1.0 HP — single phase standard.

1.0 HP and above — three phase standard.

See page 6 for voltage and amp draw.

Systems with CPVC single or double seal² direct drive pump and CPVC or PVC¹ filter chamber

System Number	Overall Dimensions (in.) (L x W x H)	Ship. Weight (lbs.)	Model Number	Price PVC Chamber	Price CPVC Chamber
CGJ24HE115	27 x 19 x 49	200	CH240SJ1½C H2X1½CE1V(M8)-D1.5 G3A	\$ 3,725	\$ 4,057
CGJ36HE115	27 x 19 x 59	210	CH360SJ 1½C H2X1½CE1V(M8)-D1.5 G3A	3,935	4,266
CGJ48HE115	27 x 19 x 69	220	CH480SJ 1½C H2X1½CE1V(M8)-D1.5 G3A	4,144	4,475

CGJ24HE220	27 x 19 x 49	210	CH240SJ 1½C H2X1½CE2V(M8)-D2.0 G3A	3,811	4,143
CGJ36HE220	27 x 19 x 59	220	CH360SJ 1½C H2X1½CE2V(M8)-D2.0 G3A	4,021	4,352
CGJ48HE220	27 x 19 x 69	230	CH480SJ 1½C H2X1½CE2V(M8)-D2.0 G3A	4,230	4,561

CGJ24HE330	27 x 19 x 49	220	CH240SJ 1½C H2X1½CE3V(M8)-D3.0 G3A	4,058	4,390
CGJ36HE330	27 x 19 x 59	230	CH360SJ 1½C H2X1½CE3V(M8)-D3.0 G3A	4,268	4,599
CGJ48HE330	27 x 19 x 69	240	CH480SJ 1½C H2X1½CE3V(M8)-D3.0 G3A	4,477	4,808

CGJ48HE450	27 x 19 x 69	260	CH480SJ 2C H2X1½CE4V(M8)-D5.0 G3A	4,758	5,089
------------	--------------	-----	-----------------------------------	-------	-------

CGJ48HE575	27 x 19 x 69	275	CH480SJ 2C H2X1½CE5V(M8)-D7.5 G3A	4,877	5,208
------------	--------------	-----	-----------------------------------	-------	-------

VOLTAGE

PUMP SERIES	SINGLE PHASE	THREE PHASE
M	115/208-230V/1/60 or 190/200-220V/1/50	208-230/460V/3/60 or 190/380-415V/3/50
F	115/208-230V/1/60 or 220/440V/1/50	208-230/460V/3/60 or 380-415V/3/50
F2x2	—	208-230/460V/3/60 or 380-415V/3/50
HE	—	208-230/460V/3/60 or 190/380-415V/3/50

TYPICAL FULL LOAD CURRENT (AMPS)

HP	SINGLE PHASE			THREE PHASE		
	115V	208V	230V	208V	230V	460V
3/4	13.8	7.9	6.9	3.2	2.8	1.4
1.0	16	9.2	8	4.2	3.6	1.8
1.5	20	11.5	10	6	5.2	2.6
2.0	24	13.8	12	7.8	6.8	3.4
3.0	—	—	—	11	9.6	4.8
5.0	—	—	—	17.5	15.2	7.6
7.5	—	—	—	25	22	11

OPTIONAL

CARBON PURIFICATION CHAMBER		
	DESCRIPTION	ADD TO END OF SYSTEM NO.
Includes integral carbon chamber and flow control valve. Carbon outlet 3/4" NPT	PVC chamber, Single 5" x 28" canister, 7.5 lbs. capacity	C
	CPVC chamber, Single 5" x 28" canister, 7.5 lbs. capacity	M
	CPVC chamber, Single 5" x 28" Maxi-Carb cartridge, 3.0 lbs. carbon	

Order carbon media from Bulletin M-305.

EPDM ELASTOMERS	ADD TO END OF SYSTEM NO.
Filter chamber and pump	L

MOTOR STARTERS		
		PRICE CODE NO.
NEMA 4X Watertight push button (mounted and wired) Add -S to motor starter Price Code No. when ordering motor starter for use with DRI-STOP® Pump Protector IMPORTANT: Specify operating voltage	115 - 230V/1/50-60	O-MS1P
	230 - 460V/3/50-60	O-MS3P

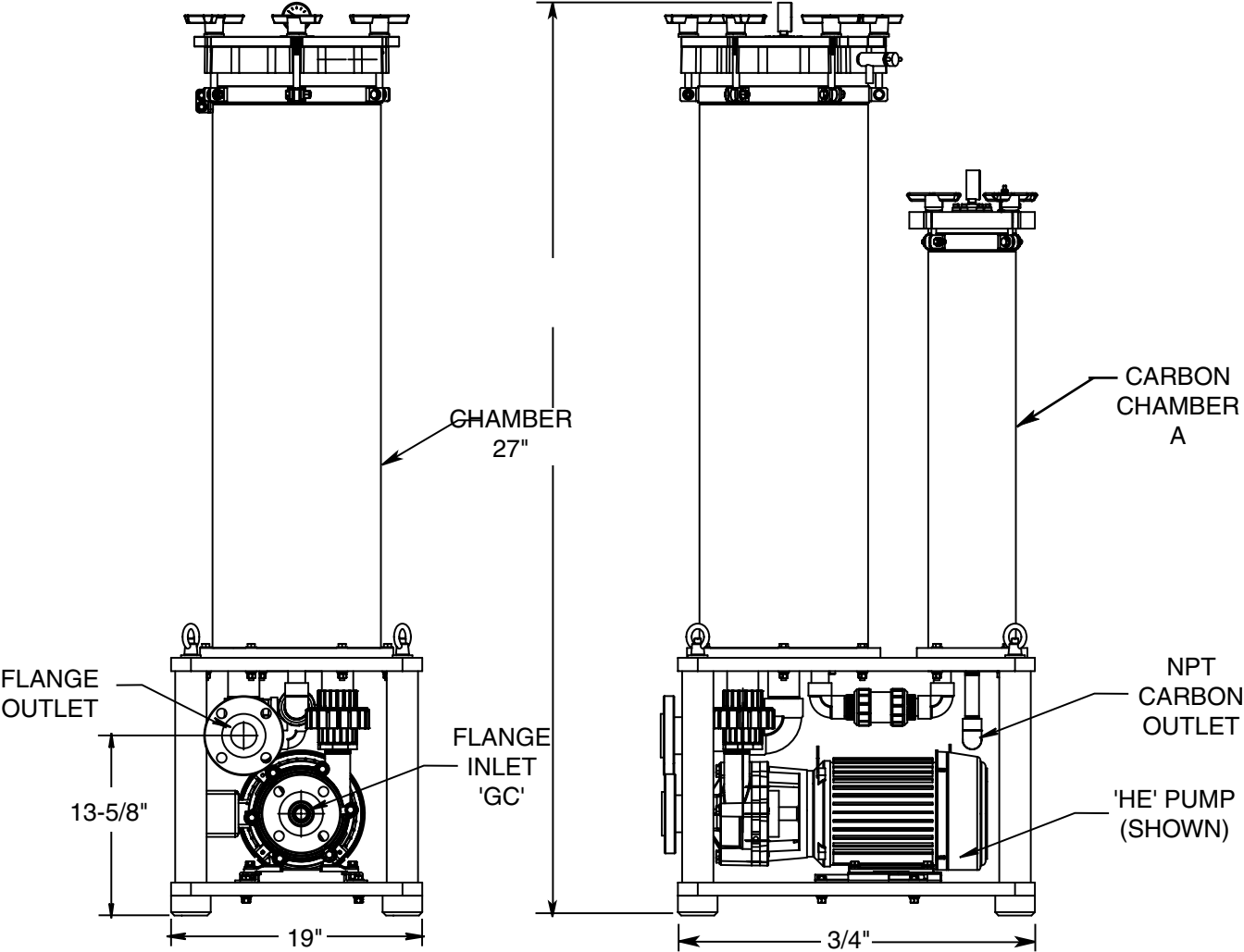
DRI-STOP® PUMP PROTECTOR	
DRI-STOP 2R for use with double mechanical seal pump.	O-2DS2R
DRI-STOP 3 for use with magnetic drive or single mechanical seal pump.	O-DS3C

OPERATING VOLTAGE	
1 horsepower and above - Single phase	O-1PH
Under 1 horsepower - Three phase	O-3PH

50 Hz OPERATION	
Single phase @ 50 Hz	O-150H
Three phase @ 50 Hz	O-350H

SPACE-SAVER 'GJ' FILTRATION SYSTEMS with OPTIONAL CARBON PURIFICATION CHAMBER

DIMENSIONS



CHAMBER	A
GJ24	59"
GJ36	69"
GJ48	49"