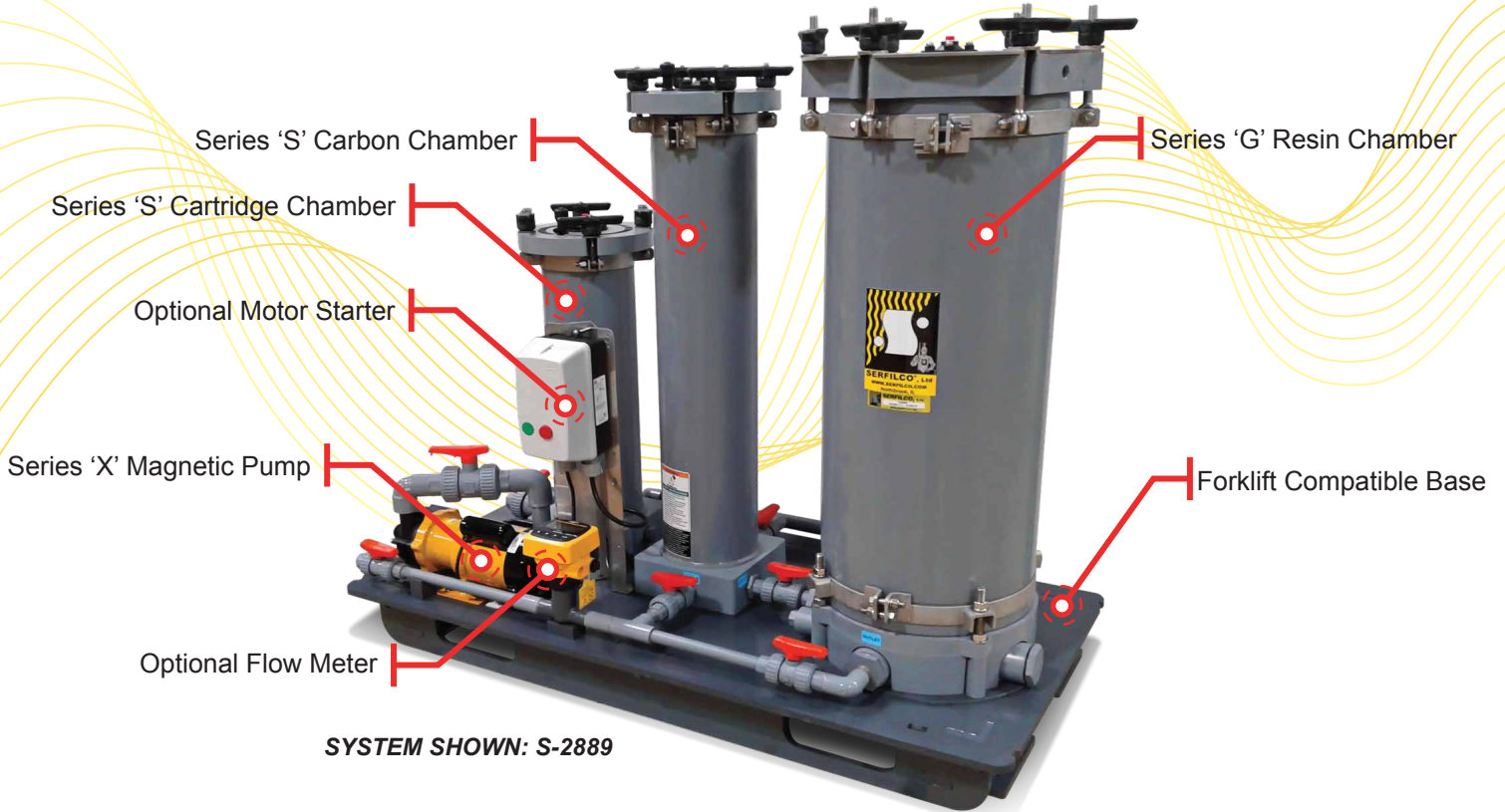




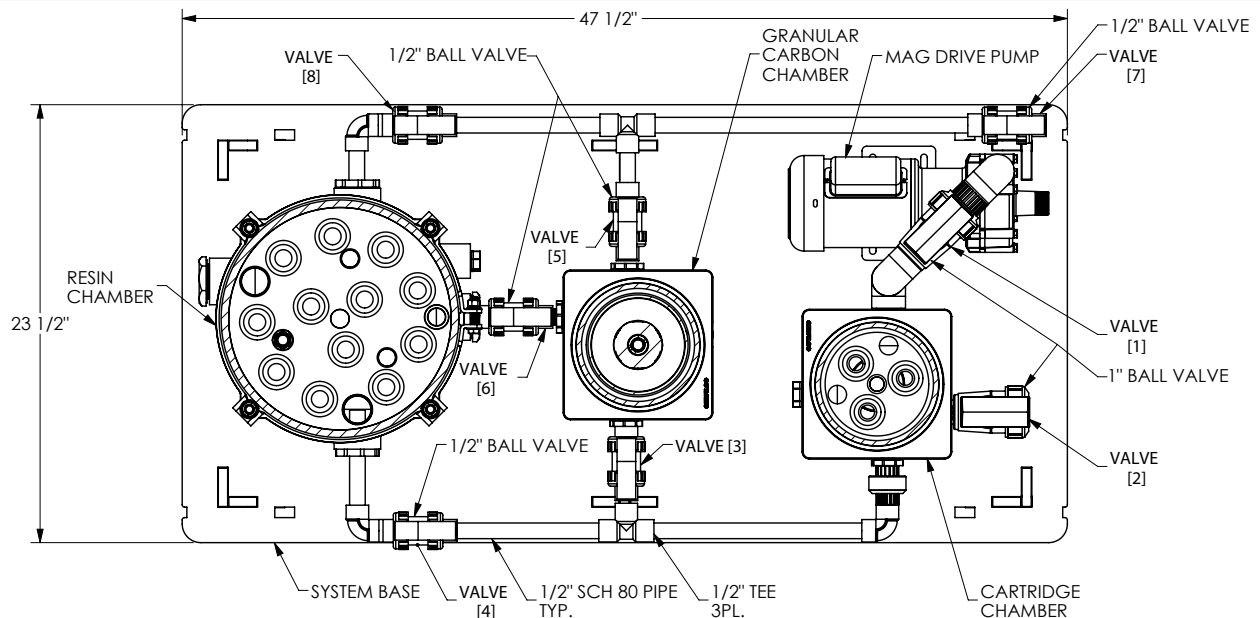
TRIVALENT CHROME SYSTEMS



SYSTEM SHOWN: S-2889

SYSTEM CHARACTERISTICS

SYSTEM NUMBER	INLET/OUTLET (NPT)	PUMP SERIES	FLOW (U.S. GPM)	PRESSURE (PSI)	G/S - CHAMBER RESIN CAPACITY	S-CHAMBER CARBON CAPACITY	S-CHAMBER CARTRIDGE CAPACITY
S-2888	1 x 1/2 NPT	Series 'X'	24	36	.3ft ³ (S)	.27 ft ³	6 x 10" / 3 x 20"
S-2889	1 x 1/2 NPT	Series 'X'	24	36	.9 ft ³	.27 ft ³	6 x 10" / 3 x 20"
S-2889-1	1 x 1/2 NPT	Series 'X'	24	36	1.5 ft ³	.27 ft ³	6 x 10" / 3 x 20"





TRIVALENT CHROME SYSTEMS

VALVE POSITIONS

CARTRIDGE ONLY

VALVE 1	VALVE 2	VALVE 3	VALVE 4	VALVE 5	VALVE 6	VALVE 7	VALVE 8
Open	Open	Closed	Closed	Closed	Closed	Closed	Closed

CARTRIDGE FILTRATION + CARBON ONLY

VALVE 1	VALVE 2	VALVE 3	VALVE 4	VALVE 5	VALVE 6	VALVE 7	VALVE 8
Open	Closed	Open	Closed	Open	Closed	Open	Closed

CARTRIDGE FILTRATION + RESIN ONLY

VALVE 1	VALVE 2	VALVE 3	VALVE 4	VALVE 5	VALVE 6	VALVE 7	VALVE 8
Open	Closed	Closed	Open	Closed	Closed	Open	Open

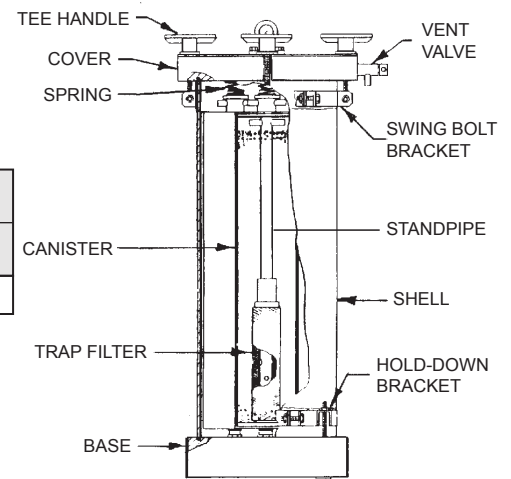
CARTRIDGE FILTRATION + CARBON + RESIN

VALVE 1	VALVE 2	VALVE 3	VALVE 4	VALVE 5	VALVE 6	VALVE 7	VALVE 8
Open	Closed	Open	Closed	Closed	Open	Open	Open

REPLACEMENT MEDIA

CARBON CANISTER

MODEL	FLOW U.S. GPM	TRAP FILTER	CARBON CAPACITY		PRICE CODE NUMBERS	
			NO. CANS.	LBS.	CPVC	PVC
CL1(528P)CCS 1-G3	1 - 5	(1) SF 03U10U	1	7	78-1427-C	78-1427

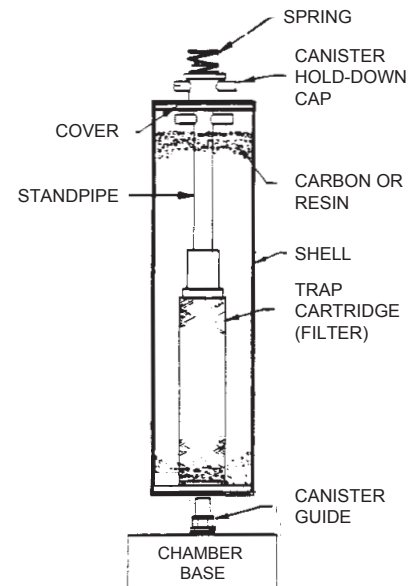


SPECIFIC ION RESIN

Specific ion resins have the capacity to remove specific types of metals from waste streams in the presence of other ions that would normally exhaust the resin. This ability allows the treatment of much larger volumes than with ordinary non-specific resins. Consult SERFILCO's Sales Department for specific details.

DESCRIPTION	TYPE	PART NO.*
Heavy Metals Removal Copper, Nickel, Chrome Zinc or Lead as cations at pH's above 5.	S930	1307

Consult Sales Department for quantity pricing and special packaging.
To order .5 cu. ft. bag - add .5B to Part No.
To order .9 cu. ft. bag - add .9B to Part No.



GRANULAR, ACTIVATED CARBON

DESCRIPTION	LBS.*	PART NO.
12 X 30 Mesh 99.5% sulfur-free (standard)	10 50	99-0994 99-0997

Sold in 10 Pound Bags or
50 Pound Drums Only