

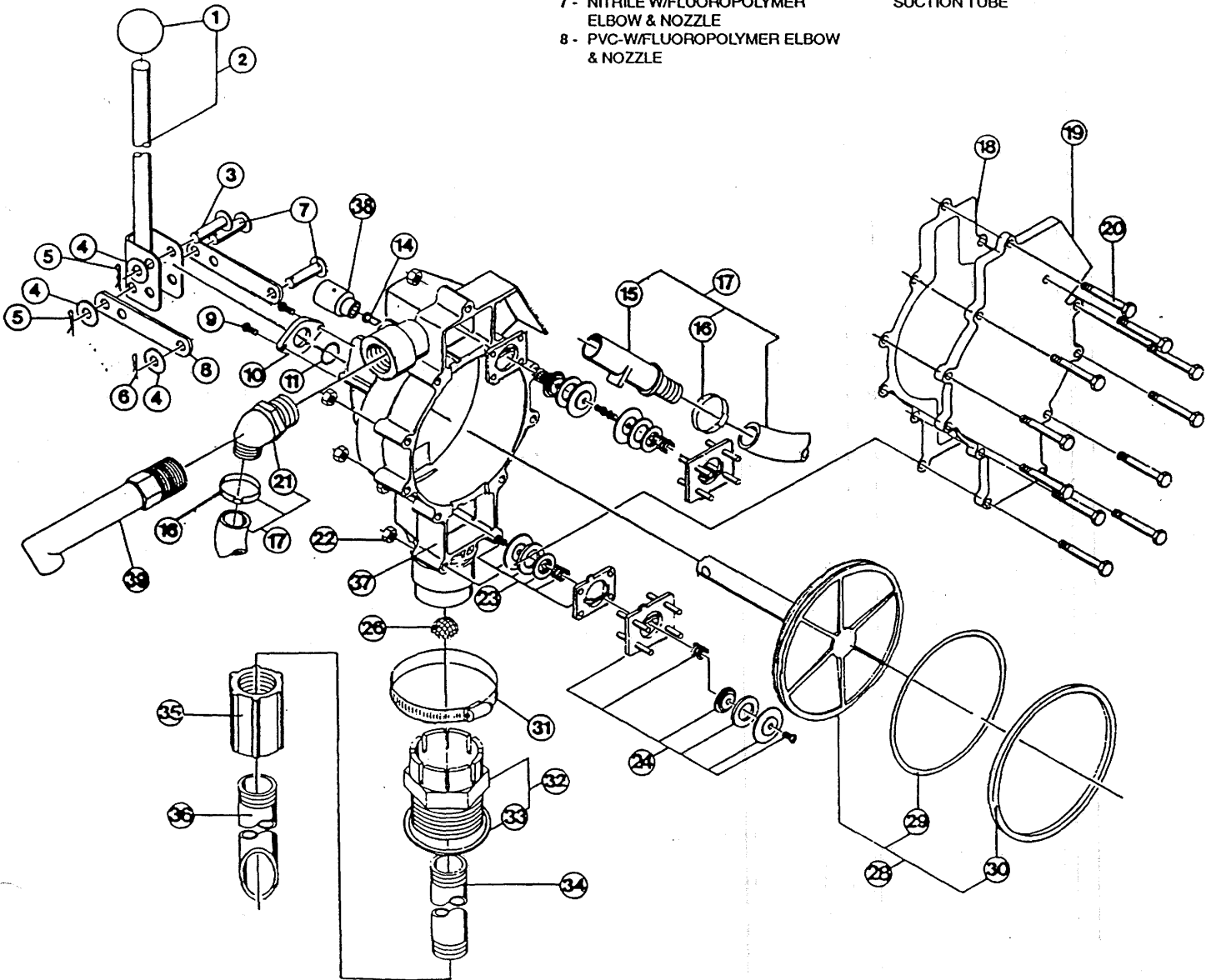


HAND DISPENSING PUMP SERIES "HP"

PARTS LIST
P-9990C
OCT. 1994

The model numbering system for the Hand Pump is made up of 6 digits, each of which tells something about how the pumps are built. The following chart explains each digit.

1ST DIGIT SERIES H	2ND DIGIT HOUSING MATERIAL	3RD DIGIT ELASTOMERS	4TH DIGIT DISCHARGE HOSE	5TH DIGIT SUCTION TUBE	6TH DIGIT DISCHARGE SPOUT
	P - POLYESTER R - RYTON H - FLUOROPOLYMER	V - GASKET: VITON O-RINGS: VITON VACUUM BREAKER: VITON N - GASKET: CORK/NITRILE O-RINGS: VITON VACUUM BREAKER: VITON E - GASKET: EPDM O-RINGS: EPDM VACUUM BREAKER: EPDM	1 - EPDM W/POLYESTER ELBOW & NOZZLE 2 - NITRILE W/POLYESTER ELBOW & NOZZLE 3 - PVC (Black) W/POLYESTER ELBOW & NOZZLE 4 - CROSS LINKED POLYETHYLENE W/POLYESTER ELBOW & NOZZLE 5 - CROSS LINKED POLYETHYLENE W/FLUOROPOLYMER ELBOW & NOZZLE 6 - EPDM W/FLUOROPOLYMER ELBOW & NOZZLE 7 - NITRILE W/FLUOROPOLYMER ELBOW & NOZZLE 8 - PVC-W/FLUOROPOLYMER ELBOW & NOZZLE	A - POLYESTER SUCTION TUBE B - TEFLON SUCTION TUBE W/FLUOROPOLYMER COUPLING C - UHMW-PE SUCTION TUBE W/FLUOROPOLYMER COUPLING D - PVC FLEXIBLE SUCTION TUBE E - PE, TELESCOPING SUCTION TUBE	M - POLYESTER DISCHARGE SPOUT N - FLUOROPOLYMER DISCHARGE SPOUT



ITEM NO.	PART NO.	DESCRIPTION	QTY.	ITEM NO.	PART NO.	DESCRIPTION	QTY.
1	64-1049 40	KNOB, Polypropylene	1	64-1338 93	PISTON ASSEMBLY, Teflon ring, Fluoropolymer, Viton O-ring	1	
2	64-1050 01	HANDLE, Assembly, Includes Item 1	1	29*	64-1029 72	O-RING, Piston, EPDM	1
3	64-1053	PIN, Clevis, 5/16" x 1 1/8", Plated Steel	1	30	64-1029 73	O-RING, Piston, Viton	1
4	64-1380 90	WASHER, Flat, Nylon	4	64-1028 90	RING, Piston, Teflon, for Polyester Pumps	1	
5	64-1379	CLIP, Hairpin, Plated Steel, Small	2	64-2024 90	RING, Piston, Teflon, for Ryton and Fluoropolymer Pumps	1	
6	64-1027	CLIP, Hairpin, Plated Steel, Large	1	31	64-1056 10	CLAMP, Bung Adapter, Stainless Steel	1
7	64-1031	PIN, CLEVIS, 5/16" x 1 1/4", Plated Steel	2	32*	64-1043 01	ADAPTER, Bung, Assembly, Polyester with Cork-Nitrile Gasket	1
8	64-1052	LINK, Plated Steel	2	64-1201 91	ADAPTER, Bung, Assembly, Fluoropolymer with Buna-N O-ring	1	
9	64-1348 10	SCREW #10-14 x 3/4", Stainless Steel	2	64-1201 92	ADAPTER, Bung, Assembly, Fluoropolymer with EPDM O-ring	1	
10	64-1032 30	PLATE, Retaining, Polyester	1	64-1201 93	ADAPTER, Bung, Assembly, Fluoropolymer with Viton O-ring	1	
11*	64-1032 90	PLATE, Retaining, Fluoropolymer	1	64-0031P	ADAPTER, Buttress/Bung, Assembly, Polypropylene/Polyester, 2" Buttress x 2" NPT, For HP Pumps	1	
11*	64-1030 72	O-RING, Piston Rod, EPDM	1	64-0031R	ADAPTER, Buttress/Bung, Assembly, Polypropylene/Fluoropolymer, 2" Buttress x 2" NPT for HR Pumps	1	
11*	64-1030 73	O-RING, Piston Rod, Viton	1	64-0031 H	ADAPTER, Buttress/Bung, Assembly, Polypropylene/Fluoropolymer, 2" Buttress x 2" NPT, For HH Pumps	1	
14*	64-1040 72	VACUUM BREAKER, EPDM	1	33*	64-1381 90	GASKET, Bung Adapter, Cork-Nitrile	1
14*	64-1040 73	VACUUM BREAKER, Viton	1	64-1822 71	O-RING, Bung Adapter, Buna-N	1	
15	64-1325 30	NOZZLE, No-lead, Polyester	1	64-1822 72	O-RING, Bung Adapter, EPDM	1	
15	64-1325 90	NOZZLE, No-lead, Fluoropolymer	1	64-1822 73	O-RING, Bung Adapter, Viton	1	
16	64-1044 12	CLAMP, Hose, Crimped, Stainless Steel	2	34	64-1007 30	TUBE, Extension, 16 1/2" Long, Polyester	1
17	64-1342 02	HOSE, Discharge Assembly, Black PVC with Polyester Nozzle and Fitting	1	64-1007 50	TUBE, Extension, 16 1/2" Long, UHMW-PE	1	
	64-1342 92	HOSE, Discharge Assembly, Black PVC with Fluoropolymer Nozzle and Fitting	1	64-1007 90	TUBE, Extension, 16 1/2" Long, Teflon	1	
	64-1342 04	HOSE, Discharge Assembly, Black Nitrile with Polyester Nozzle and Fitting	1	35	64-1055 30	COUPLING, 1" NPT, Polyester	1
	64-1342 94	HOSE, Discharge Assembly, Black Nitrile with Fluoropolymer Nozzle and Fitting	1	64-1055 90	COUPLING, 1" NPT, Fluoropolymer	1	
	64-1342 05	HOSE, Discharge Assembly, Red EPDM with Polyester Nozzle and Fitting	1	36	64-1045 30	TUBE, Suction, 16 1/2" Long (for 55 Gal. Drum) Polyester	1
	64-1342 95	HOSE, Discharge Assembly, Red EPDM with Fluoropolymer Nozzle and Fitting	1	64-1045 50	TUBE, Suction, 16 1/2" Long (for 55 Gal. Drum), UHMW-PE	1	
	64-1342 07	HOSE, Discharge Assembly, Cross-linked Polyethylene with Polyester Nozzle and Fitting	1	64-2029 30	TUBE, Suction, 10 1/4" Long (for 30 Gal. Drum), Polyester	1	
	64-1342 97	HOSE, Discharge Assembly, Cross-linked Polyethylene with Fluoropolymer Nozzle and Fitting	1	64-1045 90	TUBE, Suction, 16 1/2" Long (for 55 Gal. Drum), Teflon	1	
18*	64-1204 72	GASKET, Coverplate, EPDM	1	64-0069	TUBE, Suction Flexible, 35" Long, PVC (not shown)	1	
18*	64-1204 73	GASKET, Coverplate, Viton	1	64-0183	TUBE, Suction, Telescoping, Polyethylene -18"-35" Long (not shown)	1	
18*	64-1204 90	GASKET, Coverplate, Cork-Nitrile	1	37	64-1022 30A	HOUSING, Polyester, Red	1
19	64-1209 30A	COVERPLATE, Polyester, Red	1	64-1022 60	HOUSING, Ryton, Black	1	
19	64-1209 60	COVERPLATE, Ryton, Black	1	64-1022 90	HOUSING, Fluoropolymer	1	
19	64-1209 90	COVERPLATE, Fluoropolymer	1	38	64-2022 30	PLUG, Vent, Polyester	1
20	64-1206	SCREW, 1/4-20 x 2", Slotted Hex Washer Head, Plated Steel	11	64-2022 90	PLUG, Vent, Fluoropolymer	1	
	64-1206 10	SCREW, 1/4-20 x 2", Slotted Hex Washer Head, Stainless Steel	11	39	64-2020 30	SPOUT, Polyester	1
21	64-1214 30	ADAPTER, Hose, Polyester 3/4" MNPT x 3/4" Hose Barb 60° Elbow	1	64-2020 90	SPOUT, Fluoropolymer	1	
	64-1214 90	ADAPTER, Hose, Fluoropolymer 3/4" MNPT x 3/4" Hose Barb 60° Elbow	1				
22	64-0721	NUT, Hex, 1/4-20, Plated Steel	11				
	64-0721 10	NUT, Hex, 1/4-20, Stainless Steel	11				
23*	64-1340 02	VALVE ASSEMBLY, Small, Polyester, EPDM	2				
	64-1340 03	VALVE ASSEMBLY, Small, Polyester, Viton	2				
	64-1340 92	VALVE ASSEMBLY, Small, Fluoropolymer, EPDM	2				
	64-1340 93	VALVE ASSEMBLY, Small, Fluoropolymer, Viton	2				
24*	64-1341 02	VALVE ASSEMBLY, Large, Polyester, EPDM	2				
	64-1341 03	VALVE ASSEMBLY, Large, Polyester, Viton	2				
	64-1341 92	VALVE ASSEMBLY, Large, Fluoropolymer, EPDM	2				
	64-1341 93	VALVE ASSEMBLY, Large, Fluoropolymer, Viton	2				
26	64-1038 10	SCREEN, Filter, Stainless Steel	1				
28*	64-1338 02	PISTON ASSEMBLY, Teflon ring, Polyester, EPDM O-ring	1				
	64-1338 03	PISTON ASSEMBLY, Teflon ring, Polyester, Viton O-ring	1				
	64-1338 92	PISTON ASSEMBLY, Teflon ring, Fluoropolymer, EPDM O-ring	1				

*Certain pump parts are available in several materials. Use the first 3 digits of your model number to select the proper "O" rings and gaskets from the following chart.

MODEL	"O" RING	GASKET
POLYESTER	HPV HPN HPE	VITON VITON EPDM
RYTON®	HRV HRN HRE	VITON VITON EPDM
FLUOROPOLYMER	HHV HHE	VITON EPDM

See the model numbering chart on the other side at top of page for other digits in your model number

F.O.B. Northbrook, Illinois

Terms: Net 30 Days

Minimum order \$25.00



SERFILCO, LTD.

1777 Shermer Road Northbrook, IL 60062-5360 U.S.A. 708-559-1777 800-323-5431 FAX: 708-559-1995

DISTRIBUTED BY

EASTERN

WESTERN

• One Lark Avenue 717-656-2161 • 5005 S. Hampton Street 213-588-0801
Leola, PA 17540 FAX: 717-656-0477 Los Angeles, CA 90058 FAX: 213-588-6826