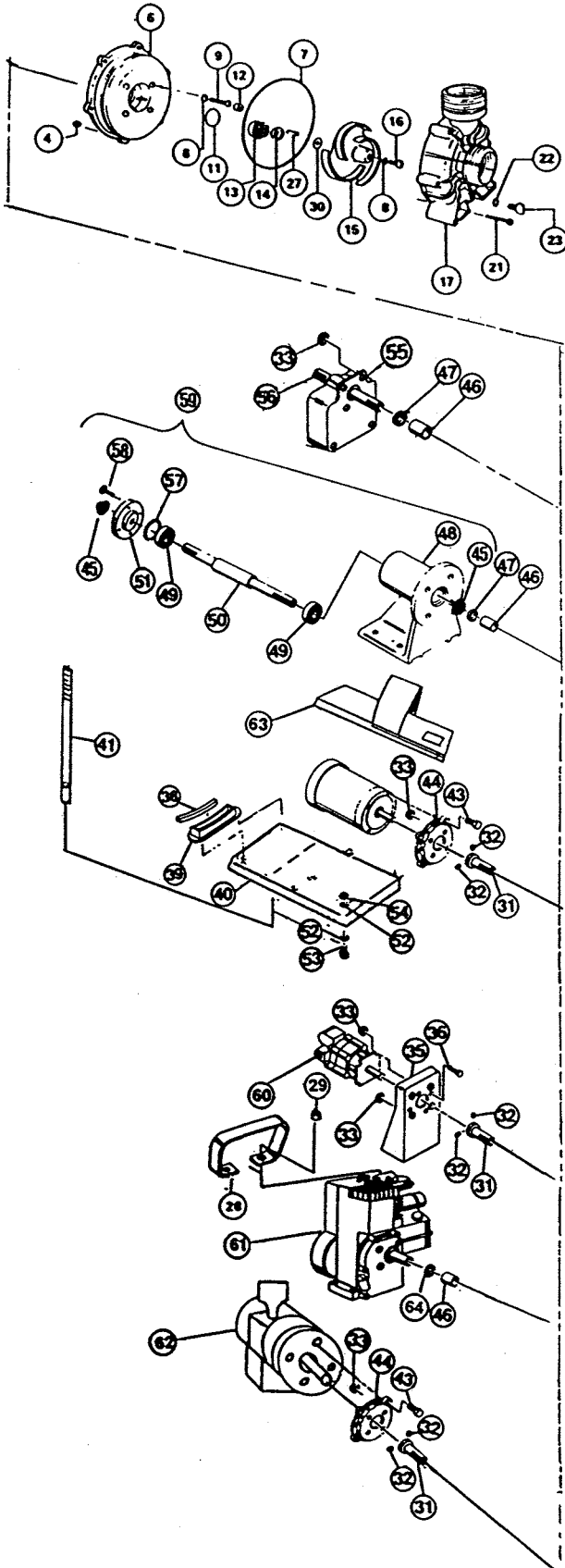




SERIES 'PC' END-SUCTION CENTRIFUGAL PUMPS

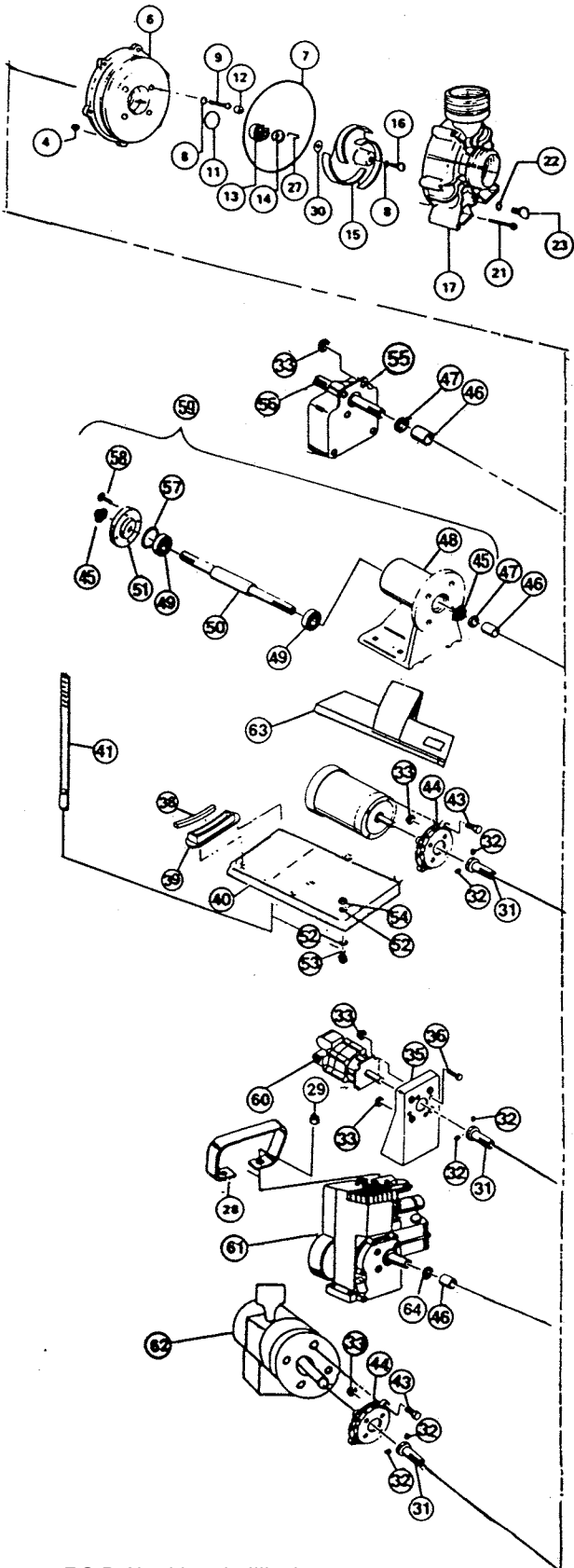
PARTS LIST
P-9960B
SEPT. 1994

Refer to Bulletin P-107, Operation and Service Guide O-1775



ITEM	DESCRIPTION	PART NO.
4	Nut, body, 1/4"-20 Hex Head (6 req'd) - Plated steel - Stainless steel	64-0721 64-0721 10
6	Bracket - Polyester - Polyester w/Buna-N seal half - Polyester w/ EPDM seal half - Polyester w/Viton seal half - Polyester w/Hastelloy seal half - Noryl - Noryl w/Buna-N seal half - Noryl w/EPDM seal half - Noryl w/Viton seal half - Noryl w/ Hastelloy seal half	64-1016 30 64-1016 31 64-1016 32 64-1016 34 64-1016 35 64-1016 20 64-1016 21 64-1016 22 64-1016 24 64-1016 25
7	'O'-ring, volute - Buna-N - EPDM - Viton	64-1316 71 64-1316 72 64-1316 73
8	'O'-ring, screw (5 req'd) - Buna-N - EPDM - Viton	64-0717 71 64-0717 72 64-0717 73
9	Screw, bracket, (4 req'd) For pumps close coupled to engine, cast iron pedestal, 5/16"-24 x 1.25" long - stainless steel - Hastelloy - Titanium For pumps close-coupled to electric, hydraulic or pneumatic motor plastic pedestal mounted, 5/16"-18 x 1.5" long - stainless steel - Hastelloy - Titanium	64-0715 10 64-0715 91 64-0715 93 64-0728 10 64-0728 91 64-0728 93
11	'O'-ring, shaft seal - Buna-N - EPDM - Viton	64-0976 71 64-0976 72 64-0976 73
12	Plug, bracket screw protector (Viton pumps only) (4 req'd)	64-0750 40
13 & 14	Seal, shaft - Buna-N/316SS/carbon/ceramic - EPDM/316SS/carbon/ceramic - (CPI) Viton, w/high grade carb. face, 316 stn.stl.ceramic - Buna-N, 316 stn.stl. silicon carbide - EPDM, 316 stn. stl silicon carbide - EPDM, 316 stn. stl silicon carbide - w/Elgiloy spring/EPDM/polypropylene/carbon-ceramic - w/Elgiloy spring/EPDM/polypropylene/silicon carbide - w/Elgiloy spring/Viton/polypropylene/carbon-ceramic - w/Elgiloy spring/Viton/polypropylene/silicon carbide	64-0714 11 64-0714 12 64-0714 14 64-46250 11 64-46250 12 64-46250 13 64-0891 92 64-0891 92 SC 64-0891 94 64-0891 94SC
15	Impeller - polyester* 3 Vane, open, .535" wide, 4.75" diameter 3 Vane, open, .535" wide, 5.5" diameter 5 Vane, open, .535" wide, 5.5" diameter 5 Vane, open, .535" wide, 5.0" diameter 3 Vane, open, .535" wide, 5.0" diameter 3 Vane, open, .535" wide, 5.25" diameter 4 Vane, open, .975" wide, 4.75" diameter	64-0667 30 64-0698 30 64-0706 30 64-0707 30 64-0708 30 64-0709 30 64-0975 30
16	Screw, impeller, 5/16"-24 x .75" long - stainless steel - Hastelloy C - Titanium	64-0716 10 64-0716 91 64-0716 93
17	Volute, 1 1/2" female, 2" male, NPT - polyester (std.) - Buna-N lined polyester - EPDM lined polyester 1 1/2" female, 2" male, NPT - Noryl (std.) - Buna-N lined Noryl - EPDM lined Noryl 3" male - polyester (std.) - Buna-N lined polyester - EPDM lined polyester 3" male - Noryl (std.) - Buna-N lined Noryl - EPDM lined Noryl	64-1017 30 64-1018 31 64-1018 32 64-1017 20 64-1018 21 64-1018 22 64-1019 30 64-1020 31 64-1020 32 64-1219 20 64-1020 21 64-1022 22
21	Screw Body, 1/4"-20 x 2.375" long, for 1 1/2"/2" pump (6 req'd) - plated steel - stainless steel 1/4"-20 x 2.75" long for 3" pump (6 req'd) - stainless steel - plated steel	64-0720 64-0720 10 64-1386 64-1386 10

*NOTE: If noryl impellers are required, change the second last digit in the part number from 3 to 2



ITEM	DESCRIPTION	PART NO.
22	'O'-ring, drain plug - Buna-N - EPDM - Viton	64-1009 71 64-1009 72 64-1009 73
23	Plug, drain - Noryl - polyester	64-0723 20 64-0723 30
27	Key, 5/16" (.937) long - steel - stainless steel - molded - titanium	64-0718 64-0718 10 64-0718 30 64-0718 93
28	Handle, plated, engine driven pumps only	64-1238
29	Kepnut, 5/16"-18 - plated steel (2 req'd)	64-0745
30	Shim, .007" (as req'd) .015" (as req'd) .030" (as req'd)	64-0778 11 64-0778 12 64-0778 13
31	Adapter, shaft, for close-coupled electric or pneumatic motor .625" bore - stainless steel - Titanium (see section V1B or operator's manual) Adapter, shaft, for hydraulic motor .563" bore - stainless steel	64-1014 10 64-1014 93 64-1165 10
32	Set screw, 1/4"-20 x .25" long (2 req'd)	64-0883
33	Kepnut, 5/16"-18 - plated steel (4 req'd)	64-0745
35	Pedestal, hydraulic motor	64-1011 20
36	Screw for mounting hydraulic motor to pedestal 5/16"-18 x 1.0" long (4 req'd)	64-0729
38	Pad, rubber, saddle	64-1826 71
39	Saddle, electric motor, 6.625" diameter 5.688" diameter	64-1828 90 64-1825 90
40	Baseplate, For pumps close-coupled to motors - plastic	64-1846 40
41	Strap for close-coupled electric motor - stn. steel	64-0934 10
43	Screw, hex head cap 3/8"-16 x 1.25" long (4 req'd)	64-1015
44	Adapter, motor for pumps close-coupled to electric or pneumatic motor	64-1010 20
45	Seal, lip, .110" I.D. - Buna-N (2 req'd)	64-1955 71
46	Shaft sleeve	64-0882 90
47	Slinger - Buna-N	64-0884 71
48	Housing, bearing - cast iron	64-1951 90
49	Bearing ball, .787" I.D. (2 req'd)	64-1954 90
50	Shaft - stainless steel - Hastelloy .75" - Titanium .75"	64-1952 10 64-1952 91 64-1954 93
51	Plate end - stainless steel	64-1953 10
52	Flat washer, .563" - plated steel (2 req'd)	64-0730
53	Screw, plated, 5/16"-18 x 1" (2 req'd)	64-0729
54	Kepnut, 5/16"-18 - plated steel (2 req'd)	64-0745
55	Bearing pedestal - molded plastic	64-0759 20
56	Bearing/shaft assembly, standard w/stainless steel sleeve w/titanium shaft sleeve	64-0777 64-0777 10 64-0777 93
57	Shim, bearing shaft, .006" thick - cast metal pedestal	64-1956 10
58	Screw, Hex, 1/4-20 x 3/4" - stn. steel (4 req'd)	64-2525 10
59	Bearing & Pedestal assembly - with 3/4" stn. steel shaft (includes items 45, 48, 49, 50, 51, 57 & 58) - with 3/4" Hastelloy shaft - with 3/4" Titanium shaft	64-1950 01 64-1950 01H 64-1950 01T
60	Motor, hydraulic	64-0686
61	Engine, B&S 3H.P. recoil start 5 H.P. recoil start	64-0633 64-0635
62	Motor, pneumatic	64-0926
63	Baseplate kit, std. duty, call factory for details for flex coupling to electric motors heavy duty, call factory for details, for flex coupling to electric motors	64-0028 64-0016
64	Gasket, engine protection - EPDM	64-0885 72

F.O.B. Northbrook, Illinois

Terms: Net 30 Days

Minimum order \$50.00



SERFILCO

2900 MacArthur Blvd. 847-509-2900
Northbrook, IL 60062-2005 U.S.A. 800-323-5431
e-mail: sales@serfilco.com FAX: 847-559-1995
www.serfilco.com