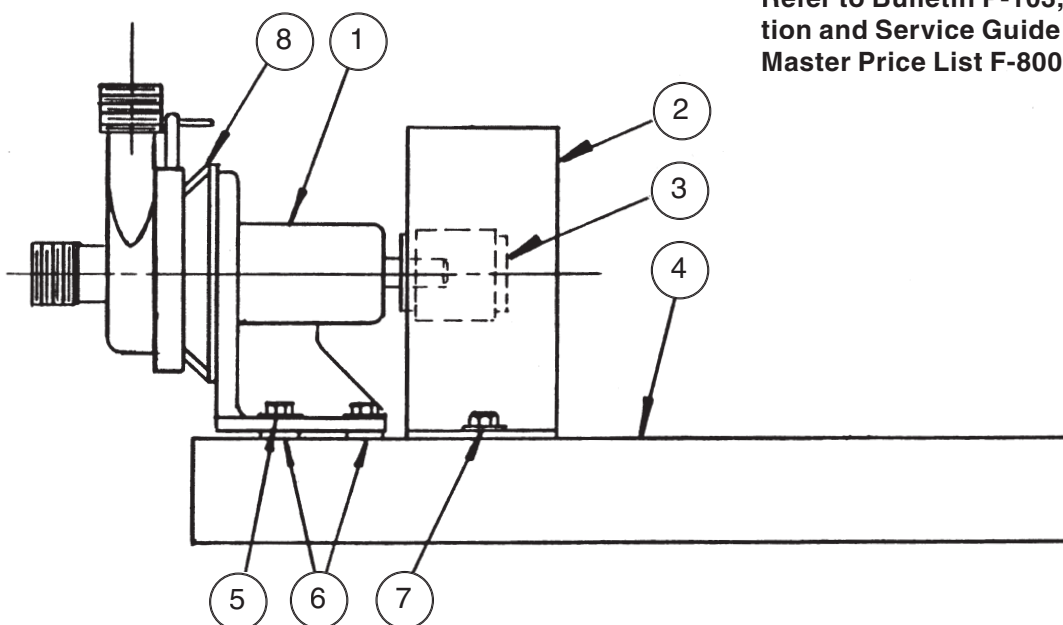




# LONG-COUPLED 'K' PUMP w/CAST IRON BEARING PEDESTAL AND 23½" x 10" x 2¾" FIBERGLASS REINFORCED CHANNEL BASE

MODEL	FRAME	PRICE CODE NOS.
LCK6	56	42-0216
LCK7	143T & 145T	42-0217

Refer to Bulletin P-103, Operation and Service Guide O-810 and Master Price List F-800.



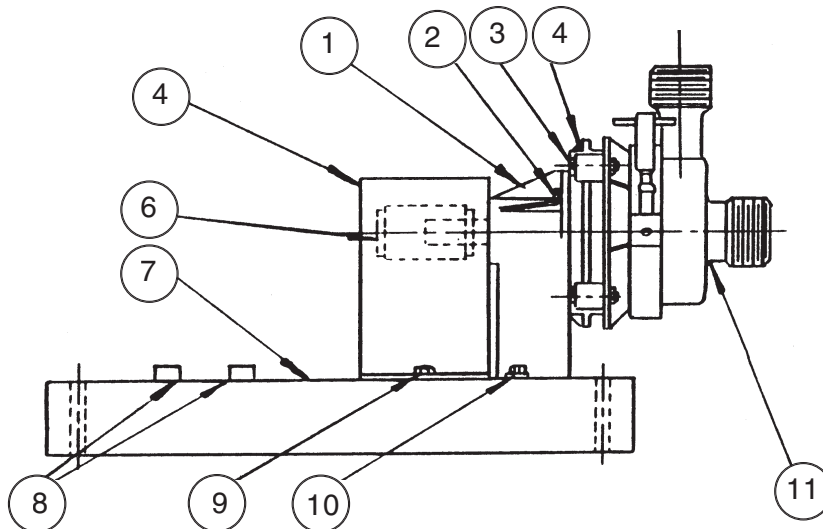
ITEM	DESCRIPTION	PART NO.
1	Cast iron bearing pedestal assembly Includes: Pump shaft adapter - titanium Pedestal shaft - stainless steel Pedestal bearings (2 req'd)	44-5083 44-5081 44-5082 66-1156
2	Coupling guard	77-0232E
3 <sup>1, 2</sup>	Flexible coupling assembly 56 frame 143T, 145T, 182 or 184 frame 182T, 184T frame	99-0372 99-0373 99-0374
4	Mounting base, fiberglass reinforced polyester	77-0880
5	Hex head bolt, 3/8"-16 x 2" - stainless steel (4 req'd) Hex nut, 3/8"-16 - stainless steel (4 req'd) Washer, 3/8" size - stainless steel (4 req'd) Lockwasher, 3/8" size - stainless steel (4 req'd)	11-0379 11-0105 11-0126 11-0140
6 <sup>1</sup>	Spacer - CPVC 56, 143T or 145T frame (4 req'd) 182, 182T, 184 or 184T frame (4 req'd)	44-3938 44-3937
7	Hex head bolt, ¼"-20 x 1 ¼" - stainless steel (2 req'd) Hex nut, ¼" -20 - stainless steel (2 req'd) Washer, ¼" size - stainless steel (2 req'd) Lockwasher, ¼" size - stainless steel (2 req'd)	11-0136 11-0107 11-0121 11-0322
8	Series 'K' Kynar chemical pump See Parts List P-7100	

<sup>1</sup> Specify motor frame size when ordering.

<sup>2</sup> Recommended Spare Parts.

# LONG-COUPLED 'K' PUMP w/PLASTIC BEARING PEDESTAL AND 23½ x 10" x 2¾" FIBERGLASS REINFORCED CHANNEL BASE

MODEL	FRAME	PRICE CODE NOS.
LCK6	56	42-0207A
LCK7	143T & 145T	42-0208A



ITEM	DESCRIPTION	PART NO.
1	Plastic bearing pedestal assembly Includes: Pump shaft adapter - titanium Pedestal shaft bearing assembly	44-5089 44-5087 44-5085
2	Hex head bolt, 3/8"-16 x 1" - stainless steel (4 req'd) Hex nut, 3/8"-16 - stainless steel (4 req'd) Washer, 3/8" size - stainless steel (4 req'd)	11-0375 11-0105 11-0126
3 <sup>1</sup>	Hex head bolt, 3/8"-16 x 1½" - stainless steel (4 req'd) Hex nut, 3/8"-16 - stainless steel (4 req'd) Washer, 3/8" size - stainless steel (4 req'd)	11-0444 11-0105 11-0126
4	"C" Face adapter	44-4342
5	Coupling guard	77-0232F
6 <sup>1, 2</sup>	Flexible coupling assembly 56 frame 143T, 145T, 182, 184 frame 182T, 184T frame	99-0372 99-0373 99-0374
7	Mounting base - fiberglass reinforced polyester	77-0880
8 <sup>1</sup>	Spacer - CPVC 56, 143T, or 145T frame (4 req'd) 182, 182T, 184 or 184T frame (2 req'd)	44-3945 44-3937
9	Hex head bolt, ¼"-20 x 1¼" - stainless steel (2 req'd) Hex nut, ¼"-20 - stainless steel (2 req'd) Washer, ¼" size - stainless steel (2 req'd) Lockwasher, ¼" size - stainless steel (2 req'd)	11-0136 11-0107 11-0121 11-0322
10	Hex head bolt, 5/16"-18 x 1" - stainless steel (2 req'd) Hex nut, 5/16"-18 - stainless steel (2 req'd) Washer, 5/16" size - stainless steel (2 req'd) Lockwasher, 5/16" size - stainless steel (2 req'd)	11-0112 11-0354 11-0122 11-0355
11	Series "K" Kynar chemical pump, See Parts List P-7100	

<sup>1</sup> Specify motor frame size when ordering.

<sup>2</sup> Recommended Spare Parts.

