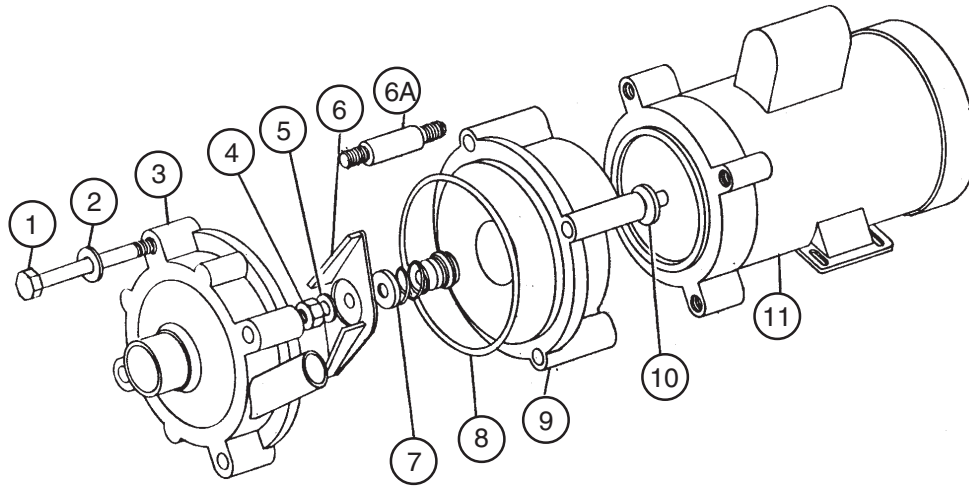




# SERIES 'N' NORYL® CHEMICAL PUMP

PARTS LIST  
P-9800E  
DEC. 1996



Refer to Bulletin P-104,  
Operation and Service Guide O-1000  
and Master Price List F-800.

ITEM	DESCRIPTION	PART NO.	
1	Hex head cap screw - stainless steel 3/8"-16 x 3-1/2" long for 3/4" x 1/2" pump (4 req'd) 3/8"-16 x 3-3/4" long for 1-1/2" x 1" pump (4 req'd)	11-0703	
		11-0704	
2	Flat washer, 3/8" size - stainless steel (4 req'd)	11-0126	
3	Suction casing - Noryl (See charts on pg. 2)		
4	Impeller nut, 7/16"-20 - 18-8 stainless steel (w/Buna) - 316 stainless steel (w/Viton)	11-0563	
		11-0654	
5	Flat washer, 7/16" size - 18-8 stainless steel - 316 stainless steel	11-0564	
		11-0655	
6	Impeller, Noryl, (See charts on page 2)		
6A	Titanium shaft adapter	44-5087	
7	Mechanical seal - Buna N, 304 stainless steel, carbon & ceramic - Ethylene propylene, 304 stn. steel, carbon & ceramic - Viton, 316 stainless steel, carbon & ceramic	55-0495	
		55-0478	
		55-0498	
8	"O"-ring - Buna N - Ethylene propylene - Viton	22-0682	
		22-0681	
		22-0693	
9	Motor connecting bracket - Noryl	44-1925	
10	Slinger washer - Neoprene	55-0157	
11	Motor, Nema 56J "C" face 3450 RPM TEFC - 115/230/1/60 0.33 HP 0.50 0.75 1.00 1.50 2.00 TEFC - 208-220-440/3/60 - 208-220-440/3/60 0.50 0.75 1.00 1.50 2.00		<b>MOTOR FOR SHAFT ADAPTER</b>
		44-4047	44-4047-1
		44-4048	44-4048-1
		44-4017	44-4017-1
		44-4018	44-4018-1
		44-4019	44-4019-1
		44-4049	44-4049-1
		44-4059	44-4059-1
		44-4024	44-4024-1
		44-4029	44-4029-1
		44-4028	44-4028-1
		44-4022	44-4022-1

To determine part number for impeller or suction casing:

1. Locate pump model and corresponding flow curve letter.
2. Find impeller or suction casing Part Number according to flow curve letter.
3. If pump model number is not known, measure diameter of impeller and discharge throat diameter of suction casing. Find part numbers according to measurements.

**IMPELLER**

PUMP MODEL	FLOW CURVE
1-1/2 x 1N1	A
1-1/2 x 1N2	B
1-1/2 x 1N3	C
1-1/2 x 1N4	D
1-1/2 x 1N5	E
1-1/2 x 1N6	F
1-1/2 x 1N7	G
1-1/2 x 1N8	H
1-1/2 x 1N9	J

MODEL 1-1/2 x 1N		
FLOW CURVE	DIAMETER (In)	PART NO.
A, C	3.00	44-1926-1
B, D	3.50	44-1926-2
F, H	4.00	44-1926-3
E, G, J	4.31	44-1926-4

**SUCTION CASING**

MODEL 1-1/2 x 1N		
FLOW CURVE	THROAT DIAMETER (In)	PART NO.
E	.41	44-1928-1
B	.44	44-1928-2
A, F, G,	.50	44-1928-3
C, D, H, J	.62	44-1928-4

NOTE: Always specify pump model and serial number when ordering replacement parts

