

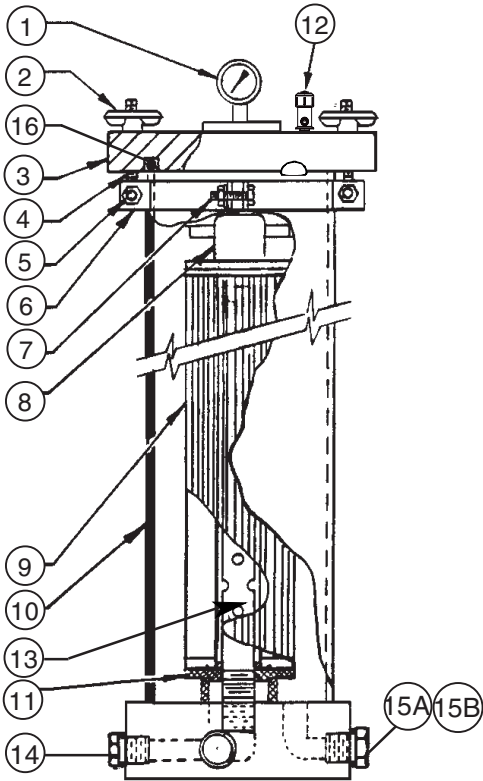


SERIES 'S-640' FILTER CHAMBER

PARTS LIST
P-9500F
APRIL 2002

MODEL	PRICE CODE NUMBER
CL640S-1"-G3 PL640S-1"-G3	78-0320 78-0320P
CL640S-1¼"-G3 PL640S-1¼"-G3	78-1265 78-1265P
For Viton, change L to V in model, add V to PCN (L = EPDM)	

Refer to Bulletin C-110, Operation and Service Guide O-889 and Master Price List F-800.



FLOW RATE vs. PRESSURE DIFF.		
CONN.	@ 5 PSI	@ 15 PSI
1"	30 GPM 114 LPM	58 GPM 220 LPM
1¼"	32 GPM 121 LPM	68 GPM 257 LPM

MAX. PRESSURE AT OPERATING TEMP.				
TEMP.	PL		CL	
	with ¹ cover plate	w/o cover plate	with ¹ cover plate	w/o cover plate
70°F	135	100	135	100
100°F	100	85	110	85
120°F	65	55	90	65
140°F	35	30	70	50
170°F	-	-	45	30
200°F	-	-	25	20

¹ Cover plate optional.

ITEM	DESCRIPTION	PART NO.
1	Type G3-gauge guard assembly Refer to Parts List P-2300	99-0732
2	Tee handle 3/8"-16 (4 req'd)	11-0265
3	Cover -CPVC	88-0387
3A	Cover reinforcing plate (not shown)	88-0597 1
4	Swing bolt, 3/8"-16 x 3½" long - stainless steel (4 req'd)	11-0497 1
5	Self locking nut, 3/8"-16 - stainless steel Hex bolt, 3/8"-16 x 1½" - stainless steel (4 req'd)	11-0519 11-0444 1
6	Swing bolt bracket - vinyl coated steel	88-0596
7	Hex bolt, ¼"-20 x 1¼" - stainless steel Flat washer, ¼" size - stainless steel Lockwasher, ¼" size - stainless steel Hex nut, ¼"-20 - stainless steel	11-0390 11-0121 11-0322 11-0107
8	Cap assembly - CPVC	88-1154
9	Order separately: Pleated paper filter cartridge, 4" dia. x 36" lg. (See Bulletin M-206) or (2) Maxi-Wind filter cartridges, 4" dia. x 18" lg. (See Bulletin M-109 for material and micron)	PL436-2-4
10	Shell & base assembly- CPVC base w/CPVC shell, 1" ports w/PVC shell, 1" ports w/CPVC shell, 1¼" ports w/PVC shell, 1¼" ports	88-1029 88-1029 1 88-3332 88-3332 1
11	Cartridge support assembly - CPVC	88-1153
12	Vent valve, ¼" NPT - polypropylene "O"-ring - EPDM (std.) - Viton (opt.)	33-8108 PP 22-0870 22-0870 V
13	Dispersion tube	88-1155
14	Plug ½" NPT - CPVC - EPDM "O"-ring only (std.) - Viton "O"-ring only (opt.)	33-0866 22-0569 22-0568
15A	Plug 1" NPT- CPVC (1" base only) - EPDM "O"-ring only - Viton "O"-ring only	33-0212 22-0605 22-0604
15B	Cap, 1¼" - FNPT (1¼" base only)	33-0876
16	"O"-ring - EPDM (std.) - Viton (opt.)	22-0365 22-0360
17	Vent valve hose 8' (not shown)	22-0913
17A	Hose clamp (not shown)	22-0912

F.O.B. Northbrook, Illinois

Terms: Net 30 Days

Minimum order \$25.00

SERFILCO®, LTD.

2900 MacArthur Blvd. 847-509-2900
Northbrook, IL 60062-2005 U.S.A. 800-323-5431
e-mail: sales@serfilco.com FAX: 847-559-1995
www.serfilco.com

WESTERN
310-532-0801
FAX: 310-532-0866