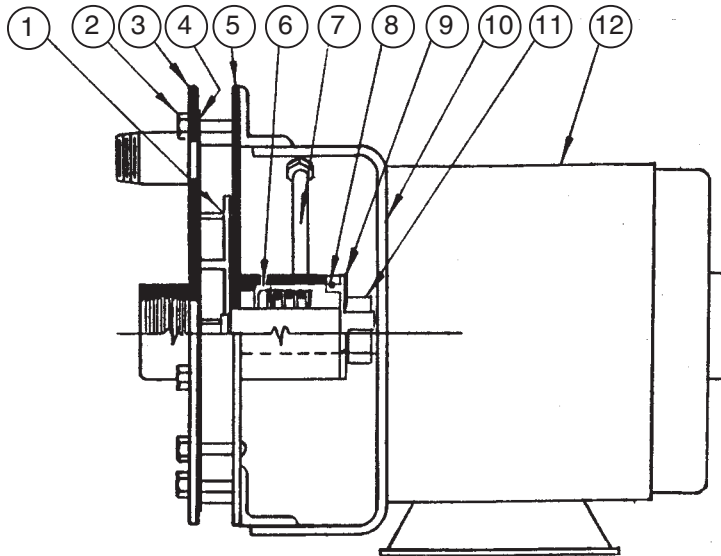


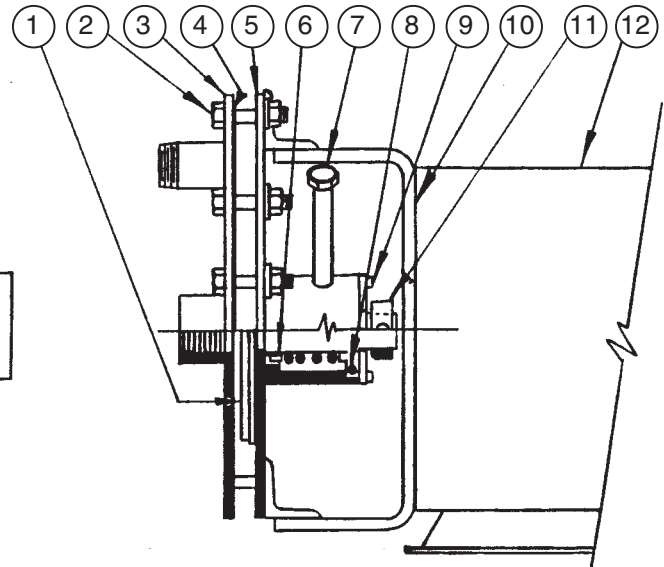


SERIES 'BSS' STAINLESS STEEL CENTRIFUGAL PUMP

Refer to Bulletin P-101, Operation and Service Guide
O-1350 and Master Price List F-800.



BSS1" x 1/2"
BSS1-1/4" x 1"



BSS2" x 1-1/2"

ITEM	DESCRIPTION	PART NO.		
		1" x 1/2"	1-1/4" x 1"	2" x 1-1/2"
1	Impeller - stainless steel	44-0008	44-0010	44-0011
2	Machine screw, 5/16"-18 x 1 1/4" long - stainless steel (12 req'd)	11-0363		-
	Lockwasher, 5/16" size - stainless steel (12 req'd)	11-0355		
	Hex head bolt, 5/16"-18 x 2" long - stainless steel (12 req'd)	-	-	11-0439
	Hex nut, 5/16"-18 - stainless steel (12 req'd)	-	-	11-0104
3	Suction and discharge plate - stainless steel	44-0023	44-0024	44-0025
4	Gasket - plant fiber	44-1882		44-1885
5	Impeller housing - stainless steel	44-0015	44-0016	44-0017
6	Double seal - Viton, ceramic & graphite	44-0290		44-1883
7	Filler plug & air dome	44-0013		
8	"O"-ring - Viton	44-0291		44-1884
9	Cover seal housing - stainless steel	44-0006		44-0007
	Fillister head machine screw 8"-32 x 3/8", - cad plated steel (2 req'd)	11-0517		
10	Support bracket - carbon steel	44-0004		44-0005
11	Set collar - cad plated steel	44-0009		44-0012
12	Motor only			
	TEFC 1/3 HP - 115-208-230/1/60	44-0063	-	-
	1/2 HP - 230-460/3/60	44-0064	-	-
	3/4 HP - 230-460/3/60	-	44-0065	-
	2 HP - 230-460/3/60	-	-	44-0066
	EXP 1/2 HP - 230-460/3/60	44-0046	-	-
	3/4 HP - 230-460/3/60	-	44-0047	-
	2 HP - 230-460/3/60	-	-	44-0048