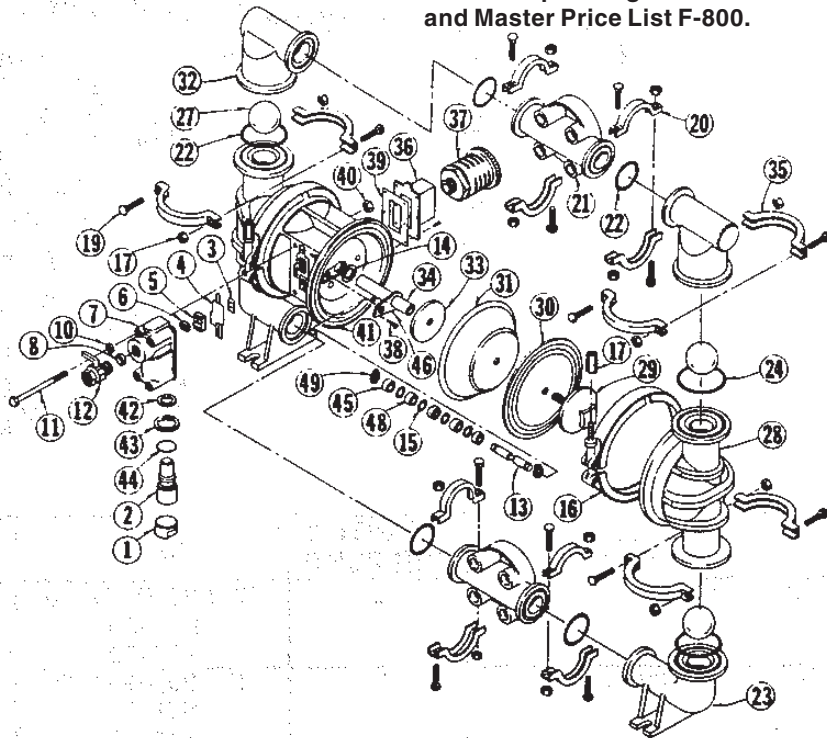




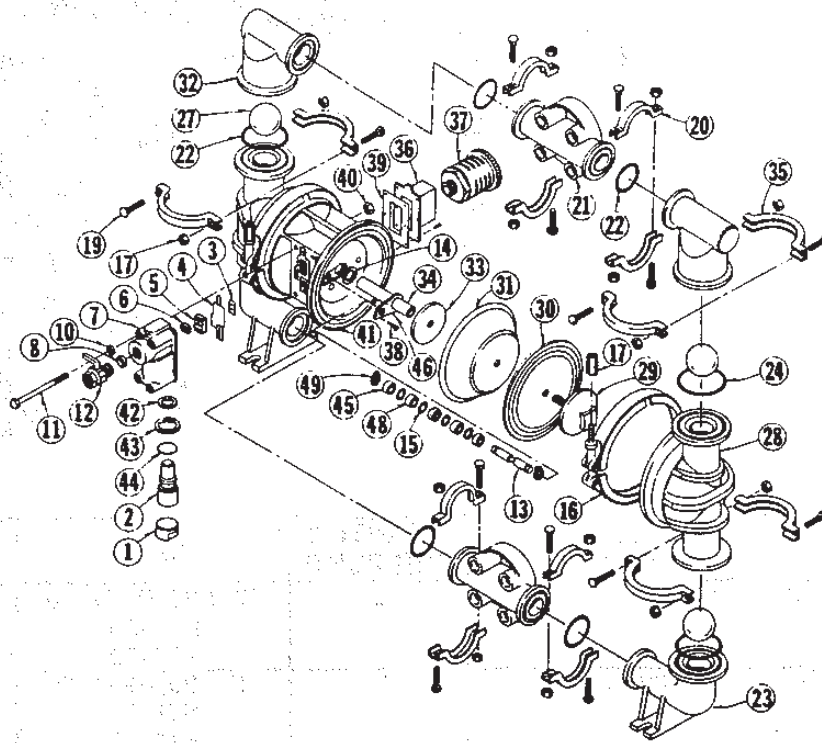
2" AIR DIAPHRAGM PUMP w/Self-lubricating air valve assembly

Refer to Operating Instructions O-1235
and Master Price List F-800.

MODELS	PRICE CODE NOS.
PPN-2"	55-7208
PPTF-2"	55-7209
NTF-2"	55-7210
KTF-2"	55-7211



ITEM	DESCRIPTION	QUANTITY PER PUMP	MODEL	MATERIAL	PARTNUMBER
1	Air valve end plug	1	PPN, PPTF, KTF-20 NTF-20	Polypropylene Nylon	71-1703-60 71-1703-43
2	Air valve spool	1	ALL 2"	Acetal	71-0406-31
3	Gasket (Inner)	1	ALL 2"	Buna	71-2106-11
4	Gasket (Outer)	1	ALL 2"	Buna	71-2107-11
5	Valve plate	1	ALL 2"		71-0404-04
6	Shuttle valve	1	ALL 2"		71-0405
7	Air valve body	1	PPN, PPTF, KTF-20 NTF-20	Polypropylene Nylon	71-1606-60 71-1606-43
8	Air inlet filter	1	ALL 2"	Bronze	71-3601
10	Lock washer (1/4)	4	ALL 2"	Stainless steel	71-2300-26
11	Cap screw (1/4 x 6")	4	PPN-20, NTF-20 PPTF-20, KTF-20	Plated steel Stainless steel	71-2515-25 71-2515-26
12	Air flow central valve	1	ALL 2"	Brass	71-3401-30
13	Pilot spool	1	ALL 2"	Acetal	71-0102-31
14	Lip seal, Diaphragm Rod	2	ALL 2"	Buna-N	71-2004-11
15	"O"-ring, pilot spool spacer	2	ALL 2"	Urethane	71-1914-16
16	Clamp set (2 halves) Pumping Chamber	2	ALL 2"	Stainless steel	71-2904-26
17	Hex nut, 5/16 x 18	8	ALL 2"	Stainless steel	71-2601-26
19	Cap screw, 5/16 x 1-3/4"	16	ALL 2"	Stainless steel	71-2509-26
20	Clamp set (2 halves) Manifold - Elbow	2	ALL 2"	Stainless steel	71-2901-26
21	Manifold	2	PPN-20, PPTF-20 NTF-20 KTF-20	Polypropylene Nylon PVDF	71-0507-57 71-0507-47 71-0507-56
22	"O"-ring Manifold to Elbow	4	PPN-20 PPTF, NTF, KTF-20	Buna-N Teflon	71-1917-11 71-1917-17
23	Suction elbow	2	PPN-20, PPTF-20 NTF-20 KTF-20	Polypropylene Nylon PVDF	71-0802-57 71-0802-47 71-0802-56
24	"O"-ring Elbow to chamber	4	PPN-20 PPTF, NTF, KTF-20	Buna-N Teflon	71-1918-11 71-1918-17
27	Ball, Buna-N Buna-N, heavier weighted Teflon	4	PPN-20 High viscosity PPTF, NTF, KTF-20	Buna-N Buna-N Teflon	71-1004-21 71-1004-22 71-1004-45



ITEM	DESCRIPTION	QUANTITY PER PUMP	MODEL	MATERIAL	PART NUMBER
28	Outer chamber	2	PPN-20, PPTF-20 NTF-20 KTF-20	Polypropylene Nylon PVDF	71-0703-57 71-0703-47 71-0703-56
29	Outer diaphragm plate	2	PPN-20, PPTF-20 NTF-20 KTF-20	Polypropylene Nylon PVDF	71-1203-57 71-1203-47 71-1203-56
30	Teflon overlay	2	PPTF, NTF, KTF-20	Teflon	71-1403-59
31	Diaphragm		PPN-20 PPTF, NTF, KTF-20	Buna-N Hytrel	71-0603-19 71-0603-18
32	Discharge elbow	2	PPN-20, PPTF-20 NTF-20 KTF-20	Polypropylene Nylon PVDF	71-1302-57 71-1302-47 71-1302-56
33	Inner diaphragm plate	2	ALL 2"	Aluminum	71-1103-20
34	Diaphragm rod	1	ALL 2"	Stainless steel	71-0302-26
35	Clamp set (2 halves) Elbow-chamber	4	ALL 2"	Stainless steel	71-2900-26
36	Muffler plate	1	PPN-20 PPTF-20 NTF-20 KTF-20	Polypropylene Polypropylene Nylon Polypropylene	71-3107-40 71-3107-60 71-3107-43 71-3107-53
37	Muffler	1	ALL 2"		71-3001
38	Screw, #6 x 3/4	12	ALL 2"	Stainless steel	71-2510-26
39	Gasket, muffler plate	1	ALL 2"	Fiber	71-2108-10
40	Hex nut, 1/4-20	4	PPN-20, NTF-20 PPTF-20, KTF-20	Plated steel Stainless steel	71-2600-25 71-2600-26
41	Intermediate	1	PPN, PPTF, KTF-20 NTF-20	Polypropylene Nylon	71-1511-60 71-1511-43
42	Air valve lip seal, upper	1	ALL 2"	Buna-N	71-2002-11
43	Air valve lip seal, lower	1	ALL 2"	Buna-N	71-2003-11
44	"O"-ring (valve end plug)	1	ALL 2"	Buna-N	71-1913-11
45	End spacer, Pilot	2	ALL 2"	Polypropylene	71-0202-40
46	Retaining plate	2	ALL 2"	Polypropylene	71-2706-40
48	Inner spacer, Pilot	3	ALL 2"	Polypropylene	71-0201-40
49	Snap ring (pilot spool)	2	ALL 2"	Plated steel	71-2707-25

OPTIONAL ASSEMBLIES (for pumps with self-lubricating air valves)					
	Air valve assembly (Items 1-9, 42-44)	1	PPN, PPTF, KTF-20 NTF-20	Polypropylene Nylon	71-2600-60 71-2600-43
	Pilot spool assembly (Items 13, 15, 45, 48, 49)	1	ALL 2"	Various	71-2900-00

NOTE: Air valve and pilot spool components may be purchased in assembly if desired.