

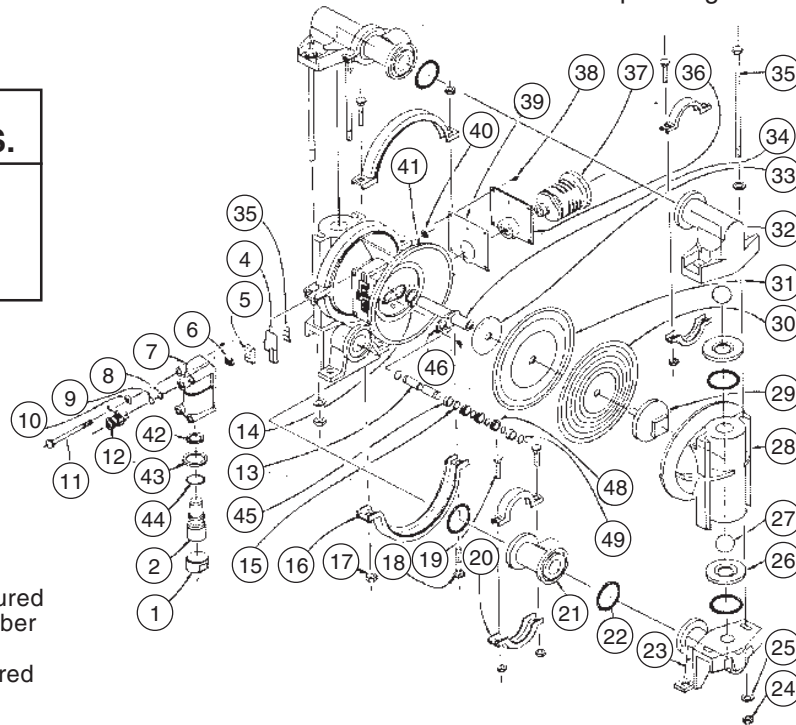


1" AIR DIAPHRAGM PUMP w/Self-lubricating air valve assembly

PARTSLIST
P-9175A
JUNE 1992

Refer to Operating Instructions O-1230.

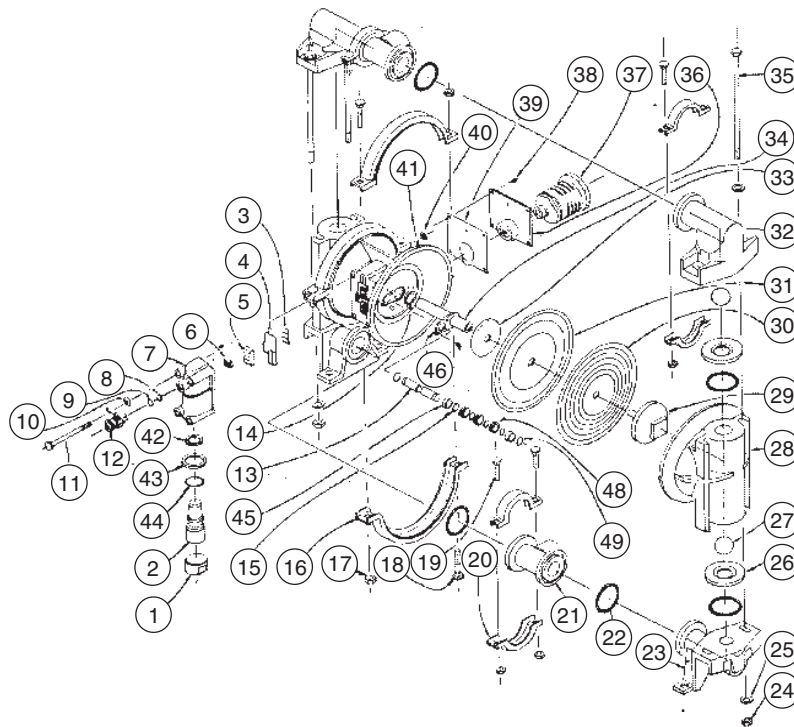
MODELS	PRICE CODE NOS.
PPN-1"	55-7144A
PPTF-1"	55-7145A
NTF-1"	55-7146A
KTF-1"	55-7147A



This Parts List is for pumps manufactured after June, 1990 with Price Code Number suffix "A".

Consult factory for pumps manufactured prior to this date.

ITEM	DESCRIPTION	QUANTITY PER PUMP	MODEL	MATERIAL	PART NUMBER
1	Air valve end plug	1	PPN, PPTF, KTF NTF	Polypropylene Nylon	71-1703-60 71-1703-43
2	Air valve spool	1	ALL	Acetal	71-0401-31
3	Gasket, inner	1	ALL	Buna-N	71-2103-11
4	Gasket, outer	1	ALL	Buna-N	71-2104-11
5	Valve plate	1	ALL		71-0403
6	Shuttle valve	1	ALL		71-0402
7	Air valve body	1	PPN, PPTF, KTF NTF	Polypropylene Nylon	71-1604-60 71-1604-43
8	Air inlet filter	1	ALL	Bronze	71-3600
9	"O"-ring (air inlet filter)	1	ALL	Buna-N	71-1916-11
10	Lock washer, 1/4"	4	ALL	Stainless steel	71-2300-26
11	Cap screw, 1/4" x 4-1/2"	2	PPN, NTF PPTF, KTF	Plated steel Stainless steel	71-2512-25 71-2512-26
12	Air flow control valve	1	ALL	Brass	71-3400-30
13	Pilot spool	1	ALL	Acetal	71-0101-31
14	Lip seal	2	ALL	Buna-N	71-2001-11
15	"O"-ring (pilot spool spacer)	2	ALL	Urethane	71-1914-16
16	Clamp set (2 halves)	2	ALL	Stainless steel	71-2902-26
17	Hex nut, 5/16-18	8	ALL	Stainless steel	71-2601-26
18	Cap screw, 5/16 x 2"	4	ALL	Stainless steel	71-2504-26
19	Cap screw, 5/16 x 1-3/4"	4	ALL	Stainless steel	71-2509-26
20	Clamp set manifold (2 halves)	2	ALL	Stainless steel	71-2903-26
21	Manifold, single	2	PPN, PPTF NTF KTF	Polypropylene Nylon PVDF	71-0506-57 71-0506-47 71-0506-56
22	"O"-ring (valve seat and manifolds) KTF (suction manifolds) KTF (all other)	8 2 6	PPN PPTF, NTF KTF KTF	Buna-N Teflon Teflon Teflon	71-1910-11 71-1910-17 71-1910-17 71-1912-17
23	Suction elbow	2	PPN, PPTF NTF KTF	Polypropylene Nylon PVDF	71-0801-57 71-0801-47 71-0801-56
24	Hex nut, 3/8-16	4	PPN, NTF PPTF, KTF	Plated steel Stainless steel	71-2602-25 71-2602-26
25	Flat washer, 3/8"	8	PPN, NTF PPTF, KTF	Plated steel Stainless steel	71-2303-25 71-2303-26
26	Valve seat	4	PPN, PPTF NTF KTF	Polypropylene Nylon PVDF	71-0901-57 71-0901-47 71-0901-56



ITEM	DESCRIPTION	QUANTITY PER PUMP	MODEL	MATERIAL	PART NUMBER
27	Ball (Buna-N) (Buna-N, heavier weight) (Teflon)	4	PPN HIGH VISCOSITY PPTF, NTF, KTF	Buna-N Buna-N Teflon	71-1002-21 71-1002-22 71-1002-45
28	Outer chamber	2	PPN, PPTF NTF KTF	Polypropylene Nylon PVDF	71-0702-57 71-0702-47 71-0702-56
29	Outer diaphragm plate	2	PPN, PPTF NTF KTF	Polypropylene Nylon PVDF	71-1202-57 71-1202-47 71-1202-56
30	Teflon overlay	2	PPTF, NTF, KTF	Teflon	71-1402-59
31	Diaphragm		PPN PPTF, NTF, KTF	Buna-N Santoprene	71-0602-19 71-0602-23
32	Discharge elbow	2	PPN, PPTF NTF KTF	Polypropylene Nylon PVDF	71-1301-57 71-1301-47 71-1301-56
33	Inner diaphragm plate	2	ALL	Plated steel	71-1102-25
34	Diaphragm rod	1	ALL	Stainless steel	71-0301-26
35	Cap screw, 3/8 x 9"	4	PPN, NTF PPTF, KTF	Plated steel Stainless steel	71-2508-25 71-2508-26
36	Muffler plate	1	PPN PPTF NTF KTF	Polypropylene Polypropylene Nylon Polypropylene	71-3102-44 71-3102-41 71-3102-43 71-3102-63
37	Muffler	1	ALL		71-3001
38	Screw, #6 x 3/4"	10	PPN, NTF PPTF, KTF	Plated steel Stainless steel	71-2510-25 71-2510-26
39	Gasket (muffler plate)	1	ALL	Fiber	71-2102-10
40	Hex nut, 1/4-20	4	PPN, NTF PPTF, KTF	Plated steel Stainless steel	71-2600-25 71-2600-26
41	Intermediate	1	PPN, PPTF, KTF NTF	Polypropylene Nylon	71-1507-60 71-1507-43
42	Air valve lip seal, upper	1	ALL	Buna-N	71-2002-11
43	Air valve lip seal, lower	1	ALL	Buna-N	71-2003-11
44	"O"-ring (valve end plug)	1	ALL	Buna-N	71-1913-11
45	End spacer, pilot	2	ALL	Polypropylene	71-0202-40
46	Retaining plate	2	ALL	Polypropylene	71-2705-40
48	Inner spacer, pilot	3	ALL	Polypropylene	71-0201-40
49	"O"-ring (pilot spool stop)	2	ALL	Buna-N	71-1915-11

OPTIONAL ASSEMBLIES (for pumps with self-lubricating air valves)

Air valve ass'y. (Items 1-9, 42-44)	1	PPN, PPTF, KTF NTF	Polypropylene Nylon	72-5000-60 72-5000-43
Pilot spool ass'y. (Items 13, 15, 45, 48, 49)	1	ALL	Various	72-8000

F.O.B. Northbrook, Illinois

Terms: Net 30 Days

Minimum order \$25.00

SERFILCO, LTD.

1777 Shermer Road Northbrook, IL 60062-5360
 708-559-1777 U.S.A. 800-323-5431
 Telex: 289557 SERFC UR FAX: 708-559-1995

EASTERN 717-656-2161
WESTERN 213-588-0801
 FAX: 717-656-0477 FAX: 213-588-6826