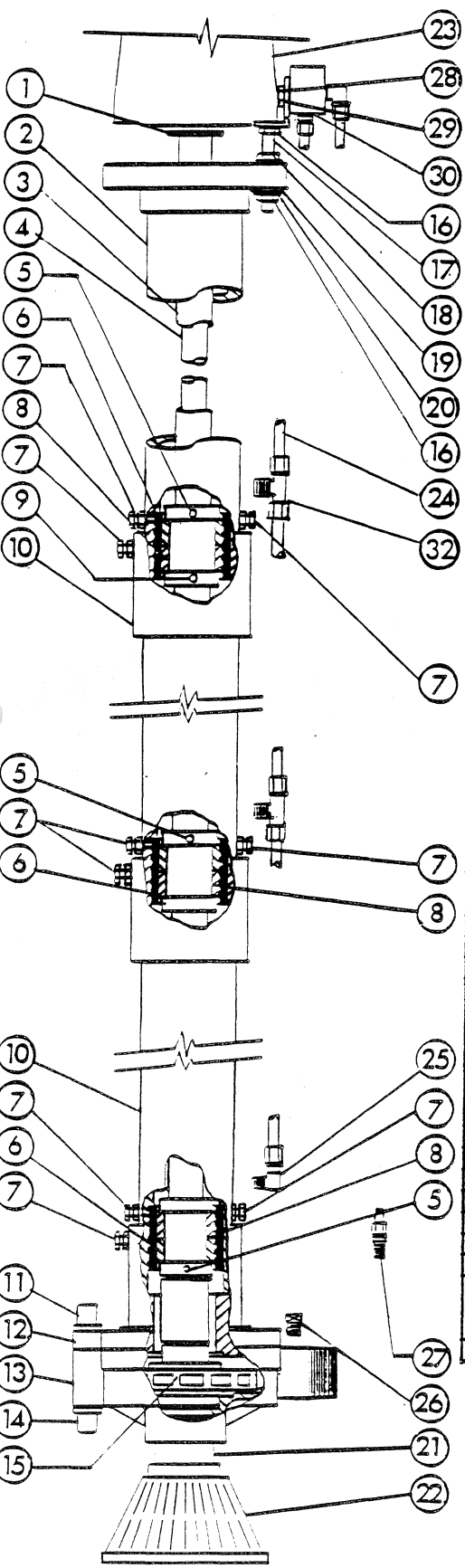


ALL-PLASTIC SUMP PUMP

SERIES "HB" - 3450 RPM



Refer to Master Price List F-800

ITEM NO.	DESCRIPTION	LENGTH OF PUMP	PART NO.	
			2 FT.	3 FT.
1	Slinger washer, Neoprene		55-0140	55-0140
2	Column - mounting flange, CPVC		43-0011-1	43-0011-2
3	Drive shaft sleeve, CPVC		43-0006-2	43-0006-3
4	Drive shaft		43-0004-2	43-0004-3
5	Set collar, CPVC		44-1621	44-1621
	Set screw, 1/4-20 x 1/4" long Titanium, (Std)		11-0476	11-0476
	" " 1/4-20 x 1/4" " Hastelloy C		11-0681	11-0681
6	Casing liner, Ceramic		44-1032	44-1032
7	Hex bolt, Titanium (Standard)		33-0044	33-0044
	" " Hastelloy C		11-0459	11-0459
	Lock nut, Titanium (Standard)		11-0334	11-0334
	" " Hastelloy C		11-0458	11-0458
* 8	Ring, 2 req'd. per liner, (Glass Filled Teflon)		44-1118	44-1118
	" 2 " " " Nickel Alloy Graphite		44-1039	44-1039
9	Bushing, CPVC		-	-
	Set screw, 1/4-20 x 1/4" long Titanium, (Std)		-	-
	" " 1/4-20 x 1/4" long Hastelloy C		-	-
10	Pump column, CPVC		-	-
			-	-
11	Cap nut, CPVC		44-2682	44-2682
	"O" ring, Ethylene propylene (STD)		22-0569	22-0569
	"O" ring, Viton A		22-0568	22-0568
* 12	Column support casing		43-0013	43-0013
	"O" ring - Ethylene propylene (STD)		22-0545	22-0545
	"O" ring - Viton A		22-0544	22-0544
13	Suction casing, CPVC		43-0001	43-0001
* 14	Cap nut stud, CPVC and Stainless steel		44-3197	44-3197
	"O" ring - Ethylene propylene (STD)		22-0569	22-0569
	"O" ring - Viton A		22-0568	22-0568
15	Impeller - coupling, CPVC			
	- 3-1/2" diameter		43-0003-1	43-0003-1
	- 3-7/8" "		43-0003-2	43-0003-2
	- 4-3/8" "		43-0003-3	43-0003-3
	- 5" "		43-0003-4	43-0003-4
	- 5-1/2" "		43-0003-5	43-0003-5
16	Hex nut, 3/8-16, Stainless steel		11-0105	11-0105
17	Stud, 3/8-16 x 5-1/2" long, Stainless steel		11-0160	11-0160
18	Lock nut, 3/8-16, Nylon insert		11-0519	11-0519
19	Flat washer, 3/8 size, Stainless steel		11-0123	11-0123
20	Lock washer, 3/8 size, Stainless steel		11-0140	11-0140
21	Nipple, 2" NPT x close, CPVC		33-1029	33-1029
22	Suction strainer, Polyethylene		99-0744-1	99-0744-1
* 23	Motor -TEFC, 230/460/3/50-60 - 3450 RPM			
	- 1-1/2 H.P. - 66-1021			
	- 2 H.P. - 66-1020			
	- 3 H.P. - 66-1019			
	- 5 H.P. - 66-1018			
	- 7-1/2 H.P. - 66-1017			
			Select as required	
24	Tubing, 1/4 O.D., Polypropylene		44-1612	44-1612
25	Hose connector elbow, Polypropylene		44-1605	44-1605
26	Plug, 1/4" NPT, CPVC		33-0078	33-0078
27	Hose connector, straight, Polypropylene		-	-
28	Hex bolt, 3/8-16 x 3/4" long, Stainless steel		44-0360	44-0360
29	Bracket, Steel		43-0019	43-0019
30	Manifold, CPVC		43-0016	43-0016
31	Mounting plate, 3/4" thick, PVC, Optional (Not shown)			
	- 20" square		43-0014	43-0014
	- 20" round		43-0015	43-0015
32	Tee connector, 1/4" NPT, Polypropylene		-	-

*Recommended Spare Parts

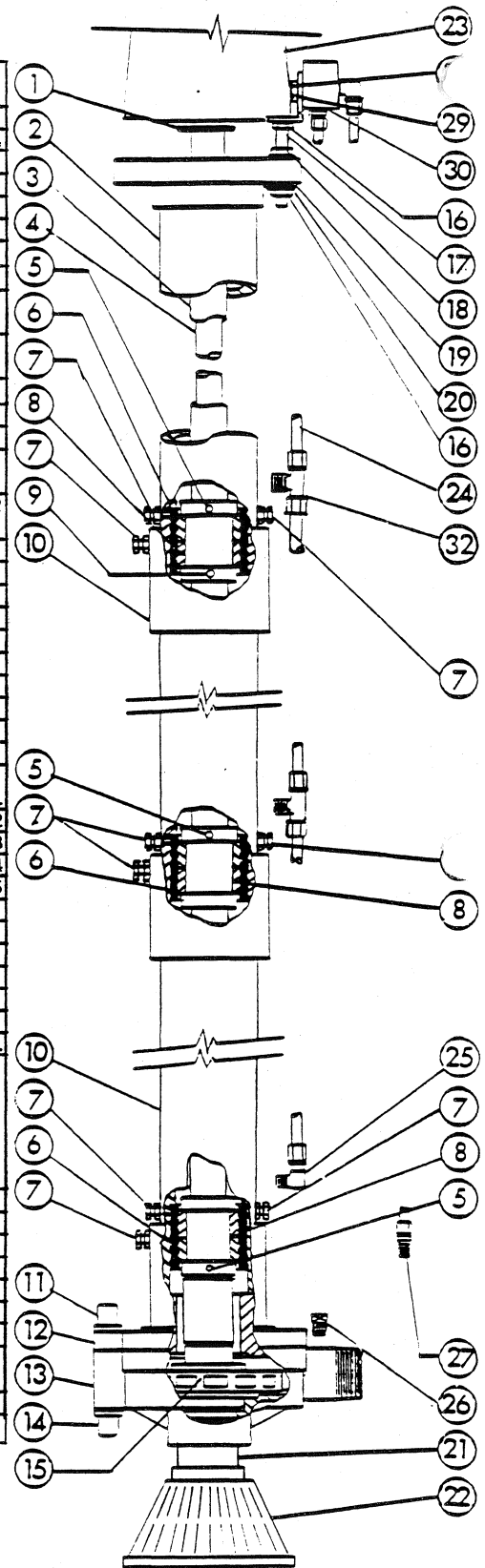
NOTE: Items #1, 5-8, 12-27, 29 and 30 are common to all pumps regardless of length of pump and number of bearings. Quantity of parts required may differ.

Refer to Master Price List F-800

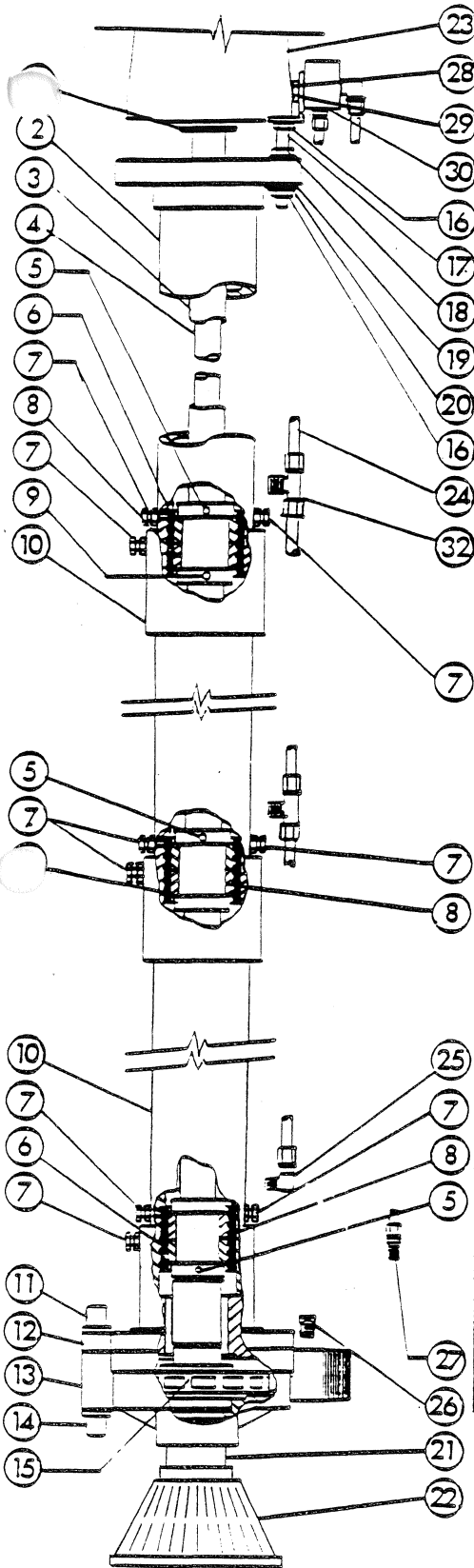
ITEM NO.	DESCRIPTION	LENGTH OF PUMP	PART NO.	PART NO.	PART NO.
			4 FT.	5 FT.	6 FT.
1	Slinger washer, Neoprene		55-0140	55-0140	55-0140
2	Column - mounting flange, CPVC		43-0011-3	43-0011-4	43-0011-4
3	Drive shaft sleeve, CPVC		43-0006-4	43-0006-5	43-0006-6
4	Drive shaft		43-0004-4	43-0004-5	43-0004-6
5	Set collar, CPVC		44-1621	44-1621	44-1621
	Set screw, 1/4-20 x 1/4" long Titanium, (Std)		11-0476	11-0476	11-0476
	" " 1/4-20 x 1/4" " Hastelloy C		11-0681	11-0681	11-0681
6	Casing liner, Ceramic		44-1032	44-1032	44-1032
7	Hex bolt, Titanium (Standard)		33-0044	33-0044	33-0044
	" " Hastelloy C		11-0459	11-0459	11-0459
	Lock nut, Titanium (Standard)		11-0334	11-0334	11-0334
	" " Hastelloy C		11-0458	11-0458	11-0458
* 8	Ring, 2 req'd. per liner, (Glass Filled Teflon)		44-1118	44-1118	44-1118
	" " " " Nickel Alloy Graphite		44-1039	44-1039	44-1039
9	Bushing, CPVC		-	-	-
	Set screw, 1/4-20 x 1/4" long Titanium, (Std)		-	-	-
	" " 1/4-20 x 1/4" long Hastelloy C		-	-	-
10	Pump column, CPVC		43-0012-1	43-0012-1	43-0012-2
11	Cap nut, CPVC		44-2682	44-2682	44-2682
	"O" ring, Ethylene propylene (STD)		22-0569	22-0569	22-0569
	"O" ring, Viton A		22-0568	22-0568	22-0568
* 12	Column support casing		43-0013	43-0013	43-0013
	"O" ring - Ethylene propylene (STD)		22-0545	22-0545	22-0545
	"O" ring - Viton A		22-0544	22-0544	22-0544
13	Suction casing, CPVC		43-0001	43-0001	43-0001
* 14	Cap nut stud, CPVC and Stainless steel		44-3197	44-3197	44-3197
	"O" ring - Ethylene propylene (STD)		22-0569	22-0569	22-0569
	"O" ring - Viton A		22-0568	22-0568	22-0568
15	Impeller - coupling, CPVC				
	- 3-1/2" diameter		43-0003-1	43-0003-1	43-0003-1
	- 3-7/8" "		43-0003-2	43-0003-2	43-0003-2
	- 4-3/8" "		43-0003-3	43-0003-3	43-0003-3
	- 5" "		43-0003-4	43-0003-4	43-0003-4
	- 5-1/2" "		43-0003-5	43-0003-5	43-0003-5
16	Hex nut, 3/8-16, Stainless steel		11-0105	11-0105	11-0105
17	Stud, 3/8-16 x 5-1/2" long, Stainless steel		11-0160	11-0160	11-0160
18	Lock nut, 3/8-16, Nylon insert		11-0519	11-0519	11-0519
19	Flat washer, 3/8 size, Stainless steel		11-0123	11-0123	11-0123
20	Lock washer, 3/8 size, Stainless steel		11-0140	11-0140	11-0140
21	Nipple, 2" NPT x close, CPVC		33-1029	33-1029	33-1029
22	Suction strainer, Polyethylene		99-0744-1	99-0744-1	99-0744-1
* 23	Motor -TEFC, 230/460/3/50-60 - 3450 RPM		Select as required		
	- 1-1/2 H.P. - 66-1021				
	- 2 H.P. - 66-1020				
	- 3 H.P. - 66-1019				
	- 5 H.P. - 66-1018				
	- 7-1/2 H.P. - 66-1017				
24	Tubing, 1/4 O.D., Polypropylene		44-1612	44-1612	44-1612
25	Hose connector elbow, Polypropylene		44-1605	44-1605	44-1605
26	Plug, 1/4" NPT, CPVC		33-0078	33-0078	33-0078
27	Hose connector, straight, Polypropylene		33-1074	33-1074	33-1074
28	Hex bolt, 3/8-16 x 3/4" long, Stainless steel		44-0360	44-0360	44-0360
29	Bracket, Steel		43-0019	43-0019	43-0019
30	Manifold, CPVC		43-0017	43-0017	43-0017
31	Mounting plate, 3/4" thick, PVC, Optional (Not shown)				
	- 20" square		43-0014	43-0014	43-0014
	- 20" round		43-0015	43-0015	43-0015
34	tee connector, 1/4" NPT, Polypropylene		44-1750	44-1750	44-1750

*Recommended Spare Parts

NOTE: Items #1, 5-8, 12-27, 29 and 30 are common to all pumps regardless of length of pump and number of bearings. Quantity of parts required may differ.



Refer to Master Price List F-800



ITEM NO.	DESCRIPTION	LENGTH OF PUMP	PART NO.	PART NO.	PART NO.
			7 FT.	8 FT.	9 FT.
1	Slinger washer, Neoprene		55-0140	55-0140	55-0140
2	Column - mounting flange, CPVC		43-0011-4	43-0011-4	43-0011-4
3	Drive shaft sleeve, CPVC		43-0006-7	43-0006-8	43-0006-9
4	Drive shaft		43-0004-7	43-0004-8	43-0004-9
5	Set collar, CPVC		44-1621	44-1621	44-1621
	Set screw, 1/4-20 x 1/4" long Titanium, (Std)		11-0476	11-0476	11-0476
	" " 1/4-20 x 1/4" " Hastelloy C		11-0681	11-0681	11-0681
6	Casing liner, Ceramic		44-1032	44-1032	44-1032
7	Hex bolt, Titanium (Standard)		33-0044	33-0044	33-0044
	" " Hastelloy C		11-0459	11-0459	11-0459
	Lock nut, Titanium (Standard)		11-0334	11-0334	11-0334
	" " Hastelloy C		11-0458	11-0458	11-0458
* 8	Ring, 2 req'd. per liner, (Glass Filled Teflon)		44-1118	44-1118	44-1118
	" " 2 " " " Nickel Alloy Graphite		44-1039	44-1039	44-1039
9	Bushing, CPVC		44-1013B	44-1013B	44-1013B
	Set screw, 1/4-20 x 1/4" long Titanium, (Std)		11-0476	11-0476	11-0476
	" " 1/4-20 x 1/4" long Hastelloy C		11-0681	11-0681	11-0681
10	Pump column, CPVC		43-0012-3	43-0012-4	43-0012-4
			43-0012-1	43-0012-1	43-0012-2
11	Cap nut, CPVC		44-2682	44-2682	44-2682
	"O" ring, Ethylene propylene (STD)		22-0569	22-0569	22-0569
	"O" ring, Viton A		22-0568	22-0568	22-0568
* 12	Column support casing		43-0013	43-0013	43-0013
	"O" ring - Ethylene propylene (STD)		22-0545	22-0545	22-0545
	"O" ring - Viton A		22-0544	22-0544	22-0544
13	Suction casing, CPVC		43-0001	43-0001	43-0001
* 14	Cap nut stud, CPVC and Stainless steel		44-3197	44-3197	44-3197
	"O" ring - Ethylene propylene (STD)		22-0569	22-0569	22-0569
	"O" ring - Viton A		22-0568	22-0568	22-0568
15	Impeller - coupling, CPVC				
	- 3-1/2" diameter		43-0003-1	43-0003-1	43-0003-1
	- 3-7/8" "		43-0003-2	43-0003-2	43-0003-2
	- 4-3/8" "		43-0003-3	43-0003-3	43-0003-3
	- 5" "		43-0003-4	43-0003-4	43-0003-4
	- 5-1/2" "		43-0003-5	43-0003-5	43-0003-5
16	Hex nut, 3/8-16, Stainless steel		11-0105	11-0105	11-0105
17	Stud, 3/8-16 x 5-1/2" long, Stainless steel		11-0160	11-0160	11-0160
18	Lock nut, 3/8-16, Nylon insert		11-0519	11-0519	11-0519
19	Flat washer, 3/8 size, Stainless steel		11-0123	11-0123	11-0123
20	Lock washer, 3/8 size, Stainless steel		11-0140	11-0140	11-0140
21	Nipple, 2" NPT x close, CPVC		33-1029	33-1029	33-1029
22	Suction strainer, Polyethylene		99-0744-1	99-0744-1	99-0744-1
* 23	Motor -TEFC, 230/460/3/50-60 - 3450 RPM				
	- 1-1/2 H.P. - 66-1021				
	- 2 H.P. - 66-1020				
	- 3 H.P. - 66-1019				
	- 5 H.P. - 66-1018				
	- 7-1/2 H.P. - 66-1017				
			Select as required		
24	Tubing, 1/4 O.D., Polypropylene		44-1612	44-1612	44-1612
25	Hose connector elbow, Polypropylene		44-1605	44-1605	44-1605
26	Plug, 1/4" NPT, CPVC		33-0078	33-0078	33-0078
27	Hose connector, straight, Polypropylene		-	-	-
28	Hex bolt, 3/8-16 x 3/4" long, Stainless steel		44-0360	44-0360	44-0360
29	Bracket, Steel		43-0019	43-0019	43-0019
30	Manifold, CPVC		43-0018	43-0018	43-0018
31	Mounting plate, 3/4" thick, PVC, Optional (Not shown)				
	- 20" square		43-0014	43-0014	43-0014
	- 20" round		43-0015	43-0015	43-0015
32	Tee connector, 1/4" NPT, Polypropylene		44-1750	44-1750	44-1750

*Recommended Spare Parts

NOTE: Items #1,5-8, 12-27, 29 and 30 are common to all pumps regardless of length of pump and number of bearings. Quantity of parts required may differ.

DISTRIBUTED BY



SERFILCO, LTD.

1234 Depot St.
Glenview, IL 60025

312/998-9300
Telex: 253699