

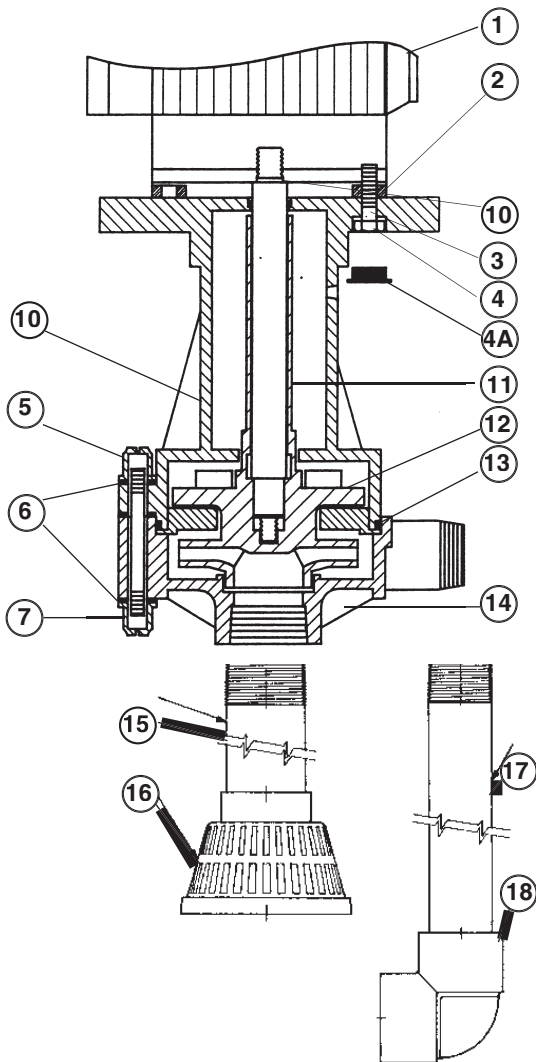


SERIES 'EH' & 'EHL' VERTICAL PUMPS

Pumps with moulded column
manufactured after Aug. 1, 1994.

Refer to Bulletin P-301-1 and
Operation and Service Guide O-905-1.

MODELS
EH (CPVC)
EHP (POLYPROPYLENE)
EHK (PVDF)



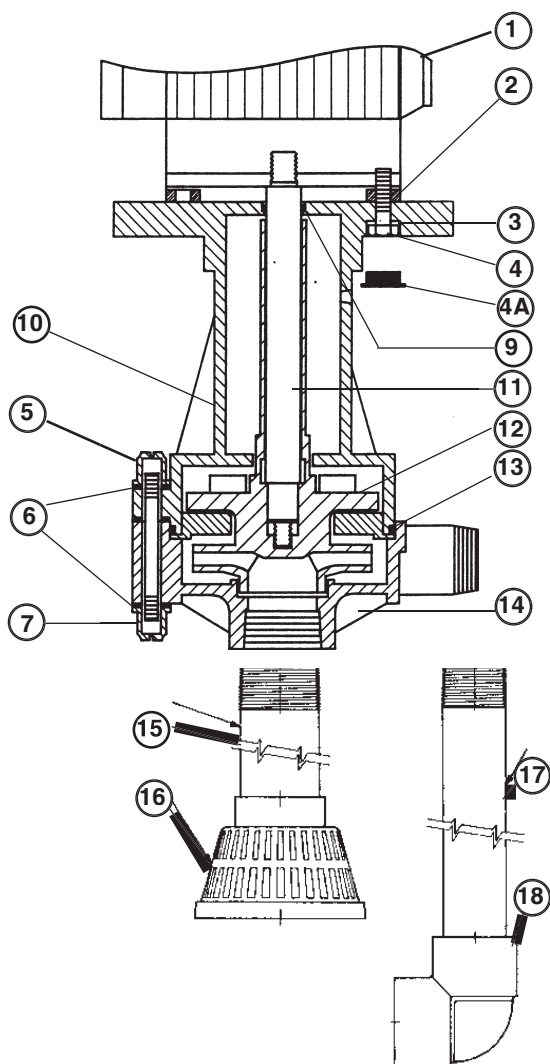
ITEM	DESCRIPTION	MOTOR OPTIONS	
		NEMA w/separate shaft	Metric w/separate shaft
1	Motor - TEFC 2850/3450 RPM 7.5 HP (5.3 kW) 3 phase 5.0 HP (4.0 kW) 3 phase 4.0 HP (3.0 kW) 3 phase 3.0 HP (2.2 kW) 3 phase 2.0 HP (1.5 kW) 3 phase 1.5 HP (1.1 kW) 3 phase 1.0 HP (0.75 kW) 3 phase 1.5 HP (1.1 kW) 1 phase	66-1017 66-1018 - 66-1019 66-1020 66-1021 66-1022 66-1034	- - 01-6627 A 01-6628 A 01-6629 A 01-6630 A - -
	1725 RPM 1.5 HP 3 phase 1.5 HP 1 phase	66-1032 66-1046	- -
	1A Motor drip cover (optional) 1.5 & 2 HP 3.0, 5.0, & 7.5 HP	66-7005 66-7006	ALL 01-6700
	2 Spacer - CPVC (4 required) - 316SS (optional)	44-3194 44-3194 1	
	3 Lockwasher, 3/8" size - SS (4 req'd.) Flat washer, 3/8" size - SS (4 req'd.) Nut, 3/8" size - SS (4 req'd.)	11-0140 11-0126 -	11-0105
	4 Hex bolt, 3/8" x 1 1/2" - SS (4 req'd.) 3/8" x 2" - SS (4 req'd.)	11-0444 -	- 11-0379
	4A Cap plug (4 req'd) Cap nut stud ass'y - 304SS (6 req'd.)		33-1627A

PUMP COMPONENTS				
ITEM	DESCRIPTION	MOD. EH (CPVC & PVC)	MOD. EHP (PP)	MOD. EHK (PVDF)
5	"O"-ring (18 required)	44-3197 1	44-6408 1	44-2687 2
6 ¹	- EPDM (standard on EH) - Viton (standard on EHP & EHK) Cap nut, (6 required)		22-0569 22-0568	
7	Vapour seal - TFE	44-2682	44-6407	44-2682 1
9 ¹	Support casing, column &		22-0848	
10	mounting plate assembly NEMA			
	Metric (90 FR)	44-3182 2	44-7427	44-7435
	Metric (100 FR)	44-3182 27	44-7427 6	44-7435 1
	Drive shaft - stainless steel	44-3182 26	44-7427 11	44-7435 6
11	- titanium (optional) Impeller & sleeve assembly		44-3210 44-7347	
12	-2SC - 4" diameter	-	w/Viton "O"-ring ³	
	-3SC - 4-3/8" diameter	44-3187 2C	44-7429 2	44-7437 2
	-4SC - 5-1/4" diameter	44-3187 3C	44-7429 3	44-7437 3
	-5SC - 5-1/2" diameter	44-3187 4C	44-7429 4	44-7437 4
	PVDF impeller & sleeve assembly	44-3187 5C	44-7429 5	44-7437 5
	fitted to CPVC pump	w/EPDM		
	-2SC - 4" diameter	"O"-ring ²		
	-3SC - 4-3/8" diameter	44-3233 2C	-	-
	-4SC - 5-1/4" diameter	44-3233 3C	-	-
	-5SC - 5-1/2" diameter	44-3233 4C	-	-
	44-3233 5C	-	-	

¹ Recommended spare parts

² For Viton "O"-ring, add V (i.e. -5V)
to Part Number.

³ For EPDM "O"-ring, add A (i.e. - 5A)
to Part Number



ITEM	DESCRIPTION	PART NO.		
		MOD. EH	MOD. EHP	MOD. EHK
13	"O"-ring - EPDM (standard on EH) - Viton (standard on EHP, EHK)	22-0545 22-0544		
14	Suction casing - NPT ports - BSP ports	44-3181 44-3181 2	44-7288 1 44-7288 3	44-6605 1 -
15	Suction extension, 2" NPT x 24" long (optional) Nipple, 2" NPT x close	33-1487 33-1029	33-2264 33-0265	33-2265 33-2266
16	Suction strainer, optional	polyethylene 99-0744 1	Halar 99-1030 99-1030	
17	Discharge pipe, 1½" NPT x 1½" BSP, 12" long (optional)	33-1059 2	33-1059 1PP	33-1059 2K
18	Discharge elbow, 1½" NPT (optional)	33-0996	33-2269	33-2270
20	Pump without motor (NEMA) with -2SC impeller -3SC impeller -4SC impeller -5SC impeller Pump without motor (Metric) with -2SC impeller -3SC impeller -4SC impeller -5SC impeller	45-0120 45-0130 45-0140 45-0150 45-0120MB 45-0130MB 45-0140MB 45-0150MB	45-0620 45-0630 45-0640 45-0650 45-0620MB 45-0630MB 45-0640MB 45-0650MB	45-0720 45-0730 45-0740 45-0750 45-0720M 45-0730M 45-0740M 45-0750M
21	Titanium stud kit optional Replaces items # 5, 6 & 7	45-0171		

ITEM	DESCRIPTION	NEMA Motor	Metric Motor
		22	Titanium bolt kit (optional) Replaces items #3 & 4 Includes: Lock washer (4 req'd) Flat washer (4 req'd) Hex bolt (4 req'd) Nut (4 req'd)

OPTIONAL 18" LENGTH MODEL -EHL

9	Vapour seal - TFE	22-0848
10	Support casing, column & mounting plate assembly - CPVC - Metric 90 FR - Metric 100 FR	44-7415 44-7415 27 44-7415 26
11	Drive shaft - stainless steel (std.) - titanium (opt.)	44-7418 44-7347 1
12	Impeller & sleeve assembly - 2SC-4" diameter - 3SC-4-3/8" diameter - 4SC-5-1/4" diameter - 5SC-5-1/2" diameter	44-7420 2C 44-7420 3C 44-7420 4C 44-7420 5C
17	Discharge pipe 1½" NPT x 18" long	33-2288

¹ Recommended spare parts
² For Viton "O"-ring, add V (i.e. -1V) to Part Number.
³ For EPDM "O"-ring, add A (i.e. - 1A) to Part Number

Prices: EX Works Manchester

Terms: Nett 30 Days

Minimum Order £50.00