

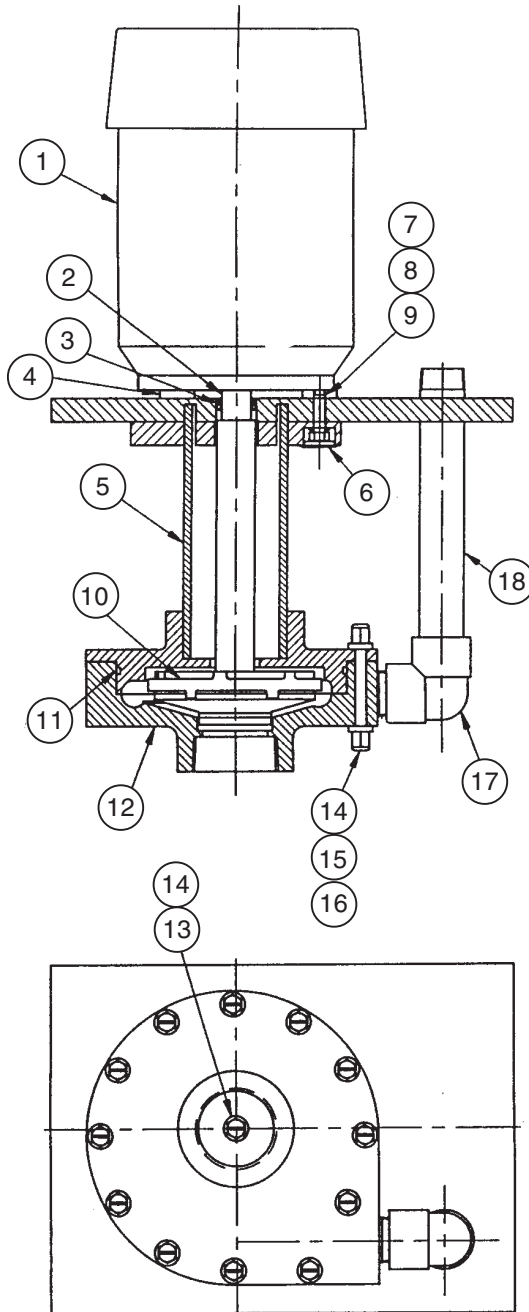


SERIES 'EHM' VERTICAL PUMP

MODELS	
EHM1½-1SC-D7.5	EHM2-7SC-D7.5
EHM1½-2SC-D10.0	EHM2-4SC-D10.0
EHM1½-3SC-D7.5 (50 Hz)	EHM2-5SC-D15.0
	EHM2-6SC-D10.0 (50 Hz)

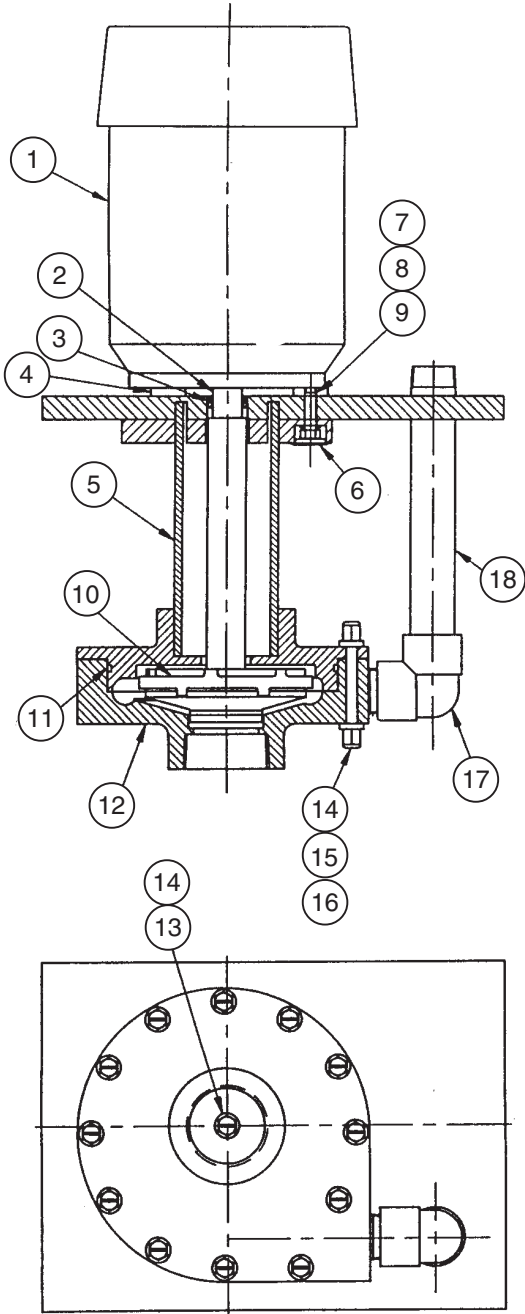
For pumps manufactured before 1-96, consult Sales Department.

Refer to Bulletin P-309, Operation and Service Guide O-980 and Master Price List F-800.



ITEM	DESCRIPTION	PART NUMBERS	
		EHM1½	EHM2
1	Motor - TEFC 3450 RPM 7.5 HP - 208-230-460/3/60 10.0 HP - 208-230-460/3/60 15 HP - 208-230/460/3/60 2850 RPM 7.5 HP (5.5 kW) 10 HP (7.5kW)	66-7013 A 66-7015 A - 66-7013 5A -	66-7013 B 66-7015 B 66-1371 A 66-7013 5B 66-7015 5B
2	Drive shaft - 303 stainless steel (std) - titanium shaft (opt) Drive shaft, LX - 303 SS - Titanium	44-7522 A 44-7522 1A 44-7632 44-7632 1	44-7570 44-7570 1 44-7633 44-7633 1
3*	Vapor seal assembly - PTFE	22-0865	22-0873
4	Motor spacer - 303 stainless steel (4 req'd)	44-3194-2	
5	Column assembly mtg. plate - CPVC - w/DPA hole LX LX - w/DPA hole	44-7523-A 44-7523 2 44-7636 44-7636 1	44-7571 44-7571 1 44-7637 44-7637 1
6	Cap plug - LDPE (4 req'd)	33-1627	
7	Hex head bolt, ½"-13 x 2½" - stainless steel (4 req'd)	11-0127	
8	Lock washer, ½" - stainless steel (4 req'd)	11-0343	
9	Flat washer, ½" - stainless steel (4 req'd)	11-0124	
10	Impeller assembly - CPVC 1SC, 6.3" dia. 2SC, 6.9" dia. 3SC, 7.5" dia. 4SC, 5.80" dia. 5SC, 6.57" dia. 6SC, 7.00" dia. 7SC, 5.25" dia.	44-7524 1A 44-7524 2A 44-7524 3A - - - -	- - - 44-7577 1 44-7577 2 44-7577 3 44-7577 4
	LX, 1SC LX, 2SC LX, 3SC LX, 4SC LX, 5SC LX, 6SC LX, 7SC	44-7638 1 44-7638 2 44-7638 3 - - - -	- - - 44-7639 1 44-7639 2 44-7639 3 44-7639 4

* Recommended spare parts.



ITEM	DESCRIPTION	PART NUMBERS	
		EHM1½	EHM2
11*	Suction casing "O"-ring - EPDM (standard) - Viton (optional)	22-0859	22-0874
		22-0861	22-0875
12	Suction casing assembly - CPVC	44-7564	44-7572
13	Impeller cap nut/stud assembly - CPVC/stn. steel	44-2687	
14	Cap nut "O"-ring - EPDM (standard) - Viton (optional)	22-0569	
		22-0568	
15	Cap nut stud assembly - CPVC/SS	44-3197-1	
16	Cap nut	44-2682	

OPTIONAL

17	Elbow, 1½" NPT - CPVC (Nibco)	33-0996	-
	2" NPT - CPVC (Eslon)	-	33-0997
18	Nipple, threaded both ends- CPVC 1½" NPT	33-6044	-
	2" NPT	-	33-6045

The following optional items are not shown

19	Suction strainer, 3" NPT- polyethylene	45-1203
20	Suction extension, 3" NPT - CPVC	
	12"	46-0081
	24"	46-0082
	36"	46-0083

* Recommended spare parts.



SERFILCO[®], LTD.

2900 MacArthur Blvd. 847-509-2900
Northbrook, IL 60062-2005 U.S.A. 800-323-5431
e-mail: sales@serfilco.com FAX: 847-559-1995
www.serfilco.com

WESTERN

13721 Alma Avenue 310-532-0801
Gardena, CA 90249-2513 FAX: 310-532-0866