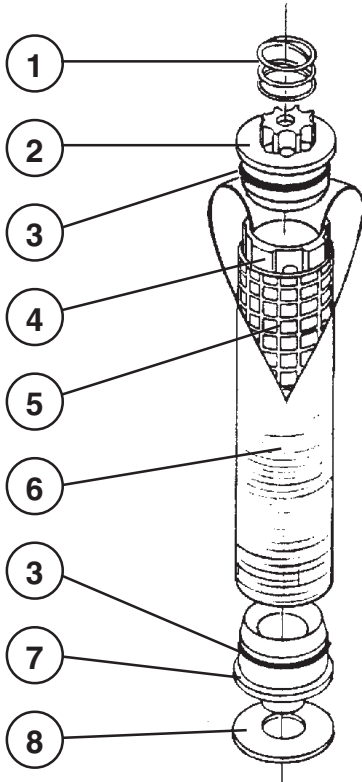


# SLEEVE TYPE FILTER CARTRIDGE



Refer to Bulletin M-108 and Master Price List F-800.			LABMASTER SPACE-SAVER® (4" DIA. SHELL) <sup>1</sup>	GUARDIAN & SENTRY <sup>2</sup>	SPACE-SAVER (6" DIA. SHELL)
ITEM	DESCRIPTION	SLEEVE LENGTH	PART NUMBERS		
	Complete sleeve assembly (Includes all items listed below)	10" 20" 30" 40" 50"	99-0701 99-0702 99-0703 99-0715 -	99-0704 99-0705 99-0706 99-0707 99-0708	99-0704 1 99-0705 1 99-0706 1 99-0707 1 99-0708 1
1	Hold-down spring, - vinyl coated steel	ALL	77-0301 1	77-03011	
2	Top seat plate - polyethylene	ALL	77-0712	77-0712	
<sup>3</sup> 3	'O'-ring seal top & bottom - EPDM, std. (2 req'd) - Viton®	ALL	22-0292 22-0296	22-0292 22-0296	
4	Support column - CPVC	10" 20" 30" 40" 50"	77-0310 77-0311 77-0312 77-0313 -	77-0310A 77-0311A 77-0312A 77-0313A 77-0314A	
5	Support mesh - polypropylene	10" 20" 30" 40" 50"	88-0151 88-0152 88-0153 88-0154 -	88-0151A 88-0152A 88-0153A 88-0154A 88-0155A	
<sup>3</sup> 6	Sleeve filter, 15 micron - polypropylene	10" 20" 30" 40" 50"	88-0161 88-0162 88-0163 88-0164 -	88-0161A 88-0162A 88-0163A 88-0164A 88-0165A	
7	Bottom seat plate - polypropylene	ALL	77-0710	77-0710	77-0710 1
8	Bottom gasket - EPDM (std) - Viton	ALL	55-0140 55-0140-1	55-0140 55-0140-1	



<sup>1</sup> To use sleeve type cartridges in your present filter chamber, cut off the tube guide and seal ring from the cover. Once a cover has been converted for use with sleeve type cartridges, a new cover is required to again use depth type cartridges. See Parts Lists P-195 and P-9700.

<sup>2</sup> When converting from cartridge to sleeve filter: hold-down spring and bottom gasket are reusable from cartridge filter assembly.

<sup>3</sup> Recommended replacement parts.

©Viton is a Registered Trademark of DuPont Dow Elastomers.

F.O.B. Northbrook, Illinois

Terms: Net 30 Days

Minimum order \$25.00



## SERFILCO®, LTD.

2900 MacArthur Blvd. 847-509-2900  
Northbrook, IL 60062-2005 U.S.A. 800-323-5431  
e-mail: sales@serfilco.com FAX: 847-559-1995  
www.serfilco.com

DISTRIBUTED BY

*WESTERN*

5005 S. Hampton Street 213-588-0801  
Los Angeles, CA 90058 FAX: 213-588-6826