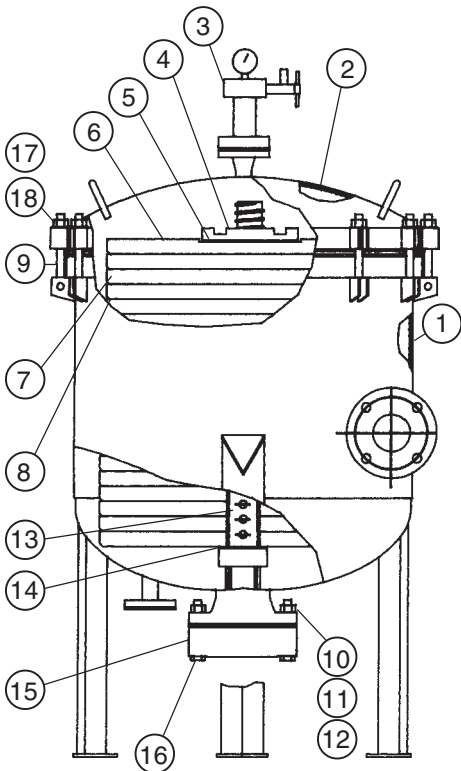




SERIES 'DR' DISC FILTER CHAMBER

Refer to Bulletin C-306 and
Master Price List F-800.

MODEL	PRICE CODE NO.
DR 60-3	78-1376
DR 78-3	78-1375
DR 105-3	78-1374



ITEM	DESCRIPTION	QTY.	MODELS			
			DR60-3	DR78-3	DR105-3	
			PART NOS.			
1	Chamber body, rubber lined - steel	1	77-1514			
2	Cover, rubber lined - steel					
	small	1	77-1515	-	-	
	medium	1	-	77-1516	-	
2	large	1	-	-	77-1517	
	3	Gauge guard assembly - CPVC	1	99-0734		
		Bolt, 1/2"-13 x 2-1/4" - stn. steel	4	11-0351		
Nut, 1/2"-13 - stn. steel		4	11-0106			
Flat washer, 1/2" - stn. steel		8	11-0711			
Lock washer, 1/2" - stn. steel		4	11-0343			
4	Disc hold down nut - CPVC	1	88-3272			
5	Gasket - EPDM	1	88-3297			
		1	88-3297 V			
6	Top disc - polypropylene	1	88-3296			
7	Filter disc - polypropylene	Model DR60-3	20	88-3244		
		Model DR78-3	26	88-3244		
		Model DR105-3	35	88-3244		
8	Filter disc media	Model DR60-3	20	See Bulletin C-306.		
		Model DR78-3	26			
		Model DR105-3	35			
9	Swing bolt, 5/8"-11 x 6" long - stainless steel	14	77-1524			
		14	11-0559 1			
		28	11-0547			
10	Clevis pin - stainless steel	14	11-0559 1			
		14	11-0547			
		28	11-0547			
10	Flat washer, 5/8" - stainless steel	16	11-0861			
11	Lock washer, 5/8" - stainless steel	8	11-0381			
12	Hex nut, 5/8"-11 - stainless steel	8	11-0339			
13	Center post assembly - CPVC	1	88-3253	88-3253 1	88-3253 2	
		1	88-3253 SS	88-3253 1SS	88-3253 2SS	
14	Gasket - EPDM	1	22-0864			
		1	22-0864 V			
15	Center post flange - CPVC	1	33-6096			
		1	33-1866 SS			
		1	33-1869 SS			
		1	22-0244			
15	Reducing flange, 3" NPT - stn. steel (opt.)	1	33-1869 SS			
		1	22-0244			
15	Flange gasket, 4" - EPDM	1	22-0244			
		1	22-0244 V			
16	Hex head bolt, 5/8"-11 x 4-1/2" - stainless steel	8	11-0187			
		8	11-0187			
17	Thick flat washer, 5/8" - stainless steel	14	11-3015			
18	Heavy duty hex nut, 5/8" - stainless steel	14	11-3016			
19	Center post spacer (not shown)	As req'd	88-3511			
		As req'd	88-3511 1			