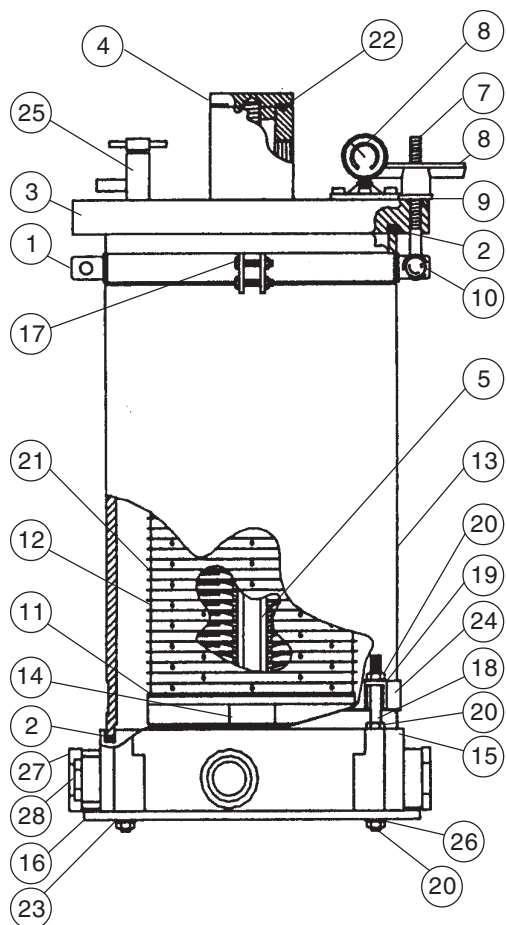


# DISC FILTER CHAMBERS



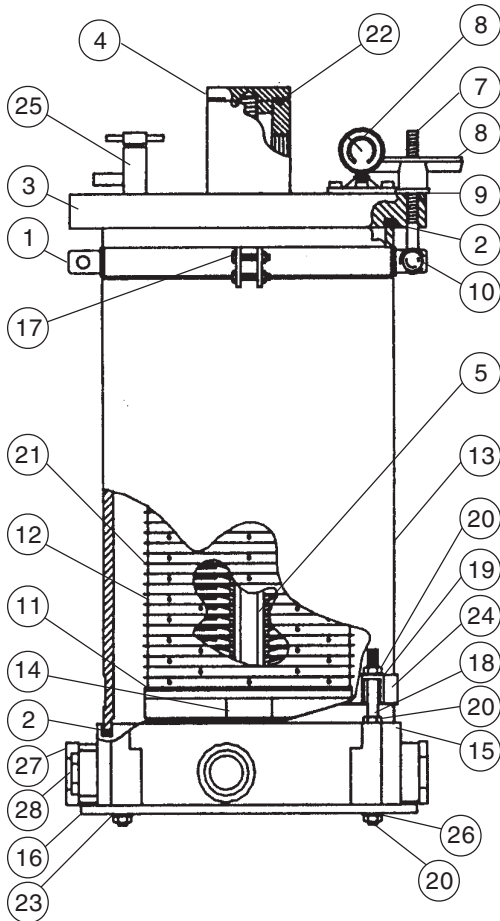
PVC MODELS	PRICE CODE NOS.	CPVC MODELS	PRICE CODE NOS.
PL8DF-1½-G3A	78-1605	CL8DF-1½-G3A	78-1605A
PL16DF-1½-G3A	78-1606	CL16DF-1½-G3A	78-1606A
PL24DF-1½-G3A	78-1607	CL24DF-1½-G3A	78-1607A
PL33DF-1½-G3A	78-1608	CL33DF-1½-G3A	78-1608A



ITEM	DESCRIPTION	QTY.	PART NO.	
			PVC	CPVC
1	Swing bolt bracket - stainless steel	1	77-0788	
2*	Flat gasket for cover & base - EPDM	2	22-0667	
3	Cover assembly	1	88-3044	88-3044-1
4	Sump cover	1	88-3048	88-3048-1
5	Center post - CPVC for 8 DF-1½-G3A chamber	1	88-3053	
	for 16 DF-1½-G3A chamber	1	88-3049	
	for 24 DF-1½-G3A chamber	1	88-3050	
	for 33 DF-1½-G3A chamber	1	88-3051	
6	Gauge guard assy., w/Hypalon diaphragm Type G3, 0-60 PSI	1	99-0732	
7	Swing bolt, ½"-13 x 5¾" long - stainless steel	6	11-0474-1	
8	Tee handle, ½"-13 - polypropylene	6	11-0266	
9	Flat washer, ½", - stainless steel	6	11-0619	
10	Hex head bolt, 3/8"-16 x 1½" long - stainless steel	6	11-0444-1	
	Flat washer, 3/8" - stainless steel	12	11-0126	
	Hex nut, self-locking, 3/8"-16 - stainless steel	6	11-0519	
11	Gasket - EPDM	2	44-7322	
12	Filter disc, 8¾" x 1¼" x 7/16" - polypropylene			
	for 8 DF-1½-G3A chamber	21	88-3046	
	for 16 DF-1½-G3A chamber	43	88-3046	
	for 24 DF-1½-G3A chamber	66	88-3046	
	for 33 DF-1½-G3A chamber	89	88-3046	
13	Shell			
	for 8 DF-1½-G3A chamber	1	77-0569	77-0017
	for 16 DF-1½-G3A chamber	1	77-0569-1	77-0017-1
	for 24 DF-1½-G3A chamber	1	77-0569-2	77-0017-2
	for 33 DF-1½-G3A chamber	1	77-0569-3	77-0017-3
14	Lock nut	1	88-3047	88-3047-1
15	Base, 14" molded	1	88-0974-1	
16	Bottom support plate - fiberglass	1	77-0811	
17	Top and bottom bracket			
	Hex head bolt, 3/8"-16 x 1¾" long - stainless steel	2	11-0374	
	Flat washer, 3/8" - stainless steel	4	11-0126	
	Lockwasher, 3/8" - stainless steel	2	11-0190	
	Hex nut, 3/8" - stainless steel	2	11-0105	
18	Tie rod, ½"-13 x 7½" long - stainless steel	4	77-0758	
19	Flat washer, ½" - stainless steel	8	11-0711	
20	Hex nut, ½"-13 - stainless steel	12	11-0106	
21	Filter paper, 100 per box			
	for 8 DF-1½-G3A chamber	20	See Box 'A' on page 2	
	for 16 DF-1½-G3A chamber	42		
	for 24 DF-1½-G3A chamber	65		
	for 33 DF-1½-G3A chamber	88		
22*	'O'-ring - EPDM	1	22-0839	
23	Flat washer, ½" size - stainless steel	4	11-0124	
24	Hold-down bracket - stainless steel	1	77-0795-1	
25	Vent valve assembly - CPVC	1	33-0051	
26	Lockwasher, ½" size - stainless steel	1	11-0343	

\* Recommended spare parts.

Continued on next page.

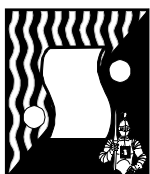


ITEM	DESCRIPTION	QTY.	PART NO.	
			PVC	CPVC
27	Plug, 1½" NPT	3		33-0868
	'O'-ring	3		22-0573
28	Plug, ¾" NPT	1		33-0211
	'O'-ring	1		22-0570

The following are not illustrated.

29	Quick-connect coupling, male, 1½"	1	33-1284
30	Hose adapter coupling, 1½"	1	33-1456
31	Drip pan	1	99-1437

FILTER PAPER FOR MODEL 'PL' OR 'CL' CHAMBERS (ordered separately) packaged in quantities of 100			
DISC MODEL NUMBER	MICRON RATING	PRICE CODE NUMBER	
		1 to 4 CARTONS	5 to 9 CARTONS
CE 5 x 9	5	78-1235	78-1235A
CE 10 x 9	10	78-1236	78-1236A
CE 20 x 9	20	78-1226	78-1226A
CE 40 x 9	40	18-1237	18-1237A
C x 9 CARBON	10	78-1227	78-1227A



**SERFILCO, LTD.**

2900 MacArthur Blvd. 847-509-2900  
 Northbrook, IL 60062-2005 U.S.A. 800-323-5431  
 e-mail: sales@serfilco.com FAX: 847-559-1995  
 www.serfilco.com

*WESTERN*  
 213-588-0801  
 FAX: 213-588-6826