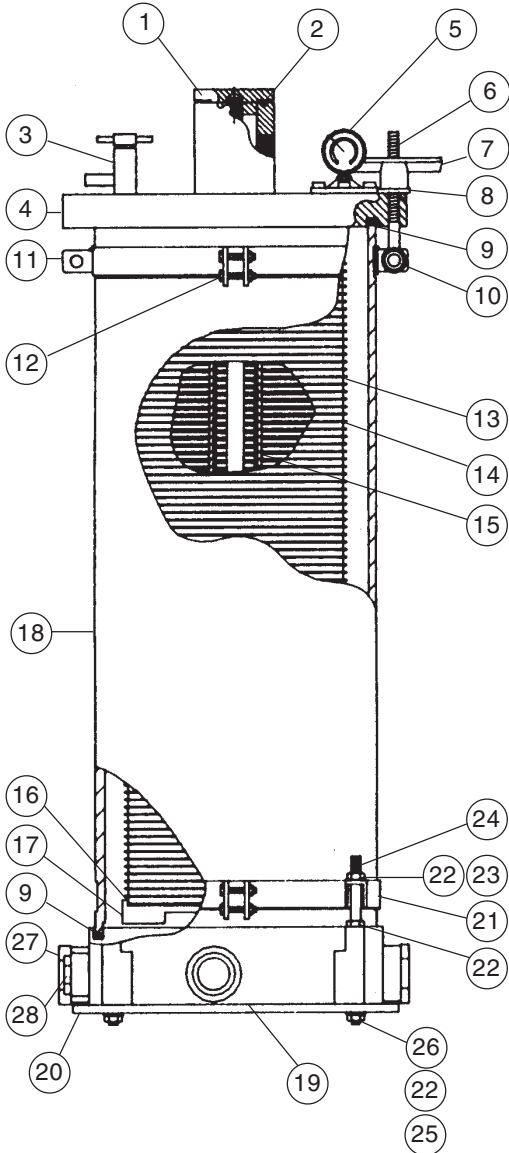




DISC FILTER CHAMBERS

PVC MODEL	PRICE CODE NUMBER	CPVC MODEL	PRICE CODE NUMBER
PL15DF-1½-G3A	78-1621	CL15DF-1½-G3A	78-1621A
PL30DF-1½-G3A	78-1622	CL30DF-1½-G3A	78-1622A
PL45DF-1½-G3A	78-1623	CL45DF-1½-G3A	78-1623A

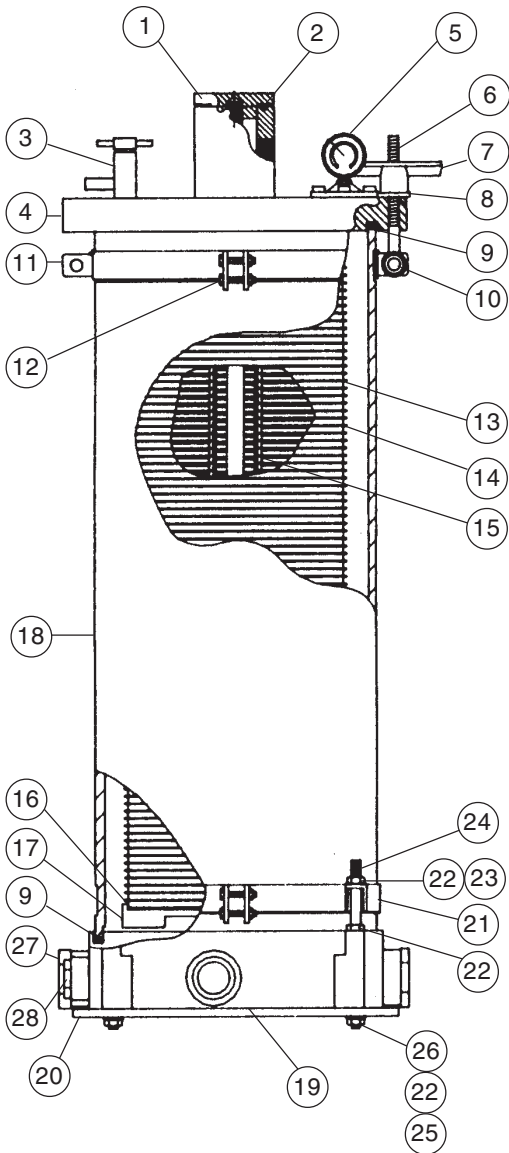
Refer to Bulletin C-302 and
Master Price List F-800.



ITEM	DESCRIPTION	QTY.	PART NO.	
			PVC	CPVC
1	Sump cover	1	88-3048	88-3048-1
2*	'O'-ring - EPDM	1	22-0839	
	- Viton	1	22-0839-V	
3	Vent valve assembly	1	33-0051	
4	Cover assembly	1	88-3044-2	88-3044-3
5	Gauge guard assembly w/Hypalon diaphragm Type G3, 0-60 PSI	1	99-0732	
6	Swing bolt, ½"-13 x 5¾" long - stainless steel	6	11-0474-1	
7	Tee handle, ½"-13 - polypropylene	6	11-0266	
8	Flat washer, ½" - stainless steel	6	11-0619	
9*	Flat gasket for cover & base - EPDM	2	22-0667	
	- Viton	2	22-0668	
10	Hex head bolt, 3/8"-16 x 1½" long - stainless steel	6	11-0444-1	
	Flat washer, 3/8" - stainless steel	12	11-0126	
	Hex nut, self-locking, 3/8"-16 - stainless steel	6	11-0519	
11	Swing bolt bracket - 316SS	1	77-0788	
12	Hex head bolt, 3/8"-16 x 1½" long - stainless steel	4	11-0374	
	Flat washer, 3/8" - stainless steel	8	11-0126	
	Lock washer, 3/8" - stainless steel	4	11-0140	
	Hex nut, 3/8" - stainless steel	4	11-0105	
13*	Filter paper - PL15DF	33	See Box 'A' on Page 2	
	- PL30DF	67		
	- PL45DF	101		
14*	Filter disc - polypropylene	34	88-3360	
	- PL15DF	68	88-3360	
	- PL30DF	102	88-3360	
15	Center post - CPVC	1	88-3053-1	
	- PL15DF	1	88-3049-1	
	- PL30DF	1	88-3050-1	
16*	Gasket - EPDM	2	44-7322-2	
	- Viton	1	44-7322-2V	
17	Lock nut	1	88-3047-2	88-3047-3
18	Shell - PL15DF	1	77-0569	77-0017
	- PL30DF	1	77-0569-1	77-0017-1
	- PL45DF	1	77-0569-2	77-0017-2
19	Base, 14" molded - CPVC	1	88-0974-1	
20	Bottom support plate - FRP	1	77-0811	
21	Hold down bracket - stainless steel	1	77-0795-1	
22	Hex nut, ½"-13 - stainless steel	12	11-0106	
23	Flat washer, ½" - stainless steel	8	11-0711	
24	Tie rod, ½"-13 x 7½" long - stainless steel	4	77-0758	

* Recommended spare parts.

Continued on page 2.



ITEM	DESCRIPTION	QTY.	PART NO.	
			PVC	CPVC
25	Lock washer, 1/2"	4		11-0343
26	Flat washer, 1/2" - stainless steel	4		11-0124
27	Plug, 1 1/2" NPT 'O'-ring	3		33-0868
		3		22-0573
		3		22-0296
28	Plug, 3/4" NPT 'O'-ring	1		33-0211
		1		22-0570
		1		22-0563

The following items are not illustrated.

29	Quick-connect coupling, male, 1 1/2" - polypropylene	1	33-1284
30	Hose adapter coupling, 1 1/2" - polypropylene	1	33-1456
31	Drip pan - polyethylene	1	99-1437

**FILTER PAPER FOR MODEL 'PL' OR 'CL' CHAMBERS
(ordered separately) packaged in quantities of 100**

DISC MODEL NUMBER	MICRON RATING	PRICE CODE NUMBER	
		1 to 4 CARTONS	5 to 9 CARTONS
CE 5 x 10	5	78-1612	78-1612A
CE 10 x 10	10	78-1613	78-1613A
CE 20 x 10	20	78-1614	78-1614A
CE 40 x 10	40	78-1615	78-1615A
C x 10 CARBON	10	78-1616	78-1616A



SERFILCO® LTD.

2900 MacArthur Blvd. 847-509-2900
Northbrook, IL 60062-2005 U.S.A. 800-323-5431
e-mail: sales@serfilco.com FAX: 847-559-1995
www.serfilco.com

WESTERN
213-588-0801
FAX: 213-588-6826