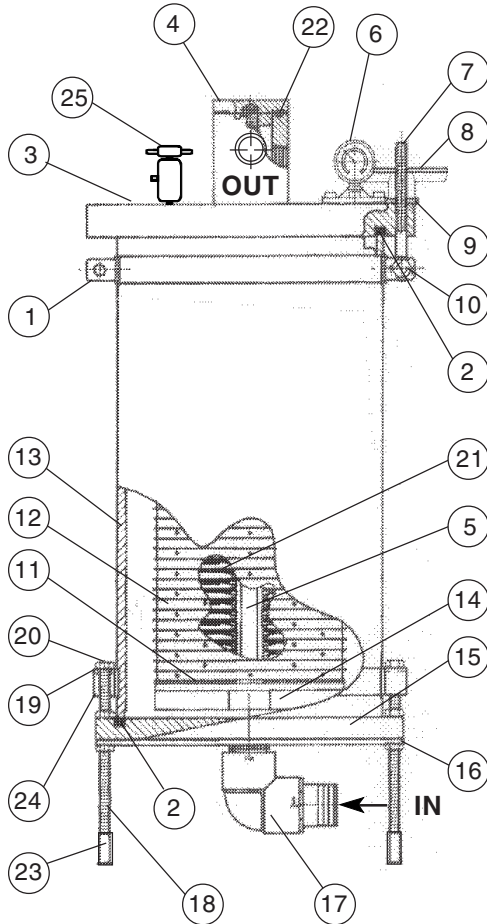




DISC FILTER CHAMBERS

PVC MODEL	PRICE CODE NO.	CPVC MODEL	PRICE CODE NO.
PL8DF-1½-G3A	78-1241	CL8DF-1½-G3A	78-1241A
PL16DF-1½-G3A	78-1220	CL16DF-1½-G3A	78-1220A
PL24DF-1½-G3A	78-1221	CL24DF-1½-G3A	78-1221A
PL33DF-1½-G3A	78-1222	CL33DF-1½-G3A	78-1222A

Refer to Bulletin
C-302 and Master
Price List F-800.



ITEM	DESCRIPTION	QTY.	PART NO.	
			PVC	CPVC
1	Swing bolt bracket - stainless steel	1	77-0788	
2*	Flat gasket for cover & base - EPDM	2	22-0667	
3	Cover assembly	1	88-3044	88-3044-1
4	Sump cover	1	88-3048	88-3048-1
5	Center post - CPVC for 8 DF-1½-G3A chamber for 16 DF-1½-G3A chamber for 24 DF-1½-G3A chamber for 33 DF-1½-G3A chamber	1 1 1 1	88-3053 88-3049 88-3050 88-3051	
6	Gauge guard assy., w/Hypalon diaphragm Type G3, 0-60 PSI	1	99-0732	
7	Swing bolt, ½-13x5¾" long - stn. steel	6	11-0474-1	
8	Tee handle, ½-13 - polypropylene	6	11-0266	
9	Flat washer, ½", - stainless steel	6	11-0619	
10	Hex head bolt, 3/8-16 x 1½" long - stn. steel Flat washer, 3/8" - stainless steel Hex nut, self-locking, 3/8-16 - stainless steel	6 12 6	11-0444-1 11-0126 11-0519	
11	Gasket - EPDM	2	44-7322	
12	Filter disc, 8¾ x 1¼ x 7/16 - polypropylene for 8 DF-1½-G3A chamber for 16 DF-1½-G3A chamber for 24 DF-1½-G3A chamber for 33 DF-1½-G3A chamber	21 43 66 89	88-3046 88-3046 88-3046 88-3046	
13	Shell for 8 DF-1½-G3A chamber for 16 DF-1½-G3A chamber for 24 DF-1½-G3A chamber for 33 DF-1½-G3A chamber	1 1 1 1	77-0569 77-0017 77-0569-1 77-0017-1 77-0569-2 77-0017-2 77-0569-3 77-0017-3	
14	Lock nut	1	88-3047	88-3047-1
15	Base	1	88-3042	88-3042-1
16	Bottom support plate - fiberglass	1	77-0811-1	
17	Elbow hose adapter, 1½" - CPVC	1	33-1483	
18	Tie rod, 1/2-13 x 9" long - stainless steel	4	77-0790	
19	Flat washer, 1/2" - stainless steel	8	11-0124	
20	Hex nut, 1/2-13 - stainless steel	12	11-0106	
21	Filter paper, 20 micron, 100 per box for 8 DF-1½-G3A chamber for 16 DF-1½-G3A chamber for 24 DF-1½-G3A chamber for 33 DF-1½-G3A chamber	20 42 65 88	See Bulletin C-302	
22*	"O"-ring - EPDM	1	22-0839	
23	Cap - polyethylene	4	33-5971	
24	Hold-down bracket - stainless steel	1	77-0795-1	
25	Vent valve assembly - CPVC	1	33-0051	

See Bulletin C-302 for other micron ratings.
* Recommended spare parts.

The following are not illustrated.

Hex head bolt, 3/8-16 x 1¼" long - stn. steel	2	11-0374
Flat washer, 3/8" - stainless steel	4	11-0126
Lockwasher, 3/8" - stainless steel	2	11-0140
Hex nut, 3/8" - stainless steel	2	11-0105
Pipe plug, 3/4" - CPVC w/EPDM "O"-ring	1	33-0755
Quick-connect coupling, male, 1½ - polypro.	1	33-1284
Hose adapter coupling, 1½ - polypropylene	1	33-1456
Drip pan - polyethylene	1	99-1437