



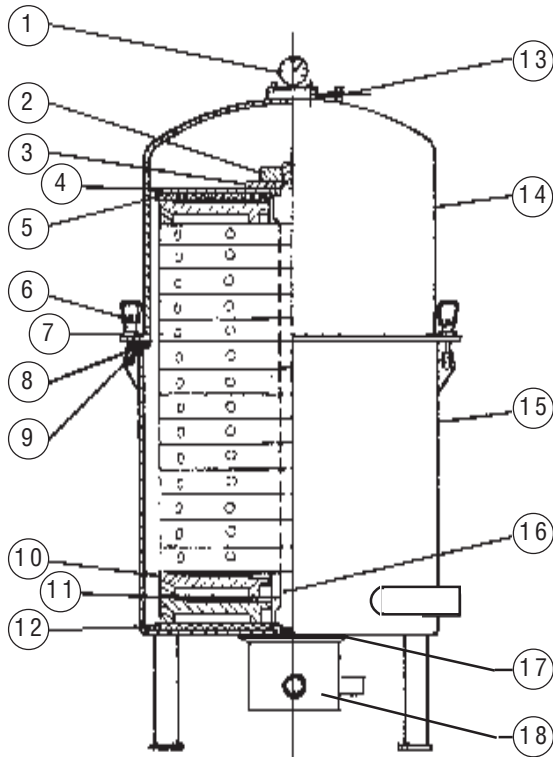
DISC FILTER CHAMBER

PARTS LIST
P-8550A
AUG. 1990

MODEL	PRICE CODE NO.
RD-17S	78-1020
RD-30S	78-1021

Refer to Operating Instructions O-975.

Refer to Master Price List F-800.



ITEM	DESCRIPTION	PART NUMBER	
		MODEL RD-17S	MODEL RD-30S
1	Gauge guard assembly G-2, polypropylene & Hypalon®	99-0731	
2	Locknut, polypropylene	11-0704	
3	Lock ring, polypropylene	88-1351	
4	Top seal plate, rubber lined steel	88-1352	
5	Top gasket, rubber	22-0700	
6	Eye nut, stainless steel (6 required) "T" handle, polypropylene (6 req'd.)	- 11-0265	11-0708 -
7	Washer, stainless steel (6 required)	11-0126	
8	Swing bolt, stainless steel (6 req'd.)	11-0707	
9	Cover gasket, rubber	22-0701	
10	Support plate, polypropylene (16 required) (29 required)	88-1356 -	- 88-1356
11	Filter disc	Refer to Product Catalog	
12	Bottom gasket, rubber	22-0700	
13	Vent valve, polypropylene	33-1658	
14	Cover, rubber lined steel	88-1355	88-1355-1
15	Chamber, rubber lined steel	88-1354	88-1354-1
16	Center post, polypropylene	88-1353	88-1353-1
17	Sump gasket, rubber	88-1505	
18	Sump & outlet assy., polypropylene	55-1506	

Hypalon is a registered trademark of DuPont.

F.O.B. Northbrook, Illinois

Terms: Net 30 Days

Minimum order \$25.00

SERFILCO® LTD.

2900 MacArthur Blvd. 847-509-2900
Northbrook, IL 60062-2005 USA 800-323-5431
e-mail: sales@serfilco.com FAX: 847-559-1995

WESTERN
310-532-0801
FAX: 310-532-0866