

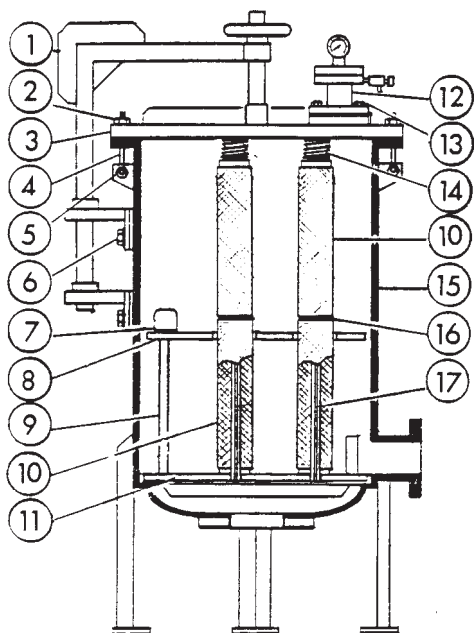
SERIES 'Y' FILTER CHAMBERS

RUBBER (YR) OR HYPALON (YH) LINED STEEL

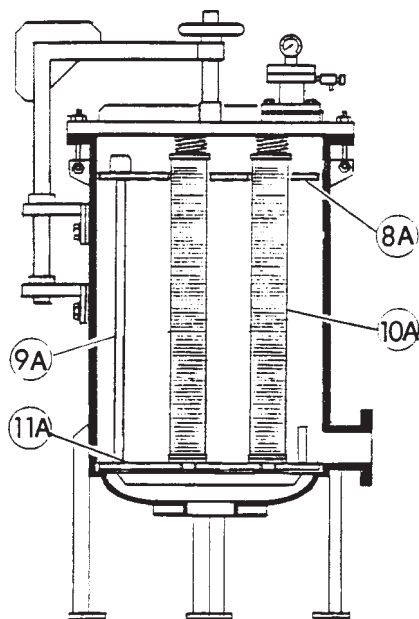


Refer to Bulletin C-203, Operation & Service Guide O-865 and Master Price List F-800.

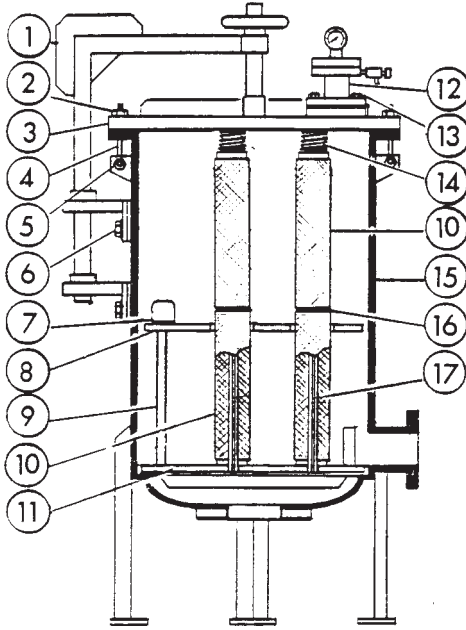
| | | MODELS 240 & 360 18" DIA. | MODELS 520 & 780 18" DIA. |
|------|---|--|--|
| | | 12 | 26 |
| | | 240 - 2 Decks | 520 - 2 Decks |
| | | 360 - 3 Decks | 780 - 3 Decks |
| ITEM | DESCRIPTION | PART NUMBER | |
| 1 | Davit cover lift (Optional) | 77-0619 | |
| 2 | Hex nut - plated steel 1/2"-13 5/8"-11 | 11-0254 - | |
| | Flat washer - plated steel 1/2" size 5/8" " | 11-0619 - | |
| 3 | Filter chamber cover - Rubber-lined stl. Model R - Hypalon " " " " H | 77-1076 77-1110 | |
| 4 | Swing bolt, 1/2"-13 x 5-3/4" - stainless steel | 11-0474 1 | |
| 5 | Clevis pin - stainless steel E-ring - steel | 11-0559 1 11-0547 | |
| 6 | Hex bolt, 1/2"-13 x 7/8" long - stainless steel Flat washer, 1/2" size - stainless steel | 11-0352 11-0124 | |
| 7 | Cap, 1/2" NPT - CPVC | 33-0873 | |
| 8 | Top separator plate - CPVC | | |
| 8A | For filter cartridges For sleeve-type cartridges | 88-0882 88-0882 1 | 88-0883 - |
| 9 | Support rod, CPVC (3 req'd) | 240/88-0892 2 520/88-0892 2 | |
| 9A | For filter cartridges For sleeve-type cartridges | 360/88-0892 3 240/88-0894 2 360/88-0894 3 | 780/88-0892 3 - - |
| 10 | Filter cart. - Refer to Bulletin M-109-2 | 240/99-0705 - | |
| 10A | Sleeve type filter cartridges - Refer to Parts List P-8600 | 350/99-0706 - | |
| 11 | Bottom separator plate, CPVC | | |
| 11A | For filter cartridges For sleeve-type cartridges | 77-0817 77-0817 1 | 77-0818 - |
| 12 | Gauge guard - GS Refer to Parts List P-2300 (Includes CPVC vent valve) Vent valve only | 99-0734 33-0051 | |
| 13 | Hex bolt, 1/2"-13 x 1" long - stn. steel | 11-0350 | |
| 14 | Top seat plate assembly - polypropylene (w/vinyl coated steel spring) Top seat plate only - CPVC Spring only - vinyl coated 316 stn. steel | 77-0701 77-0701 A 77-0301 1 | |
| 15 | Filter chamber - Rubber-lined steel - Hypalon-lined steel | 240/77-1079 360/77-1080 240/77-1086 360/77-1087 | 520/77-1079 780/77-1080 520/77-1086 780/77-1087 |
| 16 | Cartridge spacer - EPDM (std) - Viton - optional | 22-0218 22-0204 | |
| 17 | Cross post, - CPVC (standard) - polysulfone (optional) | 240 & 520/88-0350 4 360 & 780/88-0351 4 240 & 520/77-1233 360 & 780/77-1234 | |



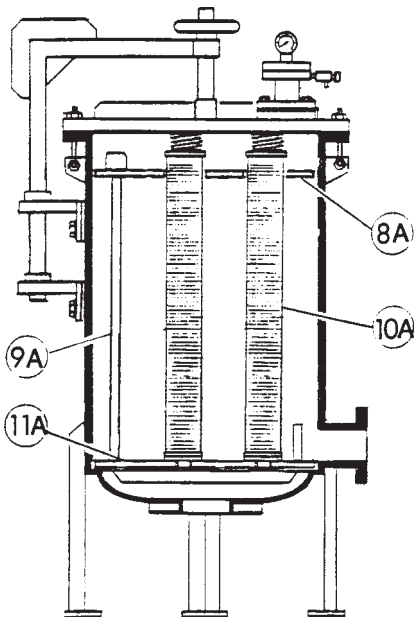
WITH FILTER CARTRIDGES



WITH SLEEVE-TYPE
FILTER CARTRIDGES



WITH FILTER CARTRIDGES

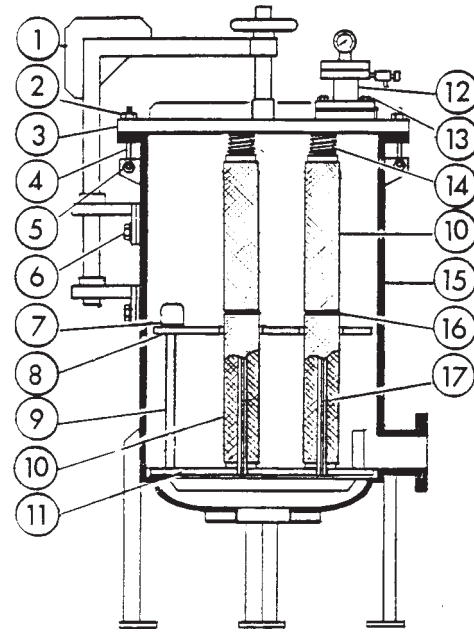


**WITH SLEEVE-TYPE
FILTER CARTRIDGES**

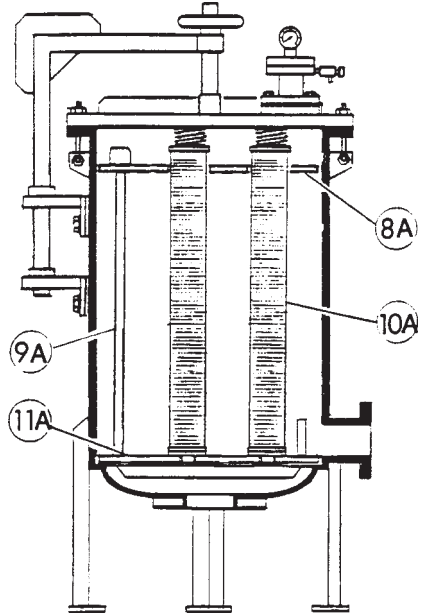
| | | MODELS B540 & B900 22" DIA. | MODELS 870 & 1450 22" DIA. |
|--------------------|---|--|----------------------------------|
| No. of columns | | 18 | 29 |
| Model-No. of decks | | B540 - 3 Decks | 870 - 3 Decks |
| Model-No. of decks | | B900 - 5 Decks | 1450 - 5 Decks |
| ITEM | DESCRIPTION | PART NUMBER | |
| 1 | Davit cover lift (Optional) | 77-0159 | |
| 2 | Hex nut - plated steel 1/2"-13 5/8"-11 | 11-0254 | |
| | Flat washer - plated steel 1/2" size 5/8" " | 11-0619 | |
| 3 | Filter chamber cover - Rubber-lined stl. Model R - Hypalon " " " H | 77-1077 77-1111 | |
| 4 | Swing bolt, 1/2"-13 x 5-3/4" - stainless steel | 11-0474 1 | |
| 5 | Clevis Pin - stainless steel E-ring - steel | 11-0559 1 11-0547 | |
| 6 | Hex bolt, 1/2"-13 x 7/8" long - stainless steel Flat washer, 1/2" size - stainless steel | 11-0352 11-0124 | |
| 7 | Cap, 1/2" NPT - CPVC | 33-0873 | |
| 8 | Top separator plate - CPVC | 88-0884 | |
| 8A | For filter cartridges | 88-0884 | 88-0885 |
| | For sleeve-type cartridges | 88-0884 | 88-0885 |
| 9 | Support rod - CPVC (3 req'd) | B450/88-0892 3 | 870/88-0892 3 |
| 9A | For filter cartridges | B900/88-0892 5 | 1450/88-0892 5 |
| | For sleeve-type cartridges | B450/88-0894 3 | 870/88-0894 3 |
| | | B900/88-0894 5 | 1450/88-0894 5 |
| 10 | Filter cart. - Refer to Bulletin M-109-2 | B450/99-0706 | |
| 10A | Sleeve type filter cartridges - Refer to Parts List P-8600 | B900/99-0708 | 1450/99-0708 |
| 11 | Bottom separator plate - CPVC | 77-0819 | |
| 11A | For filter cartridges | 77-0819 1 | 77-0820 |
| | For sleeve-type cartridges | 77-0819 1 | 77-0820 1 |
| 12 | Gauge guard - GS Refer to Parts List P-2300 (Includes CPVC vent valve) | 99-0734 | |
| | Vent valve only | 33-1721 | |
| 13 | Hex bolt, 1/2"-13 x 1" long - stn. steel | 11-0350 | |
| 14 | Top seat plate assembly - polypropylene (w/vinyl coated steel spring) | 77-0701 | |
| | Top seat plate only - CPVC | 77-0701 A | |
| | Spring only - vinyl coated 316 stn. steel | 77-0301 1 | |
| 15 | Filter chamber - Rubber-lined steel | B450/77-1081 | 870/77-1081 |
| | - Hypalon-lined steel | B900/77-1082 | 1450/77-1082 |
| | | B540/77-1088 | 870/77-1088 |
| | | B900/77-1089 | 1450/77-1089 |
| 16 | Cartridge spacer - EPDM (std) - Viton (optional) | 22-0218 22-0204 | |
| 17 | Cross post, - CPVC (standard) - polysulfone (optional) | 88-0351 4 88-0353 3 77-1234 77-1236 | |

| MODELS 1050 & 1750 22" DIA. | MODEL B1800 28" DIA. | MODEL 3000 28" DIA. |
|-----------------------------------|----------------------------|---------------------------|
|-----------------------------------|----------------------------|---------------------------|

| | | | |
|--------------------|----------------|---------|---------|
| No. of columns | 35 | 36 | 36 |
| Model-No. of decks | 1050 - 3 Decks | 5 Decks | 5 Decks |
| Model-No. of decks | 1750 - 5 Decks | | |

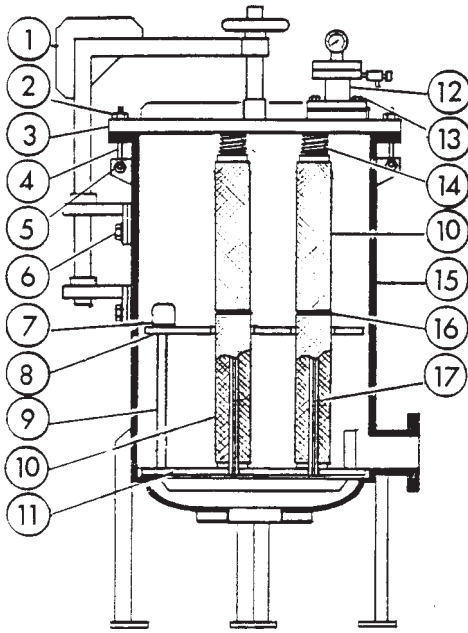


WITH FILTER CARTRIDGES

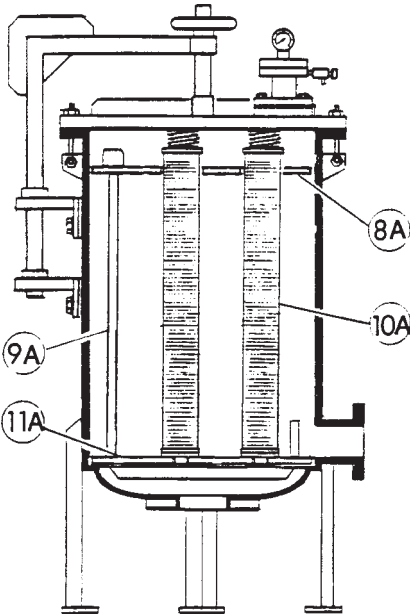


**WITH SLEEVE-TYPE
FILTER CARTRIDGES**

| ITEM | DESCRIPTION | PART NUMBER | | |
|-----------|---|--|-----------------------------------|------------------------|
| 1 | Davit cover lift (Optional) | 77-0159 | 77-0271 | |
| 2 | Hex nut -plated steel 1/2"-13 5/8"-11 Flat washer - plated steel 1/2" size 5/8" " | 11-0254 - 11-0457 - | - 11-0539 - 11-0244 | |
| 3 | Filter chamber cover - Rubber-lined stl. Model R - Hypalon " " " H | 77-1077 77-1111 | 77-1078 77-1112 | |
| 4 | Swing bolt 1/2"-13 x 5-3/4" - stn. steel 5/8"-11 x 8" long - plated steel 5/8"-11 x 5-1/2" long - plated steel | 11-0474 1 - - | - 77-0672 77-0673 | |
| 5 | Clevis pin -stainless steel E-ring - steel | | 11-0559 1 11-0547 | |
| 6 | Hex bolt, 1/2"-13 x 5-3/4" long - stainless steel Flat washer, 1/2" size - stainless steel | | 11-0352 11-0124 | |
| 7 | Cap, 1/2" NPT - CPVC | | 33-0873 | |
| 8 8A | Top separator plate - CPVC - For filter cartridges - For sleeve-type cartridges | 88-0886 88-0886 | 88-0887 - | 88-0888 88-0888 |
| 9 9A | Support rod - CPVC - For filter cartridges - For sleeve-type cartridges | (3 req'd) 88-0892 3 88-0892 5 | (6 req'd) 88-0892 5 | (5 req'd) 88-0894 5 |
| 10 10A | Filter cartridges - Refer to Bulletin M-109-2 Sleeve type filter cartridges - Refer to Parts List P-8600 | - - | 99-0708 | - - |
| 11 11A | Bottom separator plate - CPVC - For filter cartridges - For sleeve-type cartridges | 77-0821 - | 77-0822 77-0822 1 | 77-0823 - |
| 12 | Gauge guard - GS Refer to Parts List P-2300 (Includes CPVC vent valve) Vent valve only | | 99-0734 33-0051 | |
| 13 | Hex bolt, 1/2"-13 x 1" long - stn. steel | | 11-0350 | |
| 14 | Top seat plate ass'y. - polypropylene (w/vinyl coated steel spring) Top seat plate only - CPVC Spring only - vinyl coated 316 stn. steel | | 77-0701 77-0701 A 77-0301 1 | |
| 15 | Filter chamber - Rubber lined-steel - Hypalon lined-steel | 1050/77-1081 1750/77-1082 1050/77-1088 1750/77-1089 | 77-1083 77-1090 | |
| 16 | Cartridge spacer - EPDM (standard) - Viton (optional) | | 22-0218 22-0204 | |
| 17 | Cross post - CPVC (standard) - polysulfone (optional) | 1050/88-0351 4 1750/88-0353 3 1050/77-1234 1750/77-1236 | 88-0353 3 77-1236 | |



WITH FILTER CARTRIDGES



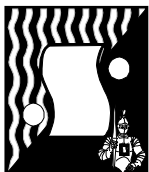
**WITH SLEEVE-TYPE
FILTER CARTRIDGES**

| | | MODELS B3000 32" DIA. | MODEL 4450 32" DIA. | MODEL B4450 44" DIA. |
|----------------|---|--------------------------------------|------------------------------------|-------------------------------------|
| No. of columns | | 60 | 89 | 89 |
| No. of decks | | 5 Decks | 5 Decks | 5 Decks |
| ITEM | DESCRIPTION | PART NUMBER | | |
| 1 | Davit cover lift (Optional) | 77-0272 | | 77-0550 |
| 2 | Hex nut - plated steel 1/2"-13 5/8"-11 Flat washer- plated steel 1/2" size 5/8" " | 11-0539 | | |
| 3 | Filter chamber cover - Rubber-lined stl. Model R - Hypalon " " " H | 77-1115 77-1113 | 77-1116 77-1114 | |
| 4 | Swing bolt - plated steel - 5/8"-11 x 8" long - 5/8"-11 x 5-1/2" long | 77-0672 77-0673 | | |
| 5 | Clevis pin - stainless steel E-ring - steel | 11-0559 1 11-0547 | | |
| 6 | Hex bolt, 1/2"-13 x 5-3/4" long - stainless steel Flat washer, 1/2" size - stainless steel | 11-0352 11-0124 | | |
| 7 | Cap, 1/2" NPT - CPVC | 33-0873 | | |
| 8 8A | Top separator plate - CPVC - For filter cartridges - For sleeve-type cartridges | 88-0889 - | 88-0890 88-0890 | 88-0891 - |
| 9 9A | Support rod - CPVC - For filter cartridges - For sleeve-type cartridges | (6 req'd) 88-0892 3 88-0894 5 | (5 req'd) 88-0892 5 - | (5 req'd) 88-0894 5 |
| 10 10A | Filter cartridges - Refer to Bulletin M-109-2 Sleeve type filter cartridge Refer to Parts List P-8600 | 99-0708 | - | 99-0708 |
| 11 11A | Bottom separator plate, CPVC For filter tubes For sleeve-type cartridges | 77-0824 77-0824 1 | 77-0825 - | 77-0826 77-0826 1 |
| 12 | Gauge guard - GS Refer to Parts List P-2300 (Includes CPVC vent valve) Vent valve only | 99-0734 33-0051 | | |
| 13 | Hex bolt, 1/2"-13 x 1" long - stainless steel | 11-0350 | | |
| 14 | Top seat plate assembly -polypropylene (w/vinyl coated steel spring) Top seat plate only - CPVC Spring only -vinyl coated 316 SS | 77-0701 77-0701 A 77-0301 1 | | |
| 15 | Filter chamber - Rubber-lined steel - Hypalon-lined steel | 77-1084 77-1091 | | |
| 16 | Cartridge spacer - EPDM (Std) - Viton (optional) | 22-0218 22-0204 | | |
| 17 | Cross post - CPVC (standard) - polysulfone (optional) | 88-0353 3 77-1236 | | |

F.O.B. Northbrook, Illinois

Terms: Net 30 Days

Minimum order \$25.00



SERFILCO® LTD.

2900 MacArthur Blvd. 847-509-2900
Northbrook, IL 60062-2005 U.S.A. 800-323-5431
e-mail: sales@serfilco.com FAX: 847-559-1995
www.serfilco.com

WESTERN

13721 Alma Avenue 310-532-0801
Gardena, CA 90249-2513 FAX: 310-532-0866