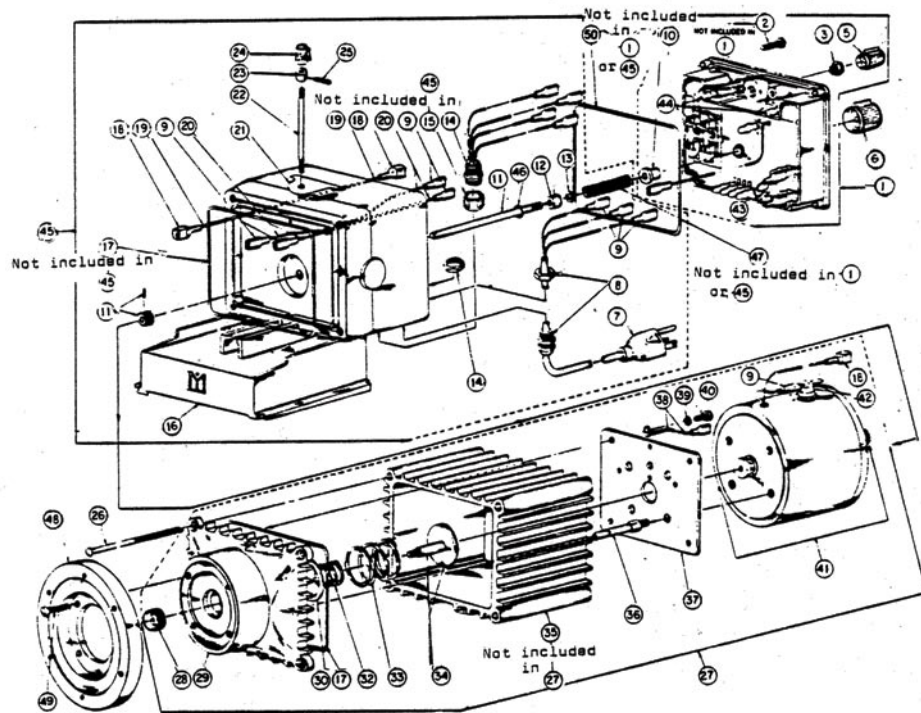


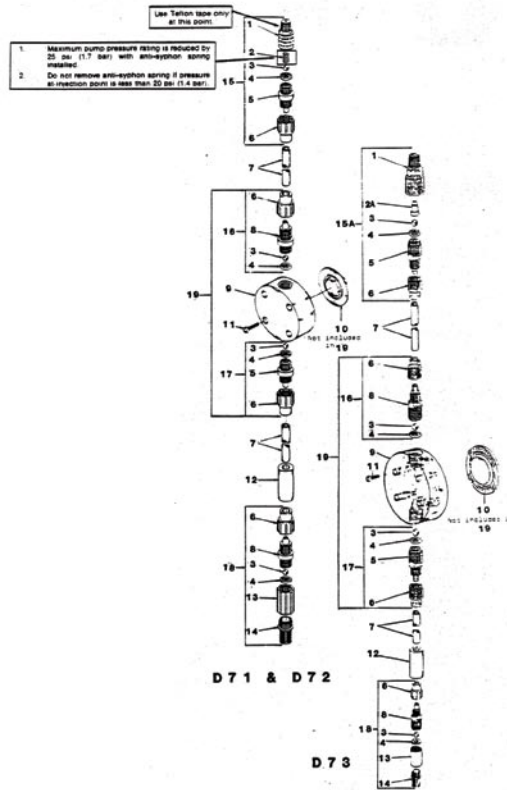


METERING PUMP SERIES "D" MODELS D71, D72, D73, D74

PARTS LIST
P-8400A
MARCH 1992



ITEM NO.	DESCRIPTION	MODEL D71 PART NO.	MODEL D72 PART NO.	MODEL D73 PART NO.	MODEL D74 PART NO.
1	Control panel - 115/1/60 - 230/1/50-60	25-0920 25-0923	25-0921 25-0924	25-0922 25-0927	25-0922 25-0927
2	Screw - 10 X 1" Pan head stainless steel (4 req'd)			25-0866	
5	Knob			25-0889	
6	Knob			25-0891	
7	Power cord - 115/1/60 - 230/1/60 - 220-240 DIN/1/50			10-0178 10-0384 10-0382	
10	Bushing			25-0849	
12	Collar			25-0424-1	
13	Retaining ring			10-0462	
14	Jack assembly			25-0907	
17	"O"-ring (2 req'd)			10-0366	
21	Label, D lock			25-0813	
22	Shaft, D lock			25-0822	
23	Collar			25-0814	
24	Knob, D lock			25-0899	
25	Set screw			25-0815	
26	Screw, round head slotted stainless steel (4 req'd)			25-0127	
27	Solenoid & spacer assembly - 115/1/60 - 230/1/50-60	25-0674 25-0676	25-0674 25-0676	25-0675 25-0677	25-0675 25-0679
28	Seal			10-0973	
29	Spacer with inserts and bushings	25-0356	25-0356	25-0357	25-0357
35	Sleeve - solenoid			25-0068-2	
36	Stud (4 req'd)			25-0306	
38	Wire assembly			25-0667	
39	Washer - fan disk (2 req'd)			10-0415	



ITEM NO.	DESCRIPTION	MODEL D71 PART NO.	MODEL D72 PART NO.	MODEL D73 PART NO.	MODEL D74 PART NO.
41	Solenoid assembly - 115V - 220-240V		25-0377 25-0389		
43	Varistor assembly - 120V - 220-240V		10-0626 10-0627		
44	Fuse - 4A rectifier - 115/1/60 (4 req'd) - 2A " - 230/1/50-60 (4 req'd)		25-0825 25-0824		
45	Housing assembly - 115/1/60 - 230/1/60 - 220-240/1/50		25-0917 25-0918 25-0919		
46	Washer		10-0476		
48	Space adapter	-	-	-	25-0887
49	Screw	-	-	-	10-0598
50	"O"-ring		10-0166		
51	Rubber bushing		25-0816		
53	"O"-ring		26-0983		
54	"O"-ring		27-0187		
55	Spacing stud		27-0552		
56	Screw, 10-24 x 4.0		27-0551		
57	Gasket		25-0121		
59	Spring		25-0414		
60	Set screw		25-0423		
61	Bracket, bare		12-0064		
62	Stroke bracket assembly		31-0899		
64	Seal		31-0103		
65	Washer		31-0914		



SERFILCO[®], LTD.

2900 MacArthur Blvd. 847-509-2900
 Northbrook, IL 60062-2005 U.S.A. 800-323-5431
 e-mail: sales@serfilco.com FAX: 847-559-1995
 www.serfilco.com