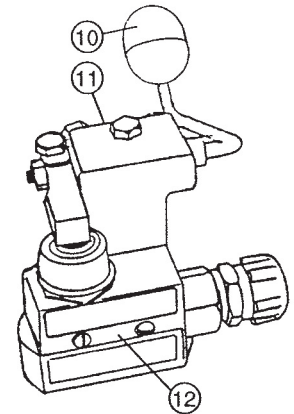
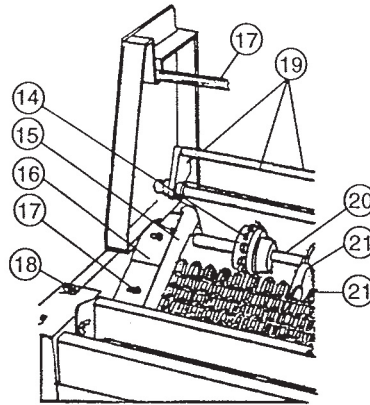
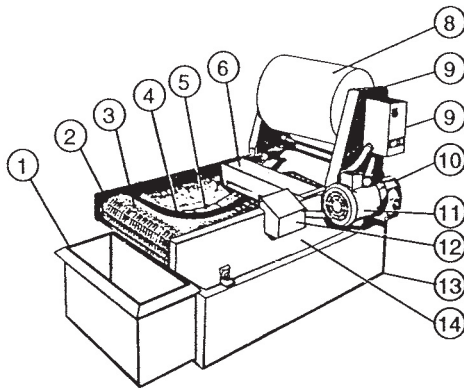




SERIES 'SPP-EP' AUTOMATIC GRAVITY FILTRATION SYSTEMS

PARTS LIST
P-8200A
NOV. 1998



ITEM	DESCRIPTION	MODELS				
		DF-4 PART NO.	DF-8 PART NO.	DF-11 PART NO.	DF-15 PART NO.	DF-17 PART NO.
1	Sludge box, polyethylene	49-0735	49-0736	49-0737		49-0738
2	Conveyor sprockets, polypropylene 4" 6"	49-0586				- 49-0587
3	Conveyor belt, polypropylene	49-0564	49-0565	49-0569	49-0570	49-0573
4	Seal strips, PVC	49-0500		49-0654	49-0655	49-0658
5	Seal hold-down plate	49-0513				
6	Diffuser tray, carbon steel w/ epoxy coating	49-0539 49-0539A	49-0540 49-0540A	49-0541 49-0541A		49-0542 49-0542A
7	Disposa-Fabric, See Operating Instruction O-280 for fabric selection.					
8	Fabric roll bracket	49-0514	49-0598			
9	Motor starter, Magnetic NEMA 1	49-0667				
10	Speed reducer	49-0516	49-0648	49-0649		49-0650
11	Motor, 1/3 H.P. - 115/1/60 1/2 H.P. - 115/1/60	49-0529				- 49-0530
12	Micro switch	49-0504				
13	Filter tank, carbon steel w/epoxy coating	49-0637 49-0637A	49-0638 49-0638A	49-0642 49-0642A	49-0643 49-0643A	49-0646 49-0646A
14	Frame, carbon steel w/epoxy coating	49-0611 49-0522	49-0612 49-0612A	49-0616 49-0616A	49-0617 49-0617A	49-0620 49-0620A
15	Wing nut, 5/16-18 stainless steel	11-0514				
16	Hex head bolt, 5/16-18x3/4" stainless steel Flat washer, 5/16 size stainless steel	11-0315 11-0122				
17	Fabric tube holder	49-0523	49-0526	49-0527		49-0528
18	Fabric hold-down bar assembly	49-0518	49-0532	49-0533		49-0534
19	Conveyor shaft, steel	49-0519	49-0660	49-0661		49-0662
20	Nylon wear strips	49-0521	49-0588	49-0592		49-0596
21	Conveyor support ribs, epoxy coated steel	49-0734A	49-0664A	49-0665A		49-0666A
22	Float	49-0505				
23	Float rod assembly	49-0506				
24	Micro switch cover (not shown)	49-0517				
25	Conveyor shaft bearing, Delrin® (not shown)	49-0525				
26	Conveyor pulley 4" (not shown) 6" (not shown)	49-0692	-	-		- 49-0693

© Delrin is a Registered Trademark of DuPont.
F.O.B. Northbrook, Illinois

Terms: Net 30 Days



SERFILCO®

2900 MacArthur Blvd. (800) 323-5431
Northbrook, IL. 60062-2005 U.S.A. (847) 509-2900
email: sales@serfilco.com Fax: (847) 559-1141
www.serfilco.com