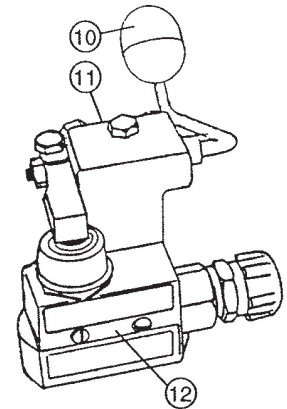
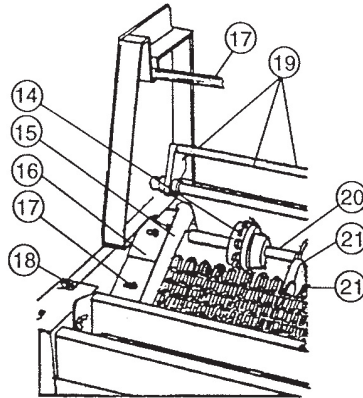
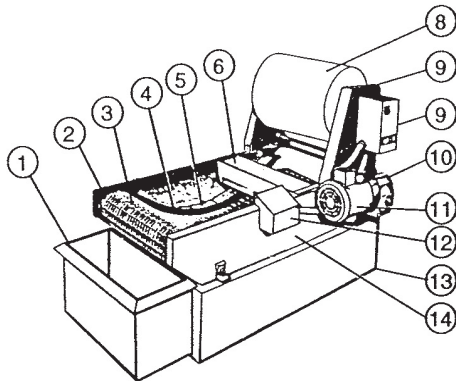
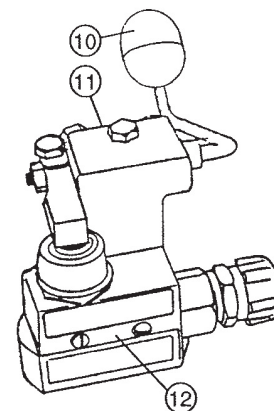
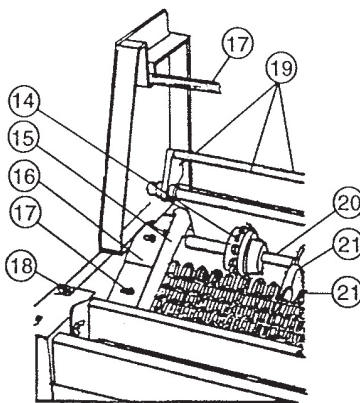
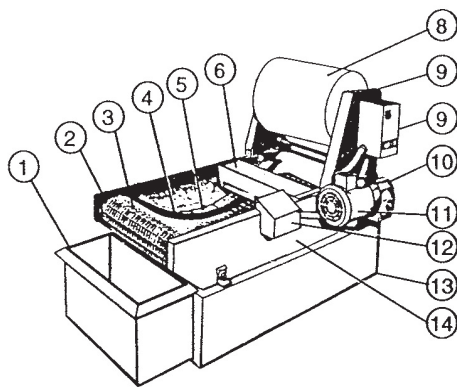




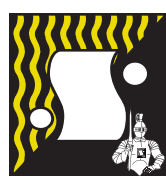
SERIES 'CPP' AUTOMATIC GRAVITY FILTRATION SYSTEMS



ITEM	DESCRIPTION	MODELS				
		DF-4 PART NO.	DF-8 PART NO.	DF-11 PART NO.	DF-15 PART NO.	DF-17 PART NO.
1	Sludge box, polyethylene	49-0735	49-0736			
2	Conveyor sprockets, polypropylene 4" 6"	49-0586				
3	Conveyor belt, polypropylene	49-0564	49-0565	49-0566	49-0557	49-0568
4	Seal strips, PVC	49-0500	49-0500	49-0651	49-0652	49-0653
5	Seal hold-down strip, polypropylene	49-0739	49-0739	49-0740	49-0741	49-0742
6	Diffuser tray, polypropylene	49-0749	49-0750			
7	Disposa-Fabric, See Operating Instruction O-280 for fabric selection.					
8	Motor starter, Magnetic NEMA 1	49-0667				
9	Speed reducer, carbon steel	49-0516	49-0648			49-0649
10	Motor, 1/3 H.P. - 115/1/60 1/2 H.P. - 115/1/60 3/4 H.P. - 115/1/60	49-0529				
11	Filter tank, polypropylene	49-0575	49-0576	49-0577	49-0758	49-0579
12	Frame, CPVC	49-0543	49-0544	49-0910	49-0546	49-0547
13	Float, polypropylene	49-0505				
14	Float rod assembly	49-0506				
15	Micro switch	49-0504				
16	Hex head bolt, PVC 5/16-18x3/4" Flat washer, PVC 5/16 size	49-0753				
		49-0754				
17	Fabric tube holder, carbon steel	49-0523	49-0526			
18	Fabric hold-down assembly	49-0518	49-0532			
19	Conveyor shaft, 316 stainless steel	49-0535-1	49-0536-1			
20	Nylon wear strips	49-0521	49-0588	49-0589	49-0590	49-0591
21	Conveyor support ribs, CPVC	49-0755	49-0756			
22	Chain guard, carbon steel (not shown)	49-0759				49-0760
23	Chain (not shown)	49-0681	49-0682			49-0683
24	Reducer sprocket, carbon steel (not shown)	49-0687	49-0688			
25	Micro switch cover, PVC (not shown)	49-0762				
26	Conveyor shaft bearing, Delrin® (not shown)	49-0525				
27	Conveyor pulley 4" (not shown) 6" (not shown)	49-0763				



ITEM	DESCRIPTION	MODELS					
		DF-19 PART NO.	DF-24 PART NO.	DF-27 PART NO.	DF-29 PART NO.	DF-40 PART NO.	DF-57 PART NO.
1	Sludge box, polyethylene	49-0737		49-0738			
2	Conveyor sprockets, polypropylene 4" 6"	49-0586		-			
				49-0587			
3	Conveyor belt, polypropylene	49-0569	49-0570	49-0571	49-0572	49-0573	49-0574
4	Seal strips, PVC	49-0654	49-0655	49-0656	49-0657	49-0658	49-0659
5	Seal hold-down strip, polypropylene	49-0743	49-0744	49-0745	49-0746	49-0747	49-0748
6	Diffuser tray, polypropylene	49-0751		49-0752			
7	Disposa-Fabric. See Operating Instruction O-280 for fabric selection.						
8	Motor stator, Magnetic NEMA 1	49-0667					
9	Speed reducer, carbon steel	49-0649		49-0650			
10	Motor, 1/3 H.P. - 115/1/60 1/2 H.P. - 115/1/60 3/4 H.P. - 115/1/60	49-0529		-	-	-	-
				49-0530	49-0530	-	49-0531
11	Filter tank, polypropylene	49-0580	49-0581	49-0582	49-0583	49-0584	49-0585
12	Frame, CPVC	49-0548	49-0549	49-0550	49-0551	49-0552	49-0911
13	Float, polypropylene	49-0505					
14	Float rod assembly	49-0506					
15	Micro switch	49-0504					
16	Hex head bolt, PVC 5/16-18x3/4" Flat washer, PVC 5/16 size	49-0753 49-0754					
17	Fabric tube holder, carbon steel	49-0527		49-0528			
18	Fabric hold-down assembly	49-0533		49-0534			
19	Conveyor shaft, 316 stainless steel	49-0537-1		49-0538-1			
20	Nylon wear strips	49-0592	49-0593	49-0594	49-0595	49-0596	49-0597
21	Conveyor support ribs, CPVC	49-0757		49-0758			
22	Chain guard, carbon steel (not shown)	49-0760			49-0761		
23	Chain (not shown)	49-0683					
24	Reducer sprocket, carbon steel (not shown)	49-0689		49-0690			
25	Micro switch cover, PVC (not shown)	49-0762					
26	Conveyor shaft bearing, Delrin® (not shown)	49-0525					
27	Conveyor pulley 4" (not shown) 6" (not shown)	-	-	49-0764			



SERFILCO®

2900 MacArthur Blvd. (800) 323-5431
 Northbrook, IL. 60062-2005 U.S.A. (847) 509-2900
 email: sales@serfilco.com Fax: (847) 559-1141
 www.serfilco.com