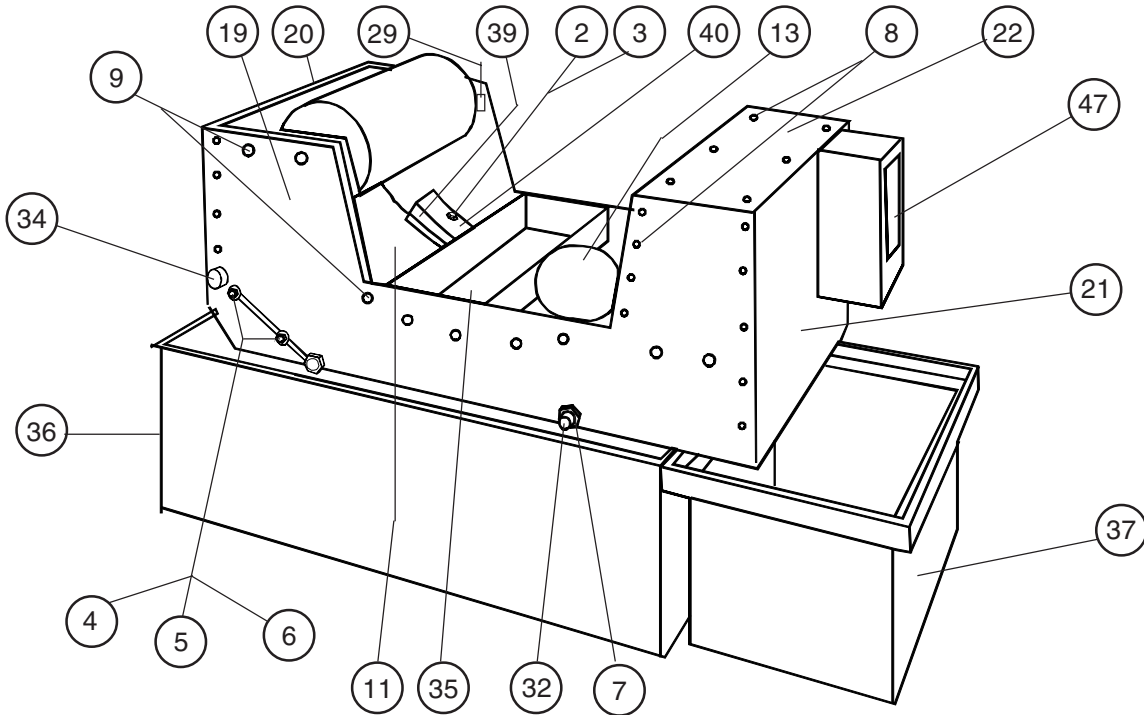




# SERIES 'DF' AUTOMATIC FABRIC FILTRATION SYSTEM

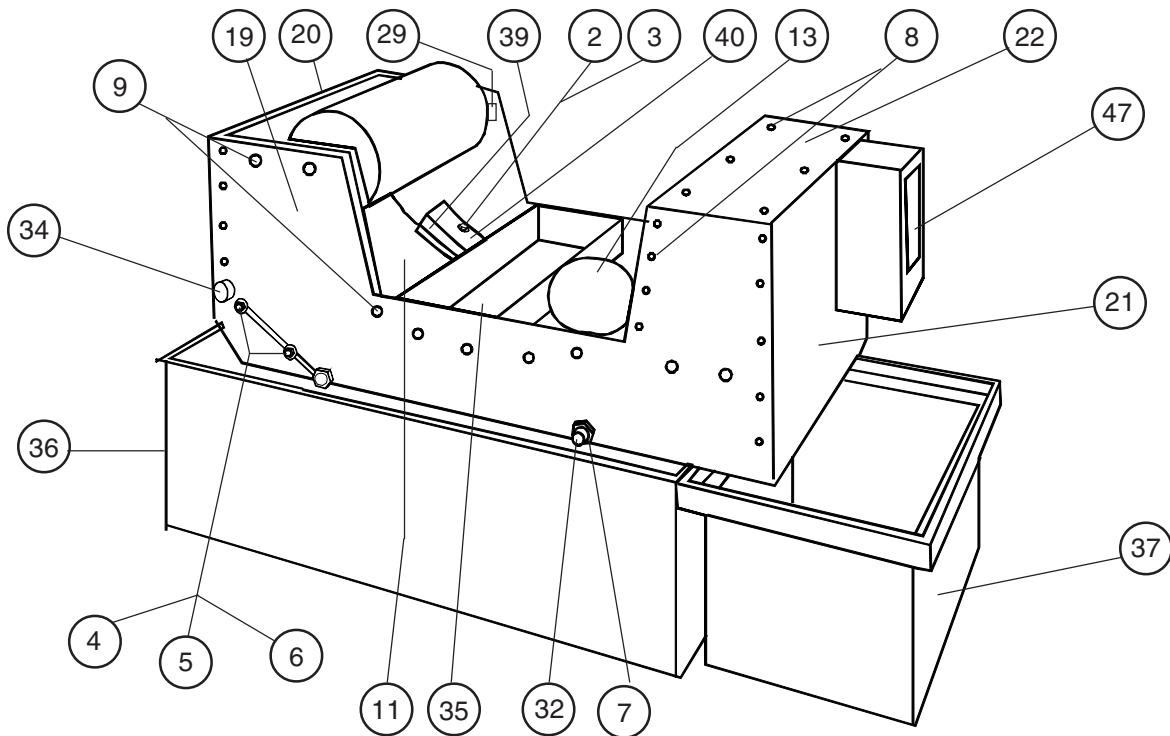
## MODELS: DFS-1.5-PP and DFS-1.5-CPP

PARTS LIST  
P-8050B  
MAY 2001



Refer to Bulletin F-701, Operation and Service Guide O-285 and Master Price List F-800.

ITEM	DESCRIPTION	PART NUMBERS	
		DFS-1.5-PP POLYPROPYLENE	DFS-1.5-CPP CPVC
1	Whizz lock nut 1/4"-20 - stn. steel (4 req'd) not shown	11-0103	
2	Machine screw 5/16"-18 x 1 1/2" - CPVC (14 req'd)	11-0636	
3	Washer 3/8" - CPVC (14 req'd)	33-0394	
4	Flat washer 3/8" - stainless steel (8 req'd)	11-0126	
5	Lock washer 3/8" - stainless steel (8 req'd)	11-0140	
6	Hex head cap screw 3/8"-16 x 1 1/4" - 316 SS (8 req'd)	11-0372	
7	Hex head nut 3/4"-10 - stainless steel (4 req'd)	11-0590	
8	Button head screw 10-24 x 1" - stn. steel (32 req'd)	11-0671	
9	Button head screw 1/4"-20 x 1" - stn. steel (20 req'd)	11-0672	
10	Washer, 1/4" - nylon (3 req'd)	11-2182	
11	Conveyor belt, Series 200 - polypropylene	49-0420	
12	Micro switch, not shown	49-0504	
13	Float ball - polypropylene	49-0505	
14	Switch actuator, not shown	49-0545	
16	Sprocket, conveyor - polypropylene (4 req'd)	49-0586	
17	Rod holder, not shown	49-0828 B	49-0828 A
18	Switch holder, not shown	49-0834 B	49-0834 A
19	Side (2 req'd)	49-3000 1	49-3000
20	End plate (idle-side)	49-3001 1	49-3001
21	End plate (drive-side)	49-3002 1	49-3002
22	Cover plate (drive-end)	49-3003 1	49-3003
23	Chain guard (drive-end), not shown	49-3004 1	49-3004
24	Rib, belt, not shown (2 req'd)	49-3005 1	49-3005
25	Shaft (drive sprocket) - PVC, not shown	49-3006	



ITEM	DESCRIPTION	PART NUMBERS	
		DFS-1.5-PP POLYPROPYLENE	DFS-1.5-CPP CPVC
26	Shaft (idle sprocket) - PVC, not shown	49-3007	
27	Pillow block (idle-side) - Delrin (3 req'd), not shown	49-3008	
28	Pillow block (drive-side)- Delrin, not shown	49-3009	
29	Block, support (2 req'd)	49-3010 1	49-3010
30	End spacer (4 req'd), not shown	49-3011 1	49-3011
31	Center spacer (2 req'd), not shown	49-3012 1	49-3012
32	Tie rod (2 req'd)	49-3013 1	49-3013
33	Roll rod, not shown	49-3014 1	49-3014
34	Guide rod	49-3015 1	49-3015
35	Tray assembly - PVC	49-3018	
36	Tank, clean reservoir - polypropylene	49-3019	
37	Tank, sludge box - polyethylene	49-3020	
38	Seal support (2 req'd), not shown	49-3021 1	49-3021
39	Seal - vinyl (2 req'd)	49-3022	
40	Retainer seal (2 req'd)	49-3023 1	49-3023
41	Float rod - stainless steel, not shown	49-3024	
42	Motor sprocket - steel, not shown	49-3025	
43	Shaft sprocket - steel, not shown	49-3026	
44	Roller chain - steel, not shown	49-3027	
45	Motor, gearhead, not shown 1/15 HP, 19 RPM - 115/1/60	66-1243	
46	Bracket, 'L' mounting- steel, not shown	66-1244	
47	Starter, magnetic	66-1197 A	