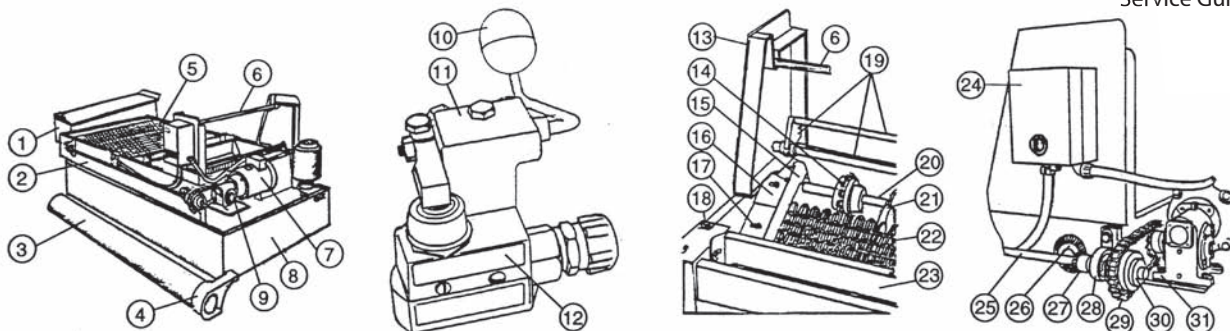




# AUTOMATIC GRAVITY FILTRATION SYSTEMS SERIES 'SS'

PARTS LIST  
P-8005  
JAN. 2007

Refer to Bulletin F-701,  
Operating Instruction and  
Service Guide O-280.



ITEM	DESCRIPTION	MODELS	PART NUMBERS					
			DF-19	DF-24	DF-27	DF-29	DF-40	DF-57
1	Sludge box - 304 stainless steel - 316 stainless steel		49-0696 49-0696 1	49-0696 49-0696 1	49-0697 49-0697 1	49-0697 49-0697 1	49-0697 49-0697 1	49-0697 49-0697 1
2	Frame - 304 stainless steel - 316 stainless steel		49-0710 49-0710 1	49-0711 49-0711 1	49-0712 49-0712 1	49-0713 49-0713 1	49-0714 49-0714 1	49-0715 49-0715 1
3	Drive shaft guard - carbon steel		49-0558	49-0559	49-0560	49-0561	49-0562	49-0563
4	Chain guard - carbon steel		49-0624	49-0624	49-0625	49-0625	49-0625	49-0625
5	Conveyor belt - 304 stainless steel - 316 stainless steel		49-0016 49-0048	49-0019 49-0050	49-0022 49-0052	49-0025 49-0054	49-0028 49-0056	49-0031 49-0058
6	Fabric tube holder		49-0527	49-0527	49-0528	49-0528	49-0528	49-0528
7	Motor - 1/3 HP - 115/1/60 - 1/2 HP - 115/1/60 - 3/4 HP - 115/1/60		59-0529 - -	59-0529 - -	59-0529 - -	- 49-0530 -	- 49-0530 -	- - 49-0531
8	Filter tank - 304 stainless steel - 316 stainless steel		49-0721 49-0721 1	49-0722 49-0722 1	49-0723 49-0723 1	49-0724 49-0724 1	49-0725 49-0725 1	49-0726 49-0726 1
9	Speed reducer - carbon steel		49-0649	49-0649	49-0650	49-0650	49-0650	49-0650
10	Float - polypropylene		49-0505	49-0505	49-0505	49-0505	49-0505	49-0505
11	Float rod assembly		49-0506	49-0506	49-0506	49-0506	49-0506	49-0506
12	Micro switch		49-0504	49-0504	49-0504	49-0504	49-0504	49-0504
13	Fabric roll bracket - carbon steel		49-0598	49-0598	49-0598	49-0598	49-0598	49-0598
14	Conveyor sprocket - 304 stainless steel 4" - 316 stainless steel 4" - 304 stainless steel 6" - 316 stainless steel 6"		49-0698 49-0698 1 - -	49-0698 49-0698 1 - -	- - 49-0699 49-0699 1	- - 49-0699 49-0699 1	- - 49-0699 49-0699 1	- - 49-0699 49-0699 1
15	Seal strips - PVC		49-0654	49-0655	49-0656	49-0657	49-0658	49-0659
16	Seal hold-down plate		49-0513	49-0513	49-0513	49-0513	49-0513	49-0513
17	Hex head bolt, 5/16"-18 x 3/4" - stainless steel Flat washer, 5/16" size - stainless steel		11-0315 11-0122	11-0315 11-0122	11-0315 11-0122	11-0315 11-0122	11-0315 11-0122	11-0315 11-0122
18	Wing nut, 5/16"-18 - stainless steel		11-0514	11-0514	11-0514	11-0514	11-0514	11-0514
19	Fabric hold-down bar assembly		49-0533	49-0533	49-0534	49-0534	49-0534	49-0534
20	Conveyor shaft - 304 stainless steel - 316 stainless steel		49-0537 49-0537 1	49-0537 49-0537 1	49-0538 49-0538 1	49-0538 49-0538 1	49-0538 49-0538 1	49-0538 49-0538 1
21	Nylon wear strip		49-0592	49-0593	49-0594	49-0595	49-0596	49-0597
22	Conveyor support ribs - 304 stainless steel - 316 stainless steel		49-0728 49-0728 1	49-0728 49-0728 1	49-0729 49-0729 1	49-0729 49-0729 1	49-0729 49-0729 1	49-0729 49-0729 1
23	Diffuser tray - 304 stainless steel - 316 stainless steel		49-0732 49-0732 1	49-0732 49-0732 1	49-0733 49-0733 1	49-0733 49-0733 1	49-0733 49-0733 1	49-0733 49-0733 1
24	Motor starter - magnetic NEMA 1		49-0667	49-0667	49-0667	49-0667	49-0667	49-0667
25	Drive shaft - carbon steel		49-0672	49-0673	49-0674	49-0675	49-0676	49-0677
26	Conveyor shaft bevel gear		49-0512	49-0512	-	-	-	-
27	Line shaft bevel pinion		49-0510	49-0510	-	-	-	-
28	Pillow block bearing		49-0679	49-0679	49-0680	49-0680	49-0680	49-0680
29	Chain		49-0683	49-0683	49-0683	49-0683	49-0683	49-0683
30	Torque limiter		49-0685	49-0685	49-0686	49-0686	49-0686	49-0686
31	Reducer sprocket - carbon steel		49-0689	49-0689	49-0690	49-0690	49-0690	49-0690
32	Micro switch cover (not shown)		49-0517	49-0517	49-0517	49-0517	49-0517	49-0517
33	Conveyor shaft bearing - Delrin (not shown)		49-0525	49-0525	49-0525	49-0525	49-0525	49-0525
34	Conveyor pulley 4" (2 req'd) (not shown) 6" (5 req'd) (not shown)		- -	- -	- 49-0693	- 49-0693	- 49-0693	- 49-0693
35	Disposa-Fabric - see operating instructions O-280 for fabric selection							

F.O.B. Northbrook, Illinois

Terms: Net 30 Days

Minimum order \$50.00



## SERFILCO®

2900 MacArthur Blvd.  
Northbrook, IL 60062-2005 U.S.A.  
e-mail: sales@serfilco.com

847-509-2900  
800-323-5431  
FAX: 847-559-1995

www.serfilco.com