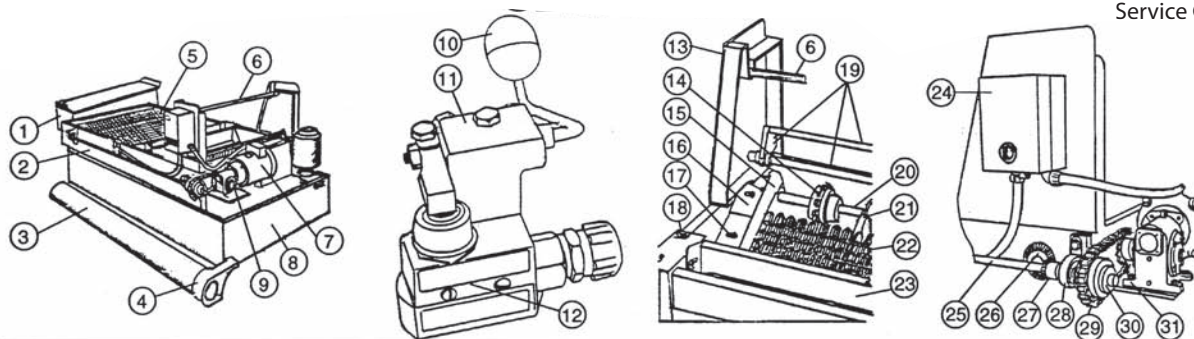




AUTOMATIC GRAVITY FILTRATION SYSTEMS SERIES 'SS' (Manufactured prior to 1998)

PARTS LIST
P-8000
NOV. 1998

Refer to Bulletin F-701,
Operating Instruction and
Service Guide O-280.



ITEM	DESCRIPTION	MODELS	DF-4	DF-8	DF-11	DF-15	DF-17
			PART NUMBERS				
1	Sludge box - 304 stainless steel - 316 stainless steel		49-0694	49-0695	49-0695	49-0695	49-0695
			49-0694 1	49-0695 1	49-0695 1	49-0695 1	49-0695 1
2	Frame - 304 stainless steel - 316 stainless steel		49-0705	49-0706	49-0707	49-0708	49-0709
			49-0705 1	49-0706 1	49-0707 1	49-0708 1	49-0709 1
3	Drive shaft guard - carbon steel		-	49-0554	49-0555	49-0556	49-0557
4	Chain guard - carbon steel		49-0622	49-0623	49-0623	49-0623	49-0624
5	Conveyor belt - 304 stainless steel - 316 stainless steel		49-0001	49-0004	49-0007	49-0010	49-0013
			49-0038	49-0040	49-0042	49-0044	49-0046
6	Fabric tube holder		49-0523	49-0526	49-0526	49-0526	49-0526
7	Motor - 1/3 HP - 115/1/60 - 1/2 HP - 115/1/60 - 3/4 HP - 115/1/60		49-0529	49-0529	49-0529	49-0529	49-0529
			-	-	-	-	-
			-	-	-	-	-
8	Filter tank - 304 stainless steel - 316 stainless steel		49-0716	49-0717	49-0718	49-0719	49-0720
			49-0716 1	49-0717 1	49-0718 1	49-0719 1	49-0720 1
9	Speed reducer - carbon steel		49-0516	49-0648	49-0648	49-0648	49-0649
10	Float - polypropylene		49-0505	49-0505	49-0505	49-0505	49-0505
11	Float rod assembly		49-0506	49-0506	49-0506	49-0506	49-0506
12	Micro switch		49-0504	49-0504	49-0504	49-0504	49-0504
13	Fabric roll bracket - carbon steel		49-0514	49-0598	49-0598	49-0598	49-0598
14	Conveyor sprocket - 304 stainless steel 4" - 316 stainless steel 4" - 304 stainless steel 6" - 316 stainless steel 6"		49-0698	49-0698	49-0698	49-0698	49-0698
			49-0698 1	49-0698 1	49-0698 1	49-0698 1	49-0698 1
			-	-	-	-	-
			-	-	-	-	-
15	Seal strips - PVC		49-0500	49-0500	49-0651	49-0652	49-0653
16	Seal hold-down plate		49-0513	49-0513	49-0513	49-0513	49-0513
17	Hex head bolt, 5/16" - 18 x 3/4" - stainless steel Flat washer, 5/16" size - stainless steel		11-0315	11-0315	11-0315	11-0315	11-0315
			11-0122	11-0122	11-0122	11-0122	11-0122
18	Wing nut, 5/16" - 18 - stainless steel		11-0514	11-0514	11-0514	11-0514	11-0514
19	Fabric hold-down bar assembly		49-0518	49-0532	49-0532	49-0532	49-0532
20	Conveyor shaft - 304 stainless steel - 316 stainless steel		49-0535	49-0536	49-0536	49-0536	49-0536
			49-0535 1	49-0536 1	49-0536 1	49-0536 1	49-0536 1
21	Nylon wear strip		49-0521	49-0588	49-0589	49-0590	49-0591
22	Conveyor support ribs - 304 stainless steel - 316 stainless steel		49-0524	49-0727	49-0727	49-0727	49-0727
			49-0524 1	49-0727 1	49-0727 1	49-0727 1	49-0727 1
23	Diffuser tray - 304 stainless steel - 316 stainless steel		49-0730	49-0731	49-0731	49-0731	49-0731
			49-0730 1	49-0731 1	49-0731 1	49-0731 1	49-0731 1
24	Motor starter - magnetic NEMA 1		49-0667	49-0667	49-0667	49-0667	49-0667
25	Drive shaft - carbon steel		-	49-0668	49-0669	49-0670	49-0671
26	Conveyor shaft bevel gear		-	49-0511	49-0511	49-0511	49-0512
27	Line shaft bevel pinion		-	49-0509	49-0509	49-0509	49-0510
28	Pillow block bearing		-	49-0678	49-0678	49-0678	49-0679
29	Chain		49-0681	49-0682	49-0682	49-0682	49-0683
30	Torque limiter		-	49-0684	49-0684	49-0684	49-0685
31	Reducer sprocket - carbon steel		49-0687	49-0688	49-0688	49-0688	49-0689
32	Micro switch cover (not shown)		49-0517	49-0517	49-0517	49-0517	49-0517
33	Conveyor shaft bearing - Delrin (not shown)		49-0525	49-0525	49-0525	49-0525	49-0525
34	Conveyor pulley 4" (2 req'd) (not shown) 6" (5 req'd) (not shown)		49-0692	-	-	-	-
			-	-	-	-	-
35	Disposa-Fabric - see operating instructions O-280 for fabric selection						

F.O.B. Northbrook, Illinois

Terms: Net 30 Days

Minimum order \$50.00



SERFILCO®

2900 MacArthur Blvd.
Northbrook, IL 60062-2005 U.S.A.
e-mail: sales@serfilco.com

847-509-2900
800-323-5431
FAX: 847-559-1995

www.serfilco.com