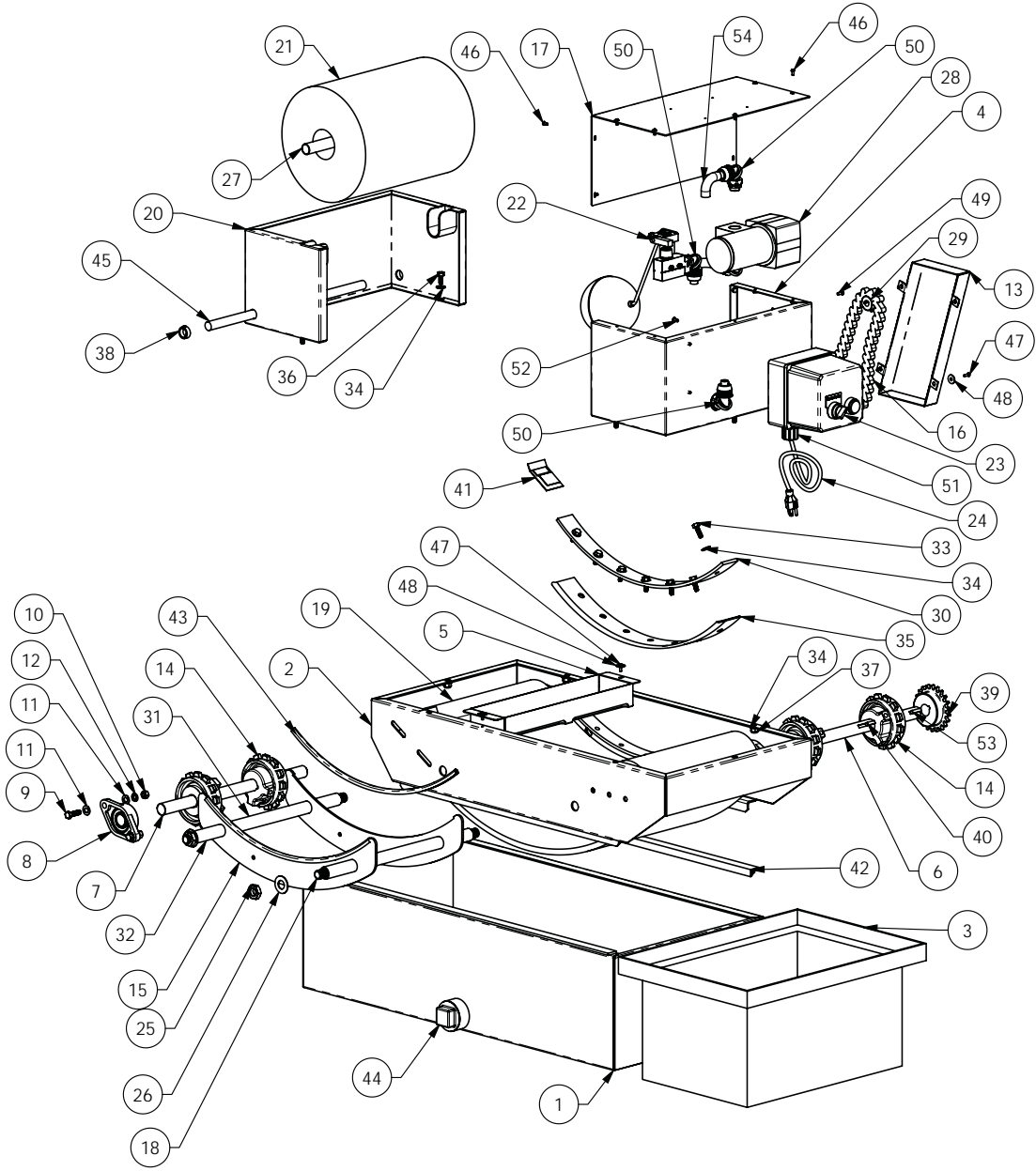




# SERIES 'DF' AUTOMATIC FABRIC FILTRATION SYSTEM MODELS: DFS-1.5-S and DFS-1.5-SS



Bulletin	F-701
Operation & Service Guide	O-280

Item	Description	Qty	Part No.	
			DFS-1.5-S	-SS
1	RESERVOIR TANK ASSEMBLY,	1	49-5020	SS
2	HOUSING ASSEMBLY	1	49-5021	SS
3	SLUDGE BOX, POLYETHYLENE	1	49-0735	
4	MOTOR HOUSING	1	49-5006	SS
5	DIFFUSER TRAY	1	49-5024	SS
6	DRIVE SHAFT 303 SS	1	49-5040	
7	IDLE SHAFT 303 SS	1	49-5009	
8	BEARING, FLANGED PILLOW	4	49-5004	SS
9	BOLT, HEX HD CAP SS 3/8-16X1-1/4	8	11-0372	
10	HEX NUT 3/8"-16 SS	8	11-0105	
11	FLAT WASHER SS 3/8"	16	11-0126	
12	LOCK WASHER SS 3/8"	8	11-0140	
13	CHAIN GUARD	1	49-5039	SS
14	CONVEYOR SPROCKET	4	49-0520	SS
15	BELT SUPPORT RIB	2	49-5030	SS
16	CHAIN, ROLLER	1	49-5167	
17	MOTOR HOUSING COVER	1	49-5026	SS
18	TIE ROD, STEEL	2	49-5042	
19	CONVEYER BELT, SS	1	49-5180-1	
20	PAPER HOUSING ASSEMBLY	1	49-5011	SS
21	MEDIA	1	BUL F-701	
22	FLOAT BALL ASSEMBLY	1	49-5212	
23	SA4 MOTOR STARTER, NEMA 4X	1	66-1197-A	
24	LINE CORD W/PLUG 8'	1	66-0712	
25	3/4-10 HEX HEAD JAM NUT SS	4	11-0589	
26	FLAT WASHER, TEFLON	4	11-3017	
27	PIPE, PAPER ROLL STEEL	1	66-1426-1	
28	MOTOR, GEARHEAD 115/1/60	1	66-1243	
29	MOTOR SPROCKET, STEEL	1	49-3025	
30	HOLD-DOWN PLATE, PP	2	49-5014	
31	LONG SPACER , 10-1/8 " LG	2	49-5097	SS
32	SHORT SPACER, 3-3/8" LG	4	49-5036	SS
33	HX HD CAP SCREW, SS 5/16-18 X 1"	14	11-2155	
34	FLAT WASHER, 5/16" SS	26	11-0122	
35	SEAL STRIP, RUBBER	2	49-5183	
	SEAL STRIP, SILICONE	2	49-5183-1	
	SEAL STRIP, EPDM	2	49-5183-2	
	SEAL STRIP, VITON	2	49-5183-V	
36	HX HD CAP SCREW, SS 5/16-18 X 3/4"	6	11-0315	
37	5/16-18 HEX NUT NYLOC	6	11-0570	
38	3/4" SHAFT TENSION COLLAR	2	49-5163	SS
39	SHAFT SPROCKET, STEEL	1	49-3026-A	
40	1/4" X 1/4" X 2" LNG STEEL KEY	2	49-5177-2	
41	PAPER GUIDE SS	2	49-5164	
42	STRIP, RESERVOIR TANK, POLYETHYLENE	2	49-5178-1	
43	SUPPORT RIB WEAR STRIP NYLON	2	49-5166-1	
44	2IN SOLID PLUG	1	33-0470	SS
45	MEDIA TENSION ROD, SS	1	49-5000	
46	8-32 X 3/8 ALLEN HD, SS	9	11-0855	
47	8-32 X 1/2 ALLEN HD, SS	6	11-0856	
48	#10 X 11/16 FENDER WASHER SS	6	11-2123	
49	10-32 X 1/2 ALLEN HD, SS	4	11-0857	
50	1/2" 90 DEG ELBOW CONNECTOR, PVC	4	66-0975	
51	1/2 IN STRAIGHT CONNECTOR, NYLON	1	66-1203	
52	PAN HEAD SLOTTED SCREW, SS 10-24 x 3/8"	4	11-0491	
53	KEY, ZINC PLATED, 1/4X1/4X1"	1	49-5177-1	
54	1/2 " SPIRADUCT, PVC	2	66-0972	

