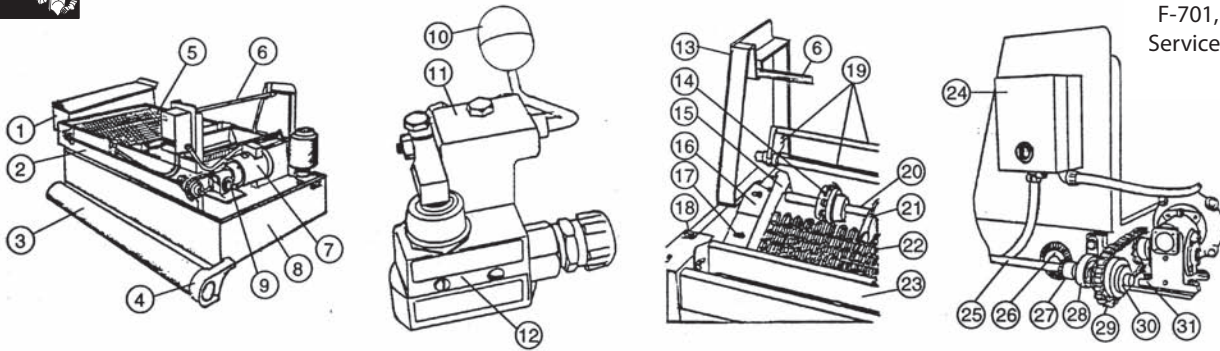




AUTOMATIC GRAVITY FILTRATION SYSTEMS SERIES 'S'

PARTS LIST
P-7905
FEB. 2007

Refers to Bulletin
F-701, Operation and
Service Guide O-0280.



ITEM	DESCRIPTION	MODELS	DF-19	DF-24	DF-27	DF-29	DF-40	DF-57	PART NUMBERS										
1	Sludge box - carbon steel - w/epoxy coating (optional)		49-0237 49-0237 A	49-0237 49-0237 A	49-0238 49-0238 A	49-0238 49-0238 A	49-0238 49-0238 A	49-0238 49-0238 A	49-0238 49-0238 A	49-0238 49-0238 A	49-0238 49-0238 A	49-0238 49-0238 A	49-0238 49-0238 A	49-0238 49-0238 A	49-0238 49-0238 A	49-0238 49-0238 A	49-0238 49-0238 A	49-0238 49-0238 A	
2	Frame - carbon steel - w/epoxy coating (optional)		49-0616 49-0616 A	49-0617 49-0617 A	49-0618 49-0618 A	49-0619 49-0619 A	49-0620 49-0620 A	49-0621 49-0621 A	49-0622 49-0622 A	49-0623 49-0623 A	49-0624 49-0624 A	49-0625 49-0625 A	49-0626 49-0626 A	49-0627 49-0627 A	49-0628 49-0628 A	49-0629 49-0629 A	49-0630 49-0630 A	49-0631 49-0631 A	
3	Drive shaft guard - carbon steel		49-0558	49-0559	49-0560	49-0561	49-0562	49-0563	49-0564	49-0565	49-0566	49-0567	49-0568	49-0569	49-0570	49-0571	49-0572	49-0573	
4	Chain guard - carbon steel		49-0624	49-0624	49-0625	49-0625	49-0625	49-0625	49-0625	49-0625	49-0625	49-0625	49-0625	49-0625	49-0625	49-0625	49-0625	49-0625	
5	Conveyor belt - galvanized - 304 stn. steel (optional)		49-0631 49-0016	49-0632 49-0109	49-0633 49-0022	49-0634 49-0025	49-0635 49-0028	49-0636 49-0031	49-0637 49-0034	49-0638 49-0037	49-0639 49-0040	49-0640 49-0043	49-0641 49-0046	49-0642 49-0049	49-0643 49-0052	49-0644 49-0055	49-0645 49-0058	49-0646 49-0061	49-0647 49-0064
6	Fabric tube holder - carbon steel		49-0527	49-0527	49-0528	49-0528	49-0528	49-0528	49-0528	49-0528	49-0528	49-0528	49-0528	49-0528	49-0528	49-0528	49-0528	49-0528	
7	Motor - 1/3 HP - 115/1/60 - 1/2 HP - 115/1/60 - 3/4 HP - 115/1/60		49-0529 - -	49-0529 - -	49-0529 - -	49-0529 - 49-0530	49-0529 - 49-0530	49-0529 - -	49-0529 - -	49-0529 - -	49-0529 - -	49-0529 - -	49-0529 - -	49-0529 - -	49-0529 - -	49-0529 - -	49-0529 - -	49-0529 - 49-0531	
8	Filter tank - carbon steel - w/epoxy coating (optional)		49-0642 49-0642 A	49-0643 49-0643 A	49-0644 49-0644 A	49-0645 49-0645 A	49-0646 49-0646 A	49-0647 49-0647 A	49-0648 49-0648 A	49-0649 49-0649 A	49-0650 49-0650 A	49-0651 49-0651 A	49-0652 49-0652 A	49-0653 49-0653 A	49-0654 49-0654 A	49-0655 49-0655 A	49-0656 49-0656 A	49-0657 49-0657 A	
9	Speed reducer - carbon steel		49-0649	49-0649	49-0650	49-0650	49-0650	49-0650	49-0650	49-0650	49-0650	49-0650	49-0650	49-0650	49-0650	49-0650	49-0650	49-0650	
10	Float - polypropylene		49-0505	49-0505	49-0505	49-0505	49-0505	49-0505	49-0505	49-0505	49-0505	49-0505	49-0505	49-0505	49-0505	49-0505	49-0505	49-0505	
11	Float rod assembly		49-0506	49-0506	49-0506	49-0506	49-0506	49-0506	49-0506	49-0506	49-0506	49-0506	49-0506	49-0506	49-0506	49-0506	49-0506	49-0506	
12	Micro switch		49-0504	49-0504	49-0504	49-0504	49-0504	49-0504	49-0504	49-0504	49-0504	49-0504	49-0504	49-0504	49-0504	49-0504	49-0504	49-0504	
13	Fabric roll bracket - carbon steel		49-0598	49-0598	49-0598	49-0598	49-0598	49-0598	49-0598	49-0598	49-0598	49-0598	49-0598	49-0598	49-0598	49-0598	49-0598	49-0598	
14	Conveyor sprocket - carbon steel 4" - carbon steel 6"		49-0520 -	49-0520 -	49-0520 49-0599	49-0520 49-0599	49-0520 49-0599	49-0520 49-0599	49-0520 49-0599	49-0520 49-0599	49-0520 49-0599	49-0520 49-0599	49-0520 49-0599	49-0520 49-0599	49-0520 49-0599	49-0520 49-0599	49-0520 49-0599	49-0520 49-0599	
15	Seal strips - PVC		49-0654	49-0655	49-0656	49-0657	49-0658	49-0659	49-0660	49-0661	49-0662	49-0663	49-0664	49-0665	49-0666	49-0667	49-0668	49-0669	
16	Seal hold-down plate		49-0513	49-0513	49-0513	49-0513	49-0513	49-0513	49-0513	49-0513	49-0513	49-0513	49-0513	49-0513	49-0513	49-0513	49-0513	49-0513	
17	Hex head bolt, 5/16"-18 x 3/4" - stainless steel Flat washer, 5/16" size - stainless steel		11-0315 11-0122	11-0315 11-0122	11-0315 11-0122	11-0315 11-0122	11-0315 11-0122	11-0315 11-0122	11-0315 11-0122	11-0315 11-0122	11-0315 11-0122	11-0315 11-0122	11-0315 11-0122	11-0315 11-0122	11-0315 11-0122	11-0315 11-0122	11-0315 11-0122	11-0315 11-0122	
18	Wing nut, 5/16"-18 - stainless steel		49-0514	11-0514	11-0514	11-0514	11-0514	11-0514	11-0514	11-0514	11-0514	11-0514	11-0514	11-0514	11-0514	11-0514	11-0514	11-0514	
19	Fabric hold-down bar assembly		49-0533	49-0533	49-0534	49-0534	49-0534	49-0534	49-0534	49-0534	49-0534	49-0534	49-0534	49-0534	49-0534	49-0534	49-0534	49-0534	
20	Conveyor shaft		49-0661	49-0661	49-0662	49-0662	49-0662	49-0662	49-0662	49-0662	49-0662	49-0662	49-0662	49-0662	49-0662	49-0662	49-0662	49-0662	
21	Nylon wear strip		49-0592	49-0593	49-0594	49-0595	49-0596	49-0597	49-0598	49-0599	49-0600	49-0601	49-0602	49-0603	49-0604	49-0605	49-0606	49-0607	
22	Conveyor support ribs - carbon steel - w/epoxy coating (opt.)		49-0665 49-0665 A	49-0665 49-0665 A	49-0666 49-0666 A	49-0666 49-0666 A	49-0666 49-0666 A	49-0666 49-0666 A	49-0666 49-0666 A	49-0666 49-0666 A	49-0666 49-0666 A	49-0666 49-0666 A	49-0666 49-0666 A	49-0666 49-0666 A	49-0666 49-0666 A	49-0666 49-0666 A	49-0666 49-0666 A	49-0666 49-0666 A	
23	Diffuser tray - carbon steel - w/epoxy coating (optional)		49-0541 49-0541A	49-0541 49-0541 A	49-0542 49-0542 A	49-0542 49-0542 A	49-0542 49-0542 A	49-0542 49-0542 A	49-0542 49-0542 A	49-0542 49-0542 A	49-0542 49-0542 A	49-0542 49-0542 A	49-0542 49-0542 A	49-0542 49-0542 A	49-0542 49-0542 A	49-0542 49-0542 A	49-0542 49-0542 A	49-0542 49-0542 A	
24	Motor starter - magnetic NEMA 1		49-0667	49-0667	49-0667	49-0667	49-0667	49-0667	49-0667	49-0667	49-0667	49-0667	49-0667	49-0667	49-0667	49-0667	49-0667	49-0667	
25	Drive shaft - carbon steel		49-0672	49-0673	49-0674	49-0675	49-0676	49-0677	49-0678	49-0679	49-0680	49-0681	49-0682	49-0683	49-0684	49-0685	49-0686	49-0687	
26	Conveyor shaft bevel gear		49-0512	49-0512	-	-	-	-	-	-	-	-	-	-	-	-	-	-	
27	Line shaft bevel pinion		49-0510	49-0510	-	-	-	-	-	-	-	-	-	-	-	-	-	-	
28	Pillow block bearing		49-0679	49-0679	49-0680	49-0680	49-0680	49-0680	49-0680	49-0680	49-0680	49-0680	49-0680	49-0680	49-0680	49-0680	49-0680	49-0680	
29	Chain		49-0683	49-0683	49-0683	49-0683	49-0683	49-0683	49-0683	49-0683	49-0683	49-0683	49-0683	49-0683	49-0683	49-0683	49-0683	49-0683	
30	Torque limiter		49-0685	49-0685	49-0686	49-0686	49-0686	49-0686	49-0686	49-0686	49-0686	49-0686	49-0686	49-0686	49-0686	49-0686	49-0686	49-0686	
31	Reducer sprocket - carbon steel		49-0689	49-0689	49-0690	49-0690	49-0690	49-0690	49-0690	49-0690	49-0690	49-0690	49-0690	49-0690	49-0690	49-0690	49-0690	49-0690	
32	Micro switch cover (not shown)		49-0517	49-0517	49-0517	49-0517	49-0517	49-0517	49-0517	49-0517	49-0517	49-0517	49-0517	49-0517	49-0517	49-0517	49-0517	49-0517	
33	Conveyor shaft bearing - carbon stl. (not shown)		49-0691	49-0691	49-0691	49-0691	49-0691	49-0691	49-0691	49-0691	49-0691	49-0691	49-0691	49-0691	49-0691	49-0691	49-0691	49-0691	
34	Conveyor pulley 4" (2 req'd) (not shown) 6" (5 req'd) (not shown)		- -	- -	- 49-0693	- 49-0693	- 49-0693	- 49-0693	- 49-0693	- 49-0693	- 49-0693	- 49-0693	- 49-0693	- 49-0693	- 49-0693	- 49-0693	- 49-0693	- 49-0693	
35	Disposa-Fabric - see operating instructions O-280 for fabric selection																		

F.O.B. Northbrook, Illinois

Terms: Net 30 Days

Minimum order \$50.00



SERFILCO®

2900 MacArthur Blvd.
Northbrook, IL 60062-2005 U.S.A.
e-mail: sales@serfilco.com

847-509-2900
800-323-5431
FAX: 847-559-1995

www.serfilco.com