

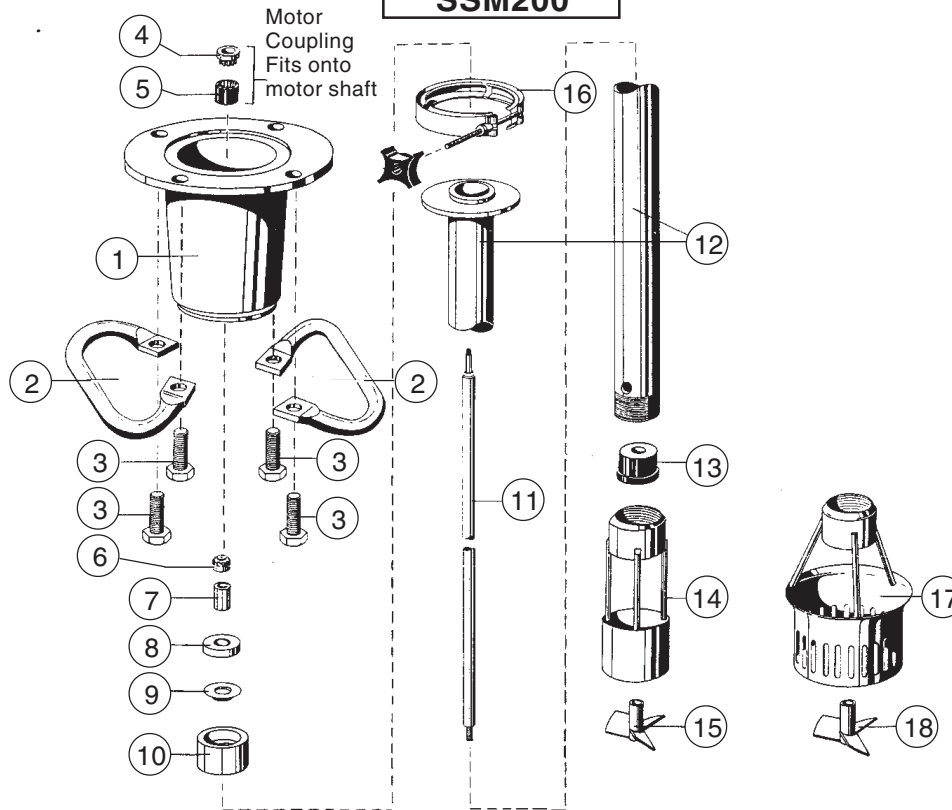


MIXERS

MODELS

SSML55
SSM200

Refer to Bulletin A-403 and
Master Price List F-800.



ITEM	DESCRIPTION	PART NOS.	
		SSML55	SSM200
1	Adapter	50-0010	
2	Handles (2 to a unit)	50-0011	
3	Bolts (4 to a unit)	50-0012	
4	Upper motor coupling	50-0100A	
5	Lower motor coupling	50-0100B	
6	Upper shaft coupling	50-0100C	
7	Lower shaft coupling	50-0100D	
8 ¹	Bearing	50-0202	
9 ¹	Lip seal	50-0205	
10	Bearing housing	50-0206	
11	Drive shaft	50-0301	
12	Outer tube assembly	50-0302	
13 ¹	Carbon bearing	50-0303	
14	SSML55 Shroud	50-0401	—
15	SSML55 Impeller	50-0402	—
16	Clamp w/knob	50-0500	
17	SSM200 Shroud	—	50-0501
18	SSM200 Impeller	—	50-0502

¹ Recommended spare parts.