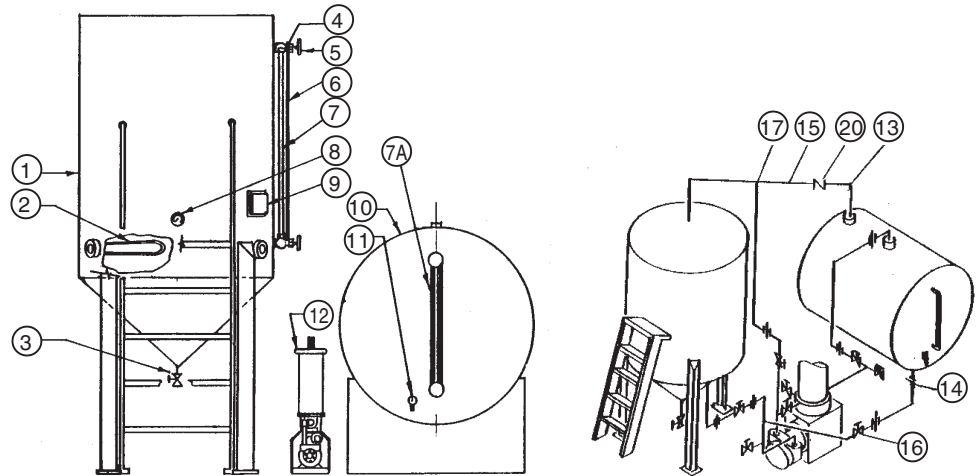




# OIL RECONDITIONING STATION

MODELS	PRICE CODE NUMBERS
50RS3-6-S1	1216
250RS6-12-S1	1217
500RS6-12-S1	1218
1000RS9-18-S1	1219
1000x2RS9-18-S1	1220



ITEM	DESCRIPTION	MODEL			
		50 RS	250 RS	500 RS	1000RS
		PART NUMBER			
1	Cone bottom settling tank	77-0280	77-0288	77-0297	77-0396
2	Non-regulating heater 230 volts 460 volts	-	66-0734	66-0857	-
		-	66-0289	66-0715	66-0715
2A	Regulated heater 115 volts 230 volts	66-0296	-	-	-
		66-0296	66-0733	66-0729	-
	Temperature switch (not shown) 460 volt operation only, 115 volt control circuit	-	66-0874	66-0874	66-0874
3	Dump ball valve, 2" NPT	33-1418	33-1418	33-1418	33-1418
4	Gauge glass washer (4 req'd)	33-0608	33-0608	33-0608	33-0608
5	Gauge fittings (4 req'd)	33-0486	33-0486	33-0486	33-0486
6	Gauge guard rod (4 req'd)	33-0488	33-0487	33-0487	33-0487
7	Pyrex tube gauge glass	99-0752	99-0750	99-0751	99-0751
7A		99-0752	99-0750	99-0750	99-0753
8	Dial thermometer 0° - 250° F	33-0484	33-0484	33-0484	33-0484
9	Magnetic contactor 230 volts operation 460 volts operation	-	66-0828	66-0828	-
		-	66-0297	66-0297	66-0297
10	Clean oil tank	77-0276	77-0289	77-0296	77-0397
11	Drum faucet, 3/4" NPT	33-0485	33-0485	33-0485	33-0485
12	Filter chamber w/pump & motor See parts list P-710	S60(2)1/2S-TS3	S120(2)1/2S-TS6	S180(3)1S-TS9	
13	Steel elbows, 1/2" (10 req'd) 1" (10 req'd)	33-0307	33-0307	33-0307	-
		-	-	-	33-0343
14	Steel unions, 1/2" (8 req'd) 1" (8 req'd)	33-0370	33-0370	33-0370	-
		-	-	-	33-0341
15	Steel pipe, 1/2" 1"	33-1616	33-1616	33-1616	-
		-	-	-	33-1617
16	Lever handle brass valves, 1/2" (10 req'd) 1" (10 req'd)	33-0701	33-0701	33-0701	-
		-	-	-	33-0707
17	Steel tees, 1/2" (4 req'd) 1" (4 req'd)	33-0311	33-0311	33-0311	-
		-	-	-	33-0312
18	Steel base, 4' x 3' (not shown)	77-0178	-	-	-
19	Push button starter (not shown)	-	66-0201	66-0201	66-0201
20	Check valve	33-1637	33-1637	33-1637	33-1637

1000 X 2 system available - Same as 1000 gal. w/2 settling tanks & additional piping as required.