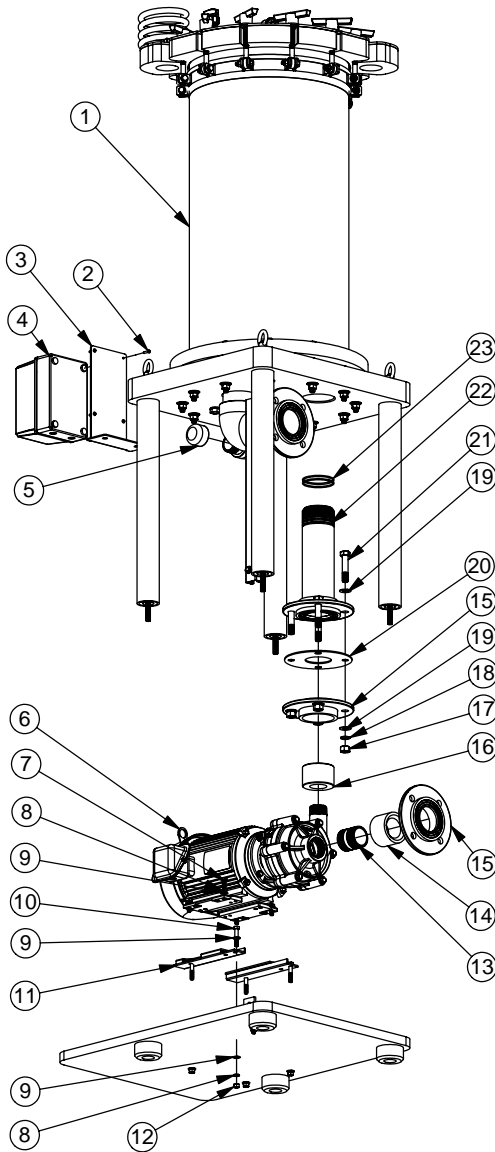




# SYSTEM MEGA-FLO FILTRATION PP EURO

PARTS LIST  
P-7780  
9/19/06  
(1 OF 2)

SYSTEMS	30" LNG.	40" LNG.	50" LNG.
<b>HE PUMP 5.0 HP</b>	PPJ66HE450	PPJ88HE450	PPJ110HE450
<b>F PUMP 5.0 HP</b>	PPJ66F2750	PPJ88F2750	PPJ110F2750
<b>HA PUMP 5.0 HP</b>	PPJ66H3250	PPJ88H3250	PPJ110H3250
<b>HA PUMP 7.5 HP</b>	PPJ66H4375	PPJ88H4375	PPJ110H4375
<b>HA PUMP 10.0 HP</b>	PPJ66H4310	PPJ88H4310	PPJ110H4310

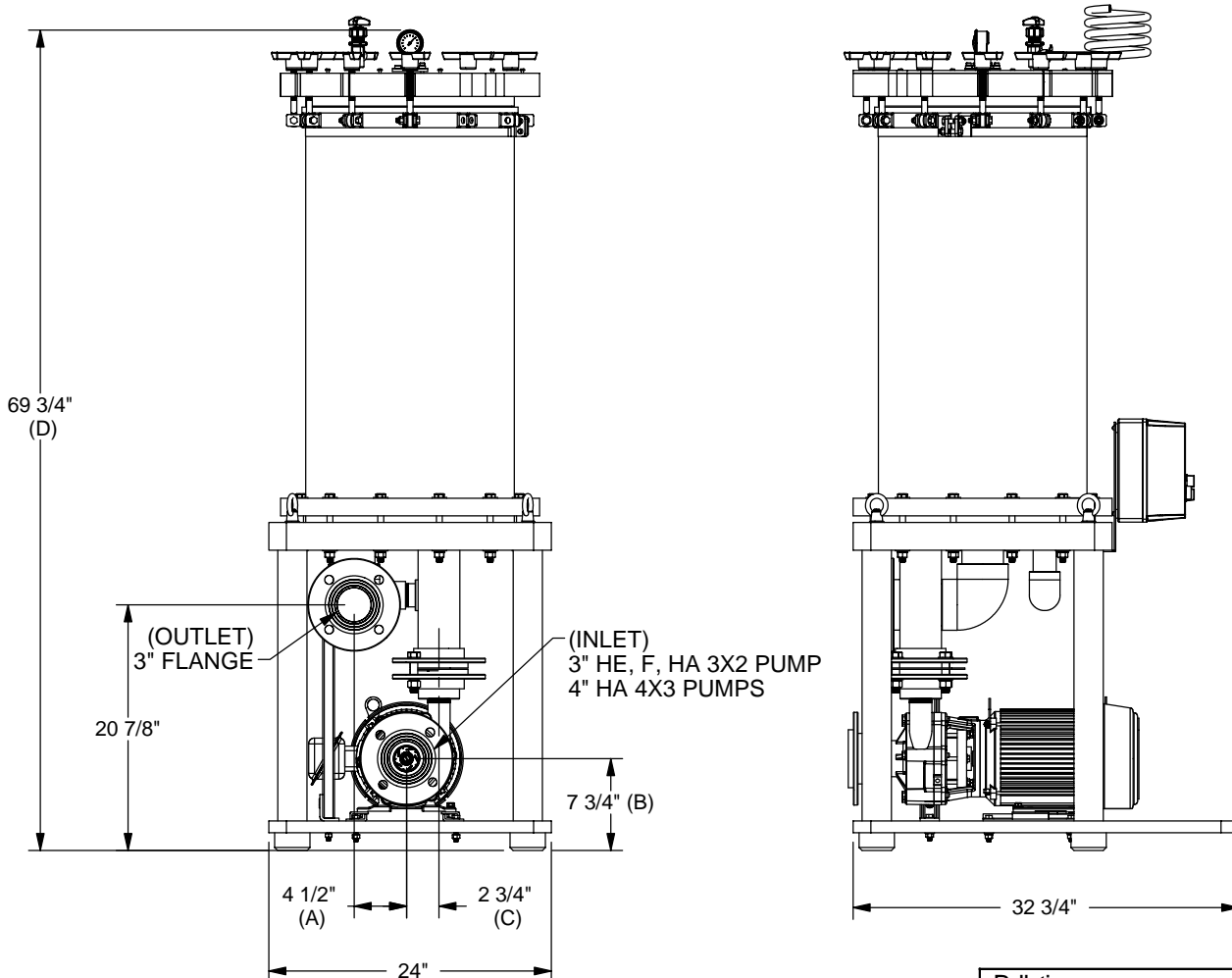


NO.	TITLE	TITLE , DESCRIPTION	QTY	PART NO.	
1	CHAMBER	MEGA-FLO CARTRIDGE,30" LNG.,PP EURO.	1	78-1743-PP	
		MEGA-FLO 18" DIA. 40" LNG. PP EURO		78-1744-PP	
		MEGA-FLO 18" DIA. 50" LNG. PP EURO		78-1745-PP	
2	SCREW	10-24 X .75" LNG.,,SS	4	11-0623	
3	BRACKET	CONTROL BOX,,S.S.	1	66-7036	
4	STARTER	MOTOR BOX,,NA	1	BUL. A-103	
5	CAP	PIPE,1-1/2" NPT,PP	1	33-0877-PP	
6	PUMP	HE (2 X 1 1/2"),,PP	1	P-201	
		F (2 X 2) , PP		P-621	
		HA (3 X 2); CPVC		P-207	
		HA (4 X 3); CPVC			
7	BOLT	HEX HD,3/8-16 X 1" ,SS (HE & F PUMPS)	4	11-0375	
		(HA PUMPS)	8		
8	WASHER	LOCK,3/8",SS (HE & F PUMPS)	8	11-0140	
		LOCK,3/8",SS (HA PUMPS)	12		
9	WASHER	FLAT,3/8", SS (HE & F PUMPS)	12	11-0126	
		FLAT,3/8",SS (HA PUMPS)	16		
10	BOLT	HEX HD,3/8-16 X 2,S.S. (HE & F PUMPS)	4	11-0379	
		HEX HD,3/8-16 X 2,S.S. (HA PUMPS)	-	N/A	
11	BRACKET	MOTOR MOUNTING ,, (HE & F PUMPS)	1	66-0600-1	
11	FOOT	MOTOR, SS (HA 3 X 2 PUMPS)	4	66-1421	
		MOTOR, SS (HA 4 X 3 PUMPS)		66-1421-2	
12	NUT	HEAVY HEX HD,3/8-16,SS (HE & F PUMPS)	4	11-0105	
		(HA PUMP)	-	N/A	
13	NIPPLE	INLET,,PP-EURO (HE & F PUMPS)	1	33-3055-PP	
		INLET,,PP-EURO (HA PUMPS)	-	N/A	
14	BUSHING	INLET-REDUCING 2" X 3",,PP-EURO. (HE & F PUMPS)	1	33-3053-PP	
		INLET-REDUCING, PP-EURO. (HA PUMPS)	-	N/A	
15	FLANGE	ADAPTER AND RING,,PP (HE PUMP)	2	33-3047-PP	
		ADAPTER AND RING,,PP (F PUMPS)		-	N/A
		ADAPTER AND RING,,PP (HA PUMPS)			
16	BUSHING	OUTLET-ADAPTER (3" SOC X 1-1/2" FNPT),,PP-EURO. (HE PUMP)	1	33-3054-PP	
		OUTLET-ADAPTER (3" SOC X 2 FNPT),, PP-EURO (F PUMPS)		33-3053-PP	
		ADAPTER OUTLET, (HA PUMPS)		-	N/A
17	NUT	5/8-11 HEX HD.,5/8-11,SS	4	11-0339	
18	WASHER	LOCK,3/8",SS	4	11-0381	
19	WASHER	FLAT, ,18-8 SS	8	11-0132	
20	GASKET	3" FLANGE FULL FACE,,EPDM	1	22-0243	
		2" FLANGE, FULL FACE, EPDM		22-0239	
21	BOLT	5/8-11x3" ,SS 304 (HE, F & HA 3X2 PUMPS)	4	11-0114	
		5/8-11 X 2 1/2", SS (HA 4X3 PUMPS)		11-3028	
22	ADAPTER	INLET,3" FLANGE,PP EURO (HE & F PUMP)	1	88-7636-PP	
		INLET, 2" FLANGE ASSY.(HA 3 X 2 PUMPS)		88-7634-PP	
		INLET, 3" FLANGE ASSY, (HA 4 X 3 PUMPS)		88-7635-PP	
23	O-RING	,,EPDM	2	22-0359	

# SYSTEM MEGA-FLO FILTRATION PP EURO

PARTS LIST  
P-7780  
9/19/06  
(2 OF 2)

SYSTEM	A	B	C	D		
				30" LNG. (78-1743-PP)	40" LNG. (78-1744-PP)	50" LNG. (78-1745-PP)
HE PUMP 5.0 HP	4 1/2"	7-3/4"	2-3/4"	69-3/4"	79-3/4"	89-3/4"
F PUMP 5.0 HP	1-7/8"	7-3/4"	2-9/16"	69-3/4"	79-3/4"	89-3/4"
HA PUMP 5.0 HP	7-1/4"	9-3/4"	0"	69-3/4"	79-3/4"	89-3/4"
HA PUMP 7.5 HP	7-1/4"	9-3/4"	0"	69-3/4"	79-3/4"	89-3/4"
HA PUMP 10.0 HP	7-1/4"	9-3/4"	0"	69-3/4"	79-3/4"	89-3/4"

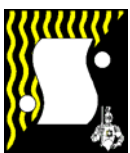


Bulletin	F-304
Operation & Service Guide	O-585

F.O.B Northbrook, Illinois

Terms: Net 30 Days

Minimum order \$50.00



## SERFILCO, LTD.

2900 MacArthur Blvd.  
Northbrook, IL 60062 U.S.A.  
Email: Sales@SERFILCO.com  
Web: WWW.SERFILCO.COM

(800) 323-5431  
(847) 509-2900  
Fax: (847) 559-1995