

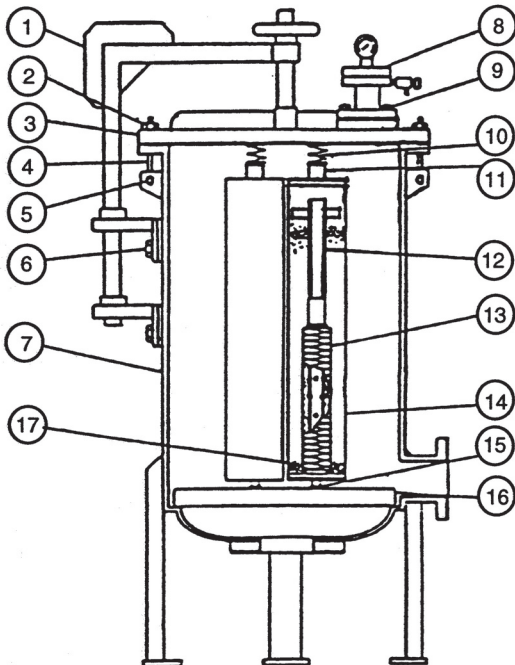


CARBON PURIFICATION CHAMBERS W/CANISTERS FOR CARBON

PARTS LIST
P-7750C
FEB. 2008

MODEL	PRICE CODE NUMBER
R5 (528P)CC 2F - G5	78-1430
R10 (528)CC 2F - G5	78-1431
H5 (528P)CC 2F - G5	78-1430A
H10 (528)CC 2F - G5	78-1431A

Refer to Bulletin R-102, Operation and Service Guide O-500 and Master Price Sheet F-800.



ITEM	DESCRIPTION	MODEL 5(528)CC	MODEL 10(528)CC
		PART NO.	PART NO.
1	Davit cover lift, optional	77-0619	77-0159
2	Hex nut, 1/2" - 13 - plated steel, Flat washer, 1/2" size - stainless steel	11-0254 11-0619	
3	Carbon chamber cover - rubber lined steel Carbon chamber cover - Hypalon lined steel	77-1076 77-1110	77-1077 77-1111
4	Swing bolt, 1/2" - 13 x 5 3/4" - stainless steel	11-0474	
5	Clevis Pin - stainless steel Retaining ring - steel	11-0559-1 11-0519	
6	Hex bolt, 1/2" - 13 x 7/8" long - stainless steel Flat Washer, 1/2" size - stainless steel	11-0352 11-0124	
7	Carbon chamber rubber lined steel Carbon chamber Hypalon lined steel	77-1080-1 77-1087-1	77-1081-1 77-1088-1
8	Gauge guard-G5 Refer to Parts List P-2300 (Included CPVC vent valve) Vent valve only	99-0734 33-0051	
9	Hex bolt, 1/2" - 13 x 1" long - stainless steel	11-0350	
10*	Spring - vinyl coated steel	11-0301-1	
11	Canister cap & cover ass'y. w/ saran screen - PVC & CPVC	88-2781	
12	Standpipe assembly - CPVC	88-1440	
13	Filter cartridge, polypropylene	03U10U	
14	Canister shell & base ass'y. w/ tube guide - PVC	88-2777	
14A	Canister ass'y. (includes items 11 thru 14) - PVC	88-2779	
15*	Canister guide assembly - CPVC - Viton "O" ring only (2 req'd) - EP "O"-ring only (2 req'd)	88-1139 22-0563 22-0570	
16	Canister mounting plate - PVC (standard)	88-1477	88-1478
17	Carbon, see chart		

* Replacement Spare Parts.

GRANULAR, ACTIVATED CARBON		
10 lb. bags or 50 lb. drums only		
12 x 30 Mesh	LBS.	P/C NO.
Standard	10	99-0994
	50	99-0997
12 x 30 Mesh	10	99-0993
99.5% Sulfur Free	50	99-0996

F.O.B. Northbrook, Illinois

Terms: Net 30 Days

Minimum order \$50.00



SERFILCO®

2900 MacArthur Blvd. 847-509-2900
Northbrook, IL 60062-2005 U.S.A. 800-323-5431
e-mail: sales@serfilco.com FAX: 847-559-1141
www.serfilco.com