

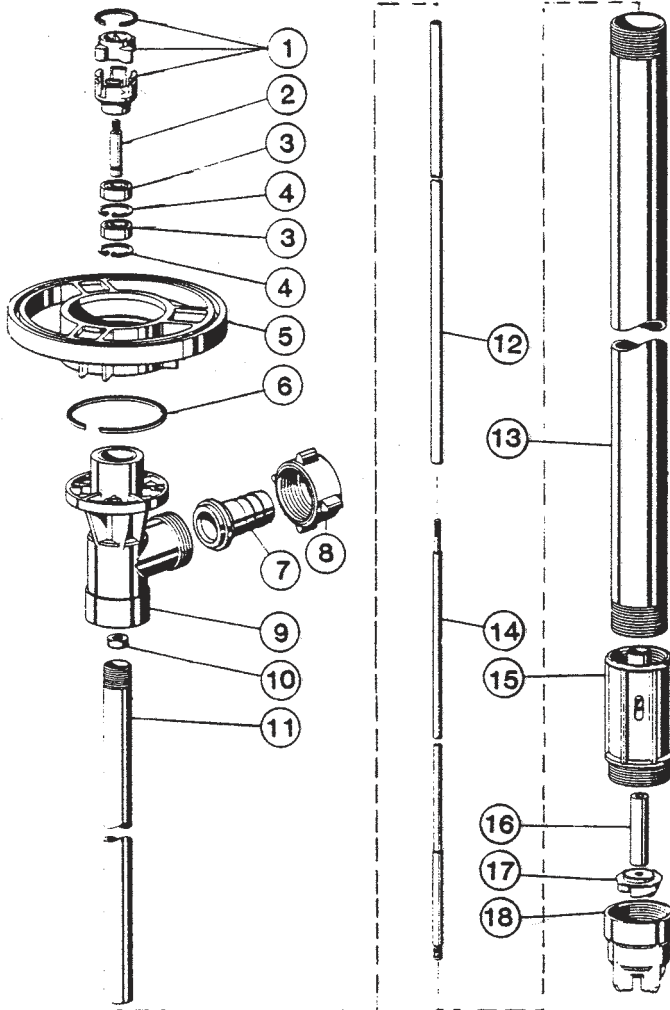
# SERIES 'DP' DRUM PUMP PVDF, SEAL-LESS

PARTS LIST  
P-7600D  
MAY 1993

MODELS	PRICE CODE NOS.	LENGTH
KY8300B-1	55-1033	34" (red)
KY8300D-1	55-1033-1	39" (natural)
KY8300C-1	55-1034	47"

**WARNING:**  
Do not use to pump flammables.

Refer to Operation and Service Guide O-170  
and Master Price List F-800



ITEM	DESCRIPTION	MODEL	PART NO.
1 <sup>1</sup>	Coupling kit	ALL	55-2035
2	Connector shaft - SS	"	55-6168
3	Ball bearing (2 req'd)	"	55-1058
4	Snap ring, steel (2 req'd)	"	55-1059
5	Hand wheel - ABS	"	55-1842
6	Snap ring -steel	"	55-1508
7	Hose connection - TFE		
	1" (standard)	"	55-1890
	¾"	"	55-1891
	1¼"	"	55-1892
8 <sup>2</sup>	Wing nut -PVDF	"	55-0587
9 <sup>2</sup>	Outrun piece ass'y. - PVDF	"	55-0534
10 <sup>1</sup>	Oil seal, Viton®	"	55-6015
11	Inner tube - PVDF		
	34" (red)	B	55-0571
	39" <sup>2</sup>	D	55-0589
	47"	C	55-0572
12	Guide bushing - ETFE		
	34"	B	55-1517
	39" <sup>2</sup>	D	55-7053
	47"	C	55-1518
13	Outer tube, PVDF		
	34" (red)	B	55-0578
	39" <sup>2</sup>	D	55-0588
	47"	C	55-0579
14	Drive shaft - Hastelloy C®		
	34"	B	55-1544
	39"	D	55-0594
	47"	C	55-1545
15 <sup>2</sup>	Pump housing - PVDF	ALL	55-0537
16 <sup>1</sup>	Bearing - carbon	"	55-1541
17 <sup>1</sup>	Impeller -ETFE	"	55-1500
18 <sup>2</sup>	Pump foot - PVDF	"	55-0580

<sup>1</sup> Recommended spare parts.

<sup>2</sup> Supplied in natural color PVDF after 10/92.  
Parts which are now natural in color replace same that were red.

Registered Trademarks: Viton - DuPont,  
Hastelloy C - Haynes International

F.O.B. Northbrook, Illinois

Terms: Net 30 Days

Minimum order \$50.00



**SERFILCO®**

2900 MacArthur Blvd. 847-509-2900  
Northbrook, IL 60062-2005 U.S.A. 800-323-5431  
e-mail: sales@serfilco.com FAX: 847-559-1995  
www.serfilco.com