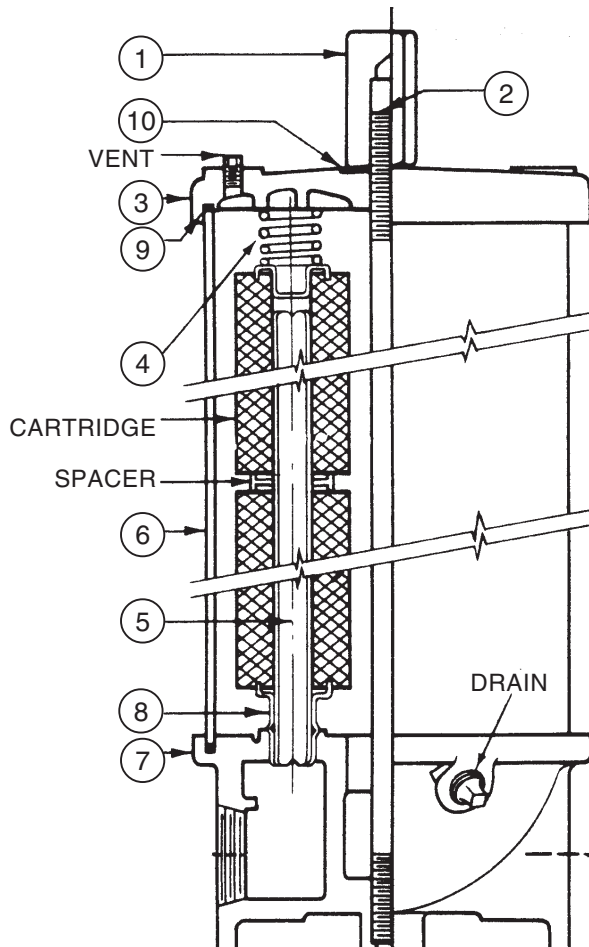




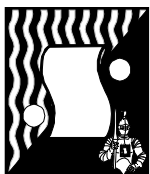
METAL FILTER CHAMBERS

MODELS	PRICE CODE NOS.
S30 1-1/2	78-0895
S60 1-1/2	78-0896
S90 1-1/2	78-0897
S120 2	78-0898
S180 2	78-0899

Refer to Bulletin C-201, Operation and Service Guide
O-1615 and Master Price List F-800.



ITEM	DESCRIPTION	PART NUMBER
1	Cover, nut	77-0488
2	Center bolt 10" high S30(1) 20" high S60(2) 30" high S90(3) 20" high S120(2) 30" high S180(3)	77-0343 77-0344 77-0345 77-0346 77-0347
3	Filter tank cover S30, 60, 90 S120, 180	77-0186 77-0187
4	Top seat plate & spring assembly	77-0251
5	V-post -plain steel 10" high S30 20" high S60, 120 30" high S90, 180	77-0221 77-0222 77-0223
6	Filter shell 10" high S30(1) 20" high S60(2) 30" high S90(3) 20" high S120(2) 30" high S180(3)	77-0317 77-0318 77-0319 77-0320 77-0321
7	Filter tank base S30, 60, 90 S120, 180	77-0185 77-0259
8	Bottom seat plate	77-0707
9	Cover & base gasket for S30, 60, 90 (2 req'd) - EPT (std) Plant fiber Neoprene White asbestos Teflon	22-0108 22-0133 22-0135 22-0136 22-0137
	Cover & base gasket for S120, 180 (2 req'd) - EPT (std) Plant fiber Neoprene White asbestos Teflon (other materials available on request)	22-0161 22-0173 22-0174 22-0175 22-0176
10	Cover nut gasket	22-0121



SERFILCO[®], LTD.

2900 MacArthur Blvd. 847-509-2900
Northbrook, IL 60062-2005 U.S.A. 800-323-5431
e-mail: sales@serfilco.com FAX: 847-559-1995
www.serfilco.com

WESTERN

13721 Alma Avenue 310-532-0801
Gardena, CA 90249-2513 FAX: 310-532-0866