



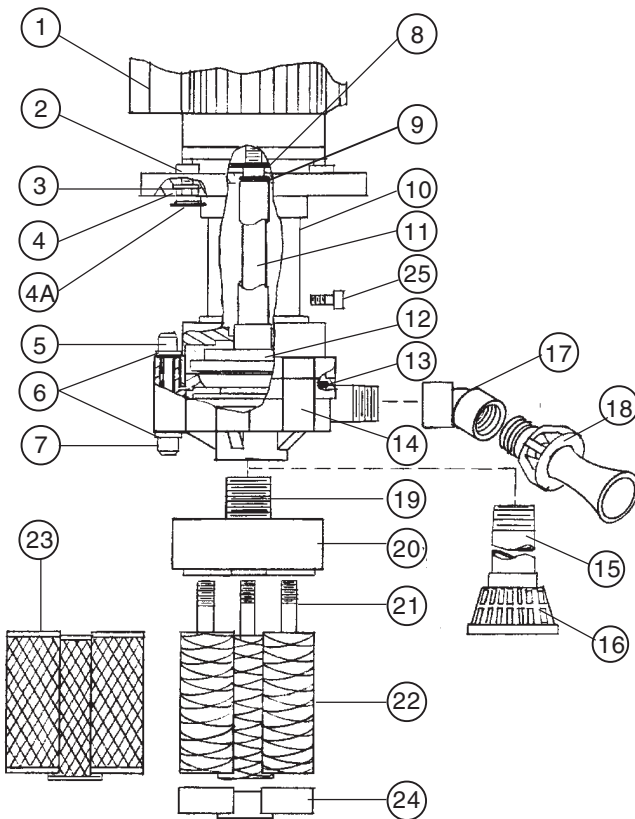
SERIES 'EHS' SUB-ADMIRAL

PARTS LIST
P-7330A
MARCH 1998

MATERIAL	PRICE CODE NUMBERS		
	10" CARTS	20" CARTS	30" CARTS
CPVC & EPDM	C31EH115	C32EH115	C33EH115
	C31EH330	C32EH330	C33EH330
	C31EH450	C32EH450	C33EH450
PP & EPDM	PP31EH115	PP32EH115	PP33EH115
	PP31EH330	PP32EH330	PP33EH330
	PP31EH450	PP32EH450	PP33EH450

For Items 1 - 9 & 11 - 16 refer to
Parts List P-8801.

Refer to Bulletin F-506 and
Master Price List F-800.



ITEM	DESCRIPTION	PART NO.	
		EHS1½C-	EHS1½PP-
10	Support casing, column & mounting plate ass'y - CPVC & PVC - polypropylene	44-3182 6 -	- 44-7427 1
17	45° elbow, 1½" NPT - CPVC - polypropylene	33-0979 -	- 33-0179
18	Eductor, 1½" - polypropylene	33-1734	
19	Close nipple, 2" NPT - CPVC - polypropylene	33-1029 -	- 33-0265
20	Triple suction adapter - CPVC - polypropylene	44-6121 3 -	- 44-6121 4
21	Rod 10" model 13½" long (3 req'd) - CPVC - polypropylene 20" model 23½" long (3 req'd) - CPVC - polypropylene 30" model 33½" long (3 req'd) - CPVC - polypropylene	44-7357 - 44-7359 - 44-7384 -	- 44-7357 1 - 44-7359 1 - 44-7384 1
22*	Filter cartridge (3 req'd)	See Bulletin M-109	
23*	Carbon cartridge (3 req'd)	See Bulletin M-305	
24	End cap - CPVC - polypropylene	44-7358 -	- 44-7358 1
25	Plug, ½ NPT - CPVC - polypropylene	33-0866 33-0164	

* Not included with system.

F.O.B. Northbrook, Illinois

Terms: Net 30 Days

Minimum order \$25.00



SERFILCO[®], LTD.

2900 MacArthur Blvd. 847-509-2900
Northbrook, IL 60062-2005 U.S.A. 800-323-5431
e-mail: sales@serfilco.com FAX: 847-559-1995
www.serfilco.com

WESTERN

13721 Alma Avenue 310-532-0801
Gardena, CA 90249-2513 FAX: 310-532-0866