



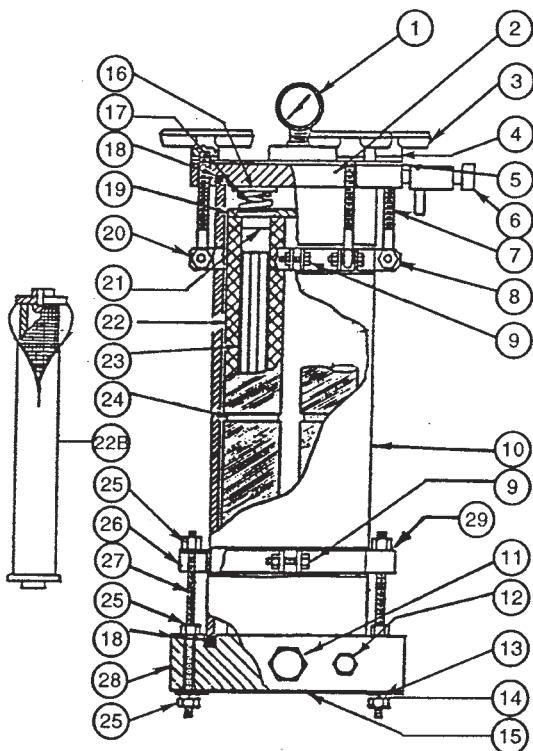
# FILTER CHAMBER MOLDED BASE AND COVER

## TI-CAD /NEOPRENE

Refer to Bulletin C-107, TF-109 and Master Price List.

PARTS LIST  
P-7300C  
AUGUST 1995

MODELS:	PRICE CODE NOS.:
CNN120S-1½-G3A	78-0330
CNN240S-1½-G3A	78-0331
CNN360S-1½-G3A	78-0332
CNN480S-1½-G3A	78-0333
CNN600S-1½-G3A	78-0334



<sup>1</sup> Support plate is not used on Guardian filtration systems.

<sup>2</sup> Recommended spare parts.

ITEM	DESCRIPTION	MODEL	PART NO.
1	Type G3A Gauge guard ass'y (includes vent valve) Refer to Parts List P-2300	ALL MODELS	99-0732-N
2	Cover assembly, molded CPVC w/neoprene gasket	"	88-2743
3	Tee handle, ½-13 - polypropylene (6 req'd)	"	11-0266
4	Flat washer ½" size - stainless steel (6 req'd)	"	11-0619
5	Cover plate - fiberglass	"	99-0303
6	Vent valve, 3/8" NPT - CPVC stem "O"-ring - neoprene body "O"-ring - neoprene	"	33-0051-N 22-0659 22-0658
7	Swing bolt, ½-13x5¾ - 316 stn. steel (6 req'd)	"	11-0474-1
8	Swing bolt bracket - 316 stainless steel	"	77-0788
9	Hex head bolt, 3/8-16x1½ - stainless steel Flat washer, 3/8 size - stainless steel Lockwasher, 3/8 size - stainless steel Hex nut 3/8-16 - stainless steel	"	11-0444 11-0126 11-0140 11-0105
10	Shell PVC	CNN120 CNN240 CNN360 CNN480 CNN600	77-1155 77-1156 77-1157 77-1158 77-1159
11	Plug, 1½" NPT - CPVC (2 req'd) - neoprene "O"-ring	ALL MODELS	33-0868 22-0763
12	Plug, ¾" NPT - CPVC - neoprene 'O'-ring	"	33-0211 22-0764
13	Flat washer, ½ size - stainless steel (4 req'd)	"	11-0124
14	Lock washer, ½ size - stainless steel (4 req'd)	"	11-0343
15 <sup>1</sup>	Bottom support plate - fiberglass	"	77-0811
16	Spring guard - CPVC (12 req'd)	"	77-0911
17	Spring - titanium (12 req'd)	"	77-0309
18 <sup>2</sup>	Gasket for cover & base - neoprene	"	22-0762
19	Separator plate - CPVC	"	88-0988
20	Hex head bolt, 3/8-16x1-5/8 - stn. steel (6 req'd) Hex nut, self-locking, 3/8-1 - stn. steel (6 req'd) Flat washer, 3/8" size - stn. steel (12 req'd)	"	11-0444-1 11-0519 11-0126
21	Top seat plate - CPVC (12 req'd)	"	77-0701-A
22A <sup>2</sup>	Depth filter cartridge, refer to product catalog	"	-
22B <sup>2</sup>	Sleeve cartridge, refer to Parts List P-8600	"	-
23	Depth cartridge guide - CPVC Depth cross post - CPVC	CNN120 CNN240 CNN360 CNN480 CNN600	88-0412 88-0350-3 88-0351-3 88-0352-3 88-0853-3
24 <sup>2</sup>	Spacer - neoprene	ALL MODELS	22-0257
25	Hex nut, ½-13 - stainless steel	"	11-0106
26	Hold down bracket - 316 stainless steel	"	77-0795
27	Tie rod, ½-13x7½ - stainless steel (4 req'd)	"	77-0758
28	Base, 14" molded - CPVC (plug not included) w/1½ BSP ports (optional)	"	88-0974-1 88-1510
29	Flat washer, ½" size - stainless steel (4 req'd)	"	11-0711
30	Reducing bushing, 1½ x 1½ - CPVC not shown (2 req'd) "O"-ring - neoprene	chambers w/1¼ ports	33-1137-1 22-0763

F.O.B. Northbrook, Illinois

Terms: Net 30 Days

Minimum order \$50.00



# SERFILCO®

2900 MacArthur Blvd.  
Northbrook, IL 60062-2005 U.S.A.  
e-mail: sales@serfilco.com

847-509-2900  
800-323-5431  
FAX: 847-559-1995

www.serfilco.com