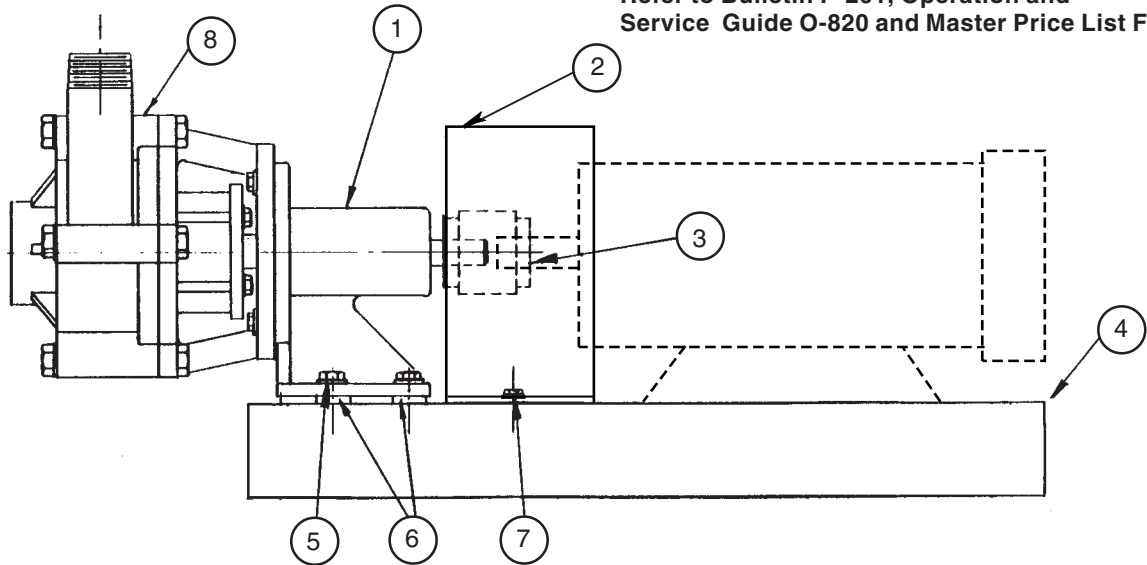




LONG-COUPLED 'HE' PUMP

w/cast iron bearing pedestal and 23½" x 10" x 2¾"
fiberglass reinforced channel base

Refer to Bulletin P-201, Operation and
Service Guide O-820 and Master Price List F-800.



ITEM	DESCRIPTION	PART NO.
1	Cast iron bearing pedestal assembly includes: Pedestal bearings (2 req'd) Lip seal Collar Thin washer Shaft - stainless steel Shaft adapter - carbon steel	44-6097 66-1156 22-0744 44-6104 44-6102 44-3936 44-3936 1
2	Coupling guard	77-0232F
3*	Flexible coupling assembly for 56 frame motor ** 143T, 145T, 182, or 184 frame motor 182T, 184T frame motor	99-0372 99-0373 99-0374
4	Mounting base - fiberglass reinforced polyester	77-0880
5	Hex head bolt, 3/8"-16 x 2" - stainless steel (4 req'd) Hex nut, 3/8"-16 - stainless steel (4 req'd) Washer, 3/8" size - stainless steel (4 req'd) Lockwasher, 3/8" size - stainless steel (4 req'd)	11-0379 11-0105 11-0126 11-0140
6*	Spacer - CPVC 56, 143T or 145T frame (4 req'd) for motor 182, 182T, 184 or 184T frame (4 req'd) for pedestal	44-3938 44-3937
7	Hex head bolt, ¼"-20 x 1" - stainless steel (2 req'd) Hex nut, ¼"-20 - stainless steel (2 req'd) Washer, ¼" size - stainless steel (2 req'd) Lockwasher, ¼" size - stainless steel (2 req'd)	11-0136 11-0107 11-0121 11-0322
8	'HE' plastic horizontal pump Refer to Parts List P-7200.	

* Specify motor frame size when ordering.

** Recommended spare parts.

F.O.B. Northbrook, Illinois

Terms: Net 30 Days

Minimum order \$25.00



SERFILCO[®], LTD.

2900 MacArthur Blvd. 847-509-2900
Northbrook, IL 60062-2005 U.S.A. 800-323-5431
e-mail: sales@serfilco.com FAX: 847-559-1995
www.serfilco.com

WESTERN

13721 Alma Avenue 310-532-0801
Gardena, CA 90249-2513 FAX: 310-532-0866