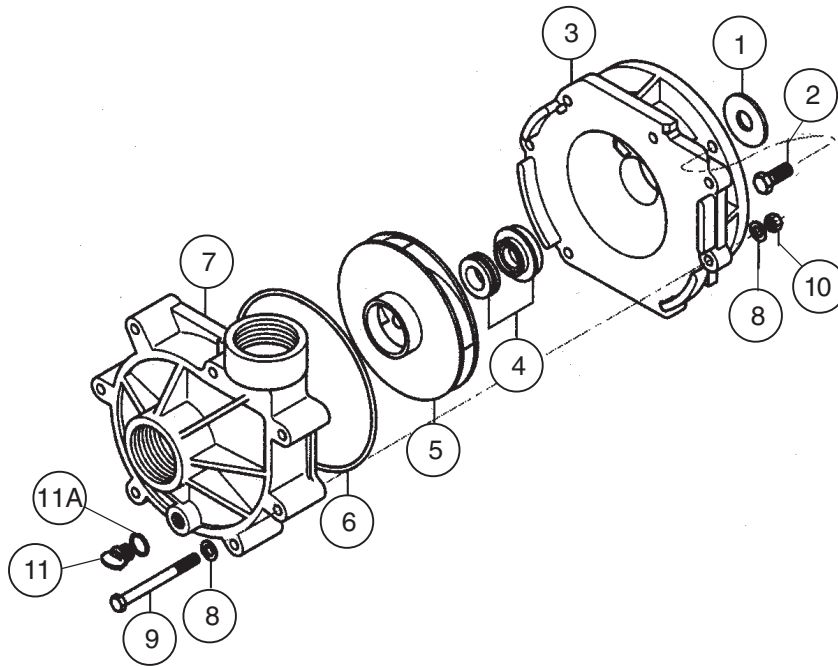




# SERIES 'HN' HORIZONTAL PUMP

PARTSLIST  
P-7225A  
SEPT. 2003



Refer to Bulletin P-111 and  
Master Price List F-800.

ITEM	DESCRIPTION	PRICE CODE NO.
1	Slinger, EPDM Viton	22-0914 22-0914V
2	Hex head bolt, SS, 3/8-16 x 1" (4 req'd)	11-0375
3	Bracket, 30% glass filled Noryl	44-2760
4	Mechanical seal, carbon ceramic EPDM Viton	55-0390 55-0390V
5	Impeller, enclosed #1 #2 #3 #4 #5 #6	44-2763-1 44-2763-2 44-2763-3 44-2763-4 44-2763-5 44-2763-6
6	"O"-ring, EPDM Viton	22-0869 22-0869V
7	Volute, 30% glass filled Noryl	44-2761
8	Washer, stainless steel, 1/4 flat (14 req'd)	11-0121
9	Hex head bolt, SS, 1/4-20 x 2 3/4" (7 req'd)	11-0893
10	Hex nut, SS, 1/4-20 (7 req'd)	11-0107
11	Drain plug, 30% glass filled Noryl	44-2762
11A	"O"-ring, EPDM Viton	22-2014 22-2014-V

MOTORS 56J, 3450 RPM, TEFC w/base		
HP	PRICE CODE NOS.	
	Single phase 115/208-230V/60 Hz	Three phase 208-230/460V/60Hz
.75	44-4017	44-4024
1.0	44-4018	44-4029
1.5	44-4019	44-4028
2.0	44-4049	44-4022
3.0	44-4093	44-4023

F.O.B. Northbrook, Illinois

Terms: Net 30 Days

Minimum order \$25.00

## SERFILCO® LTD.

2900 MacArthur Blvd. 847-509-2900  
Northbrook, IL 60062-2005 U.S.A. 800-323-5431  
e-mail: sales@serfilco.com FAX: 847-559-1995  
www.serfilco.com

**WESTERN**  
310-532-0801  
FAX: 310-532-0866