

HIGH FLOW FILTER CHAMBER Machined Base

PARTS LIST
P-7000B
MAY 1992

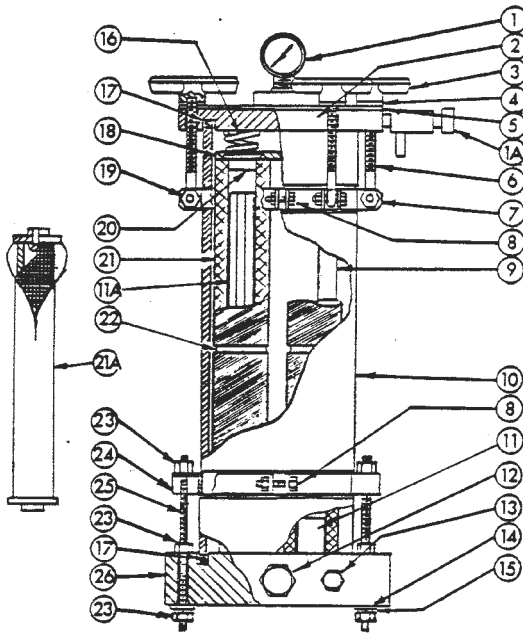
Refer to Master Price List F-800.

MODELS

*CVL 50S-1½-G3A
CVL100S-1½-G3A
CVL150S-1½-G3A
CVL200S-1½-G3A

CL50S-1½-G3A
CL100S-1½-G3A
CL150S-1½-G3A
CL200S-1½-G3A

CVL220S-2-G3A
CVL330S-2-G3A
CVL440S-2-G3A
CVL550S-2-G3A



ITEM	DESCRIPTION	MODEL NO.	PART NO.	
1	Type 3A gauge guard (includes vent valve)	ALL MODELS	99-0732B	
1A	Vent valve only	ALL MODELS	33-0051	
2	Cover, machined CPVC (4 slots) molded CPVC (6 slots)	CL50, 100, 150, 200 CVL220, 330, 440, 550	88-0966 88-0967	
3	Tee handle, polypropylene 3/8-16 (4 req'd) ½-13 (6 req'd)	CL50, 100, 150, 200 CVL220, 330, 440, 550	11-0265 11-0266	
4	Flat washer, stn. stl. 3/8 size (4 req'd) cad plated stl. ½ size (6 req'd)	CL50, 100, 150, 200 CVL220, 330, 440, 550	11-0447 11-0457	
5	Cover plate, fiberglass	CL50, 100, 150, 200 CVL220, 330, 440, 550	77-0792 99-0303	
6	Swing bolt, 3/8-16x6½ vinyl coated ½-13x5¾ stn. stl.	CL50, 100, 150, 200 CVL220, 330, 440, 550	11-0496A 11-0474	
7	Swing bolt bracket, vinyl coated steel stainless steel	CL50, 100, 150, 200 CVL220, 330, 440, 550	77-0793 77-7884	
8	Hex head bolt 3/8-16x1½ stn. stl. (2 req'd) Flat washer 3/8 size stn. stl. (4 req'd) Hex nut, self locking 3/8-16 stn. stl (2 req'd)	ALL MODELS ALL MODELS ALL MODELS	11-0444 11-0123 11-0523	
9	Inlet dispersion tube	CL50 CL100 CL150 CL200 CVL220 CVL330 CVL440 CVL550	88-1169 88-1170 88-1171 88-1172 88-1165 88-1166 88-1167 88-1168	
10*	Shell, vinyl lined fiberglass 8" diameter	CVL50 CVL100 CVL150 CVL200	77-0351-2 77-0352-2 77-0353-2 77-0358-2	
		12" diameter	CVL220 CVL330 CVL440 CVL550	77-0354-2 77-0355-2 77-0356-2 77-0357-2
	Vinyl liner	CVL50 CVL100 CVL150 CVL200 CVL220 CVL330 CVL440 CVL550	99-0201 99-0202 99-0203 99-0174 99-0204 99-0205 99-0206 99-0207	
	Shell, CPVC 8" diameter	CL50 CL100 CL150 CL200	77-9924 77-9925 77-9926 77-9927	

* Models CVL50, 100, 150 and 200 are no longer available. All parts for these chambers are identical to those listed for CL50, 100, 150, and 200 except 8" diameter fiberglass shells and vinyl liners are replaced by CPVC shells. Vinyl liners can be ordered as replacements.

MODELS

*CVL 50S-1½-G3A
 CVL100S-1½-G3A
 CVL150S-1½-G3A
 CVL200S-1½-G3A

 CL50S-1½-G3A
 CL100S-1½-G3A
 CL150S-1½-G3A
 CL200S-1½-G3A

 CVL220S-2-G3A
 CVL330S-2-G3A
 CVL440S-2-G3A
 CVL550S-2-G3A

ITEM	DESCRIPTION	MODEL NO.	PART NO.
11 11A	Depth cartridge guide Cross post	CL50 CL100, CVL220 CL150, CVL330 CL200, CVL440 CVL550	88-0412 88-0350-1 88-0351-1 88-0352-1 88-0353-1
12	Plug, CPVC w/EPDM 'O'-ring 1½"NPT 2" NPT	CL50, 100, 150, 200 CVL220, 330, 440, 550	33-0757 33-0754
13	Plug, CPVC w/EPDM 'O'-ring 1" NPT	CL50, 100, 150, 200	33-0792
14	Flat washer, stn. stl. 3/8 size (12 req'd) ½ size (18 req'd)	CL50, 100, 150, 200 CVL220, 330, 440, 550	11-0123 11-0124
15	Lockwasher, stn. stl. 3/8 size (12 req'd) ½ size (18 req'd)	CL50, 100, 150, 200 CVL220, 330, 440, 550	11-0140 11-0343
16	Hold-down spring only	ALL MODELS	77-0301
17	Gasket, EPDM (cover & base) " EPDM (base) 'O'-ring, EPDM (molded cover only)	CL50, 100, 150, 200 CVL220, 330, 440, 550 CVL220, 330, 440, 550	22-0168 22-0169 22-0578
18	Separator plate, CPVC	CL50, 100, 150, 200 CVL220, 330, 440, 550	88-0987 88-1160
19	Hex head bolt 3/8-16x1¾ cad plated steel Hex head nut 3/8-16 cad plated steel	ALL MODELS ALL MODELS	11-0522 11-0523
20	Top seat plate assembly w/vinyl coated spring without vinyl coated spring	ALL MODELS ALL MODELS	77-0701 77-0701A
21 21A	Depth filter cartridge, Refer to Product Catalog Sleeve cartridge, Refer to Parts List P-8600	ALL MODELS ALL MODELS	
22	Spacer, EPDM	ALL MODELS	22-0218
23	Hex nut, stainless steel 3/8-16 ½-13	CL50, 100, 150, 200 CVL220, 330, 440, 550	11-0105 11-0106
24	Hold-down bracket, vinyl coated steel stainless steel	CL50, 100, 150, 200 CVL220, 330, 440, 550	77-0794 77-0785
25	Tie rod, 3/8-16 ½-13	CL50, 100, 150, 200 CVL220, 330, 440, 550	77-0789 77-0790
26	Base, CPVC machined 1½" ports 2" ports	CL50, 100, 150, 200 CVL220, 330, 440, 550	88-0916 88-0915

* Models CVL50, 100, 150 and 200 are no longer available. All parts for these chambers are identical to those listed for CL50, 100, 150, and 200 except 8" diameter fiberglass shells and vinyl liners are replaced by CPVC shells. Vinyl liners can be ordered as replacements.

F.O.B. Northbrook, Illinois

Terms: Net 30 Days

Minimum order \$50.00



SERFILCO®

2900 MacArthur Blvd.
 Northbrook, IL 60062-2005 U.S.A.
 e-mail: sales@serfilco.com
 www.serfilco.com

847-509-2900
 800-323-5431
 FAX: 847-559-1995

DISTRIBUTED BY