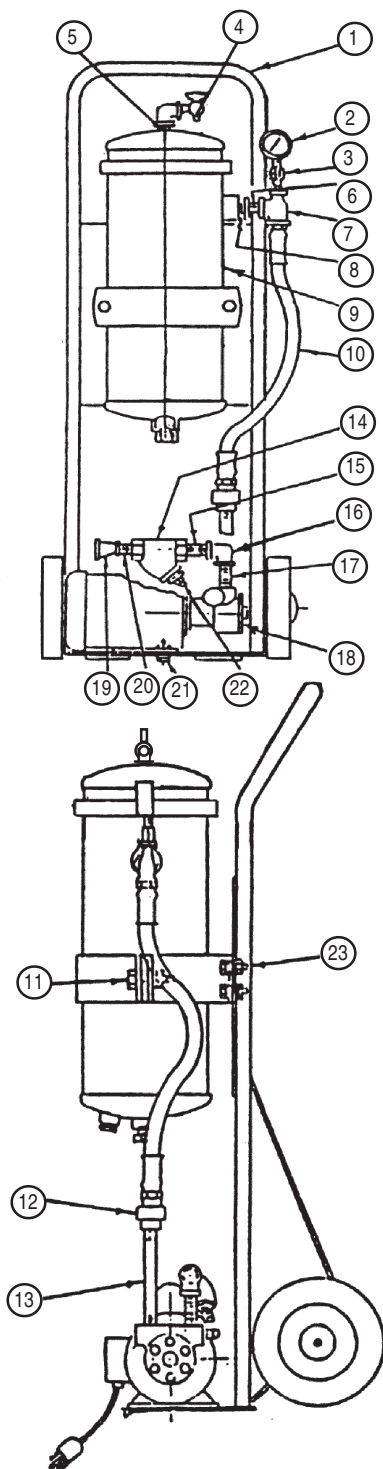


PORTABLE TRANS-O-FILTER

MODEL	PRICE CODE NUMBER
S1(718) 1/2B-TS6-P-SPB4-PS	1405B

Refer to Bulletin O-104, Operation and Service Guide O-200 and Master Price List F-800.

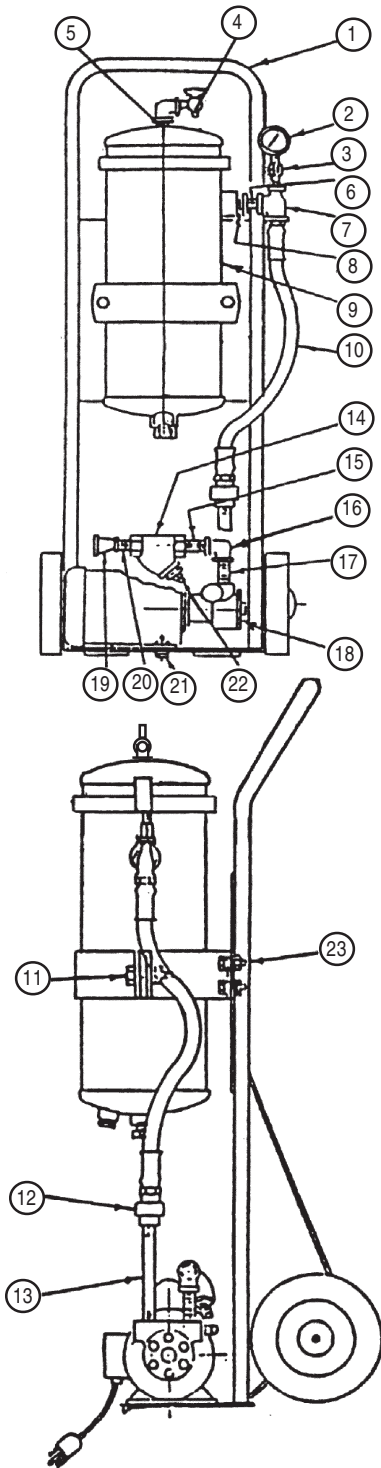


ITEM	DESCRIPTION	PART NO.
1	Portable Base	77-0586-1
2	Pressure Gauge, 0-60 psi	99-0101
3	Gauge Snubber	99-0102
4	Petcock, 1/4" NPT - Brass	33-0359
5	Street Elbow, 1/4" NPT	33-0378
6	Close Nipple, 1/2" NPT	33-0303
7	Reducing Tee, 1/2" x 1/4" x 1/2"	33-0309
8	Reducing Bushing, 1" x 1/2"	33-0319
9	Filter Chamber (Refer to Parts List P-3976)	79-0901-1
10	Hose Assembly, 1/2" x 24"	22-0630
11	Bolt, 3/8"-16 x 1 1/4" hex head - stainless steel (2 req'd) Lock Washer, 3/8" - stainless steel (2 req'd) Nut, 3/8"-16 hex head - stainless steel (2 req'd)	11-0372 11-0140 11-0105
12	Union, 1/2" NPT	33-0370
13	Nipple, 1/2" NPT (Order by length)	-
14	Strainer, 1/2" NPT (30 mesh)	33-0802
15	Nipple, 1/2" NPT x 2"	33-0371
16	Elbow, 90° - 1/2" NPT	33-0307
17	Nipple, 1/2" NPT x 4"	33-0304
18	Pump & Motor Assy. TS6-6 GPM 1/2 HP (See Parts List P-3300) Pump only Motor only, 1/2 HP, 115-230V/1/60, TEFC, 1725 RPM	44-0403 44-0403A 44-0420
19	Reducing Coupling, 3/4" x 1/2"	33-1191
20	Close Nipple, 1/2" NPT	33-0303
21	Bolt, 1/4"-20 x 3/4" hex head- stainless steel (4 req'd) Lock Washer, 1/4" - stainless steel (4 req'd) Flat Washer, 1/4" - stainless steel (4 req'd) Hex Nut — 1/4"- 20 - stainless steel (4 req'd)	11-0419 11-0322 11-0121 11-0107
22	Pipe Plug, 1/2" NPT	33-1215
23	Bolt, 3/8"-16 x 1" hex head - stainless steel (4 req'd) Flat Washer, 3/8" - stainless steel (8 req'd) Nut, 3/8"-16 hex head - stainless steel (4 req'd)	11-0375 11-0126 11-0105
24	Suction Hose, 3/4" x 10 ft. long (not shown)	22-0417
25	Discharge Hose, 1/2" x 10 ft. long (not shown)	22-0415
26	Pressure switch (not shown)	66-1419
27	Motor starter, manual magnetic push-button (SPB4) (not shown)	66-1197C

PORTABLE TRANS-O-FILTER

MODEL	PRICE CODE NUMBER
S2(718) 1B-TS9-P-SPB4-PS	S-1405B2

Refer to Bulletin O-104, Operation and Service Guide O-200 and Master Price List F-800.

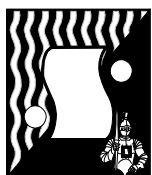


ITEM	DESCRIPTION	PART NO.
1	Portable base	77-1525-1
2	Pressure gauge, 0-60 psi	99-0101
3	Gauge snubber	99-0102
4	Petcock, 1/4" NPT - Brass	33-0359
5	Street elbow, 1/4" NPT	33-0378
6	Close nipple, 1" NPT	33-0318
7	Reducing tee, 1" x 1/4" x 1"	33-1197
8	Reducing bushing, 1 1/2" x 1"	33-0512
9	Filter chamber (Refer to Parts List P-3976)	79-0901-2
10	Hose assembly, 1" x 24"	22-0519A
11	Bolt, 3/8"-16 x 1 1/4" hex head - stainless steel (2 req'd)	11-0372
	Lock Washer, 3/8" - stainless steel (2 req'd)	11-0140
	Nut, 3/8" - 16 hex head - stainless steel (2 req'd)	11-0105
12	Union, 1" NPT	33-0341
13	Nipple, 1" NPT (Order by length)	-
14	Strainer, 1" NPT (30 mesh)	33-0804
15	Nipple, 1" NPT x 2" long	33-0329
16	Elbow, 90° - 1" NPT	33-0343
17	Nipple 1" NPT x 3" long	33-0334
18	Pump & Motor Assy TS 9 - 9 GPM 1 HP (See Parts List P-6300)	44-0608
	Pump only	44-0073
	Motor only, 1 HP, 115-230V/1/60, TEFC, 1725 RPM	44-0409
19	Coupling, 1" NPT	33-1204
20	Nipple, 1" NPT x 4" long	33-0335
21	Bolt, 1/4"-20 x 3/4" hex head - stainless steel (4 req'd)	11-0419
	Lock Washer, 1/4" - stainless steel (4 req'd)	11-0322
	Flat Washer, 1/4" - stainless steel (4 req'd)	11-0121
	Hex Nut, 1/4"-20 - stainless steel (4 req'd)	11-0107
22	Pipe Plug, 3/4" NPT	33-1190
23	Bolt, 3/8"-16 x 1" hex head - stainless steel (4 req'd)	11-0375
	Flat Washer, 3/8" - stainless steel (8 req'd)	11-0126
	Nut, 3/8" - 16 hex head - stainless steel (4 req'd)	11-0105
24	Suction hose, hydraulic 1" x 10 ft. (Not shown)	22-0416
25	Discharge hose, hydraulic, 1" x 10 ft. (Not shown)	22-0416
26	Pressure switch (Not shown)	66-1419
27	Motor starter, manual magnetic push-button (SPB4) (Not shown)	66-1197C

F.O.B. Northbrook, Illinois

Terms: Net 30 Days

Minimum order \$25.00



SERFILCO®, LTD.

1777 Shermer Road 847-559-1777
 Northbrook, IL 60062-5360 U.S.A. 800-323-5431
 Email: sales@serfilco.com FAX: 847-559-1995
 Web: http://www.serfilco.com

DISTRIBUTED BY

WESTERN

13721 Alma Avenue 310-532-0801
 Gardena, CA 90249-2513 FAX: 310-532-0866