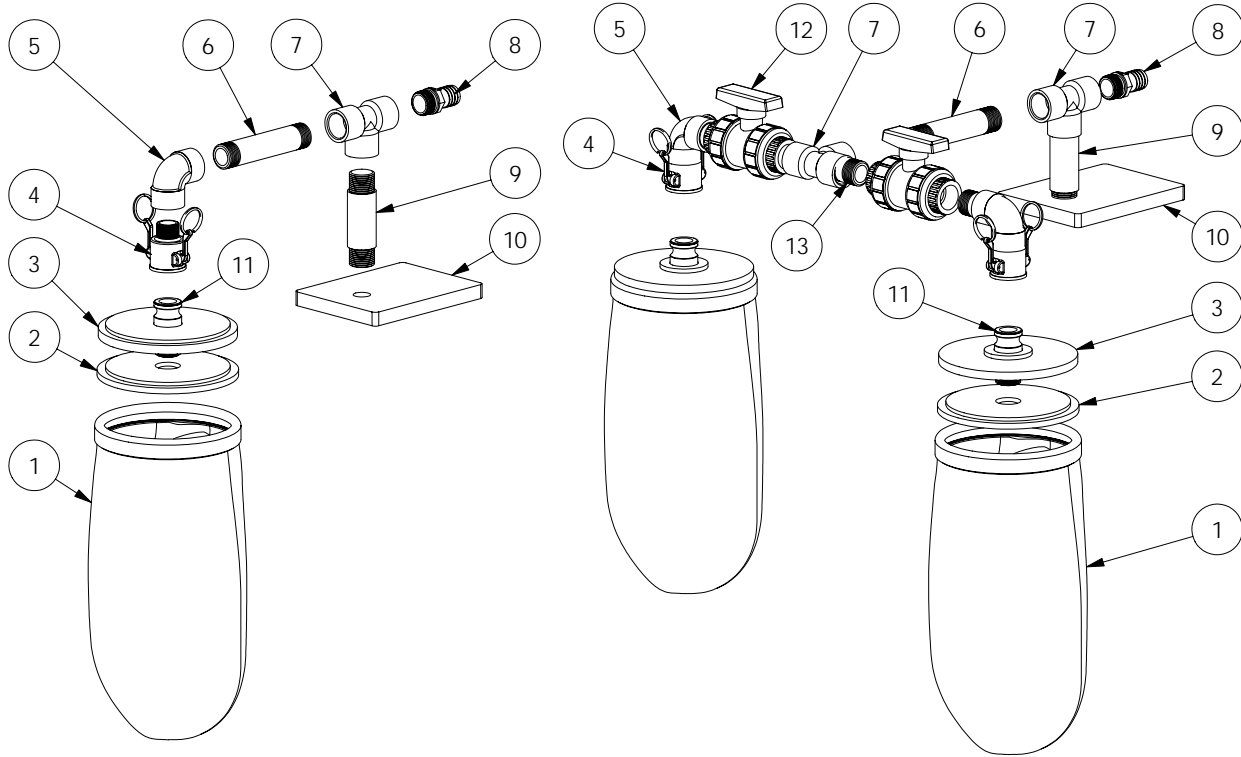




# OPEN BAG FILTER ASSEMBLY

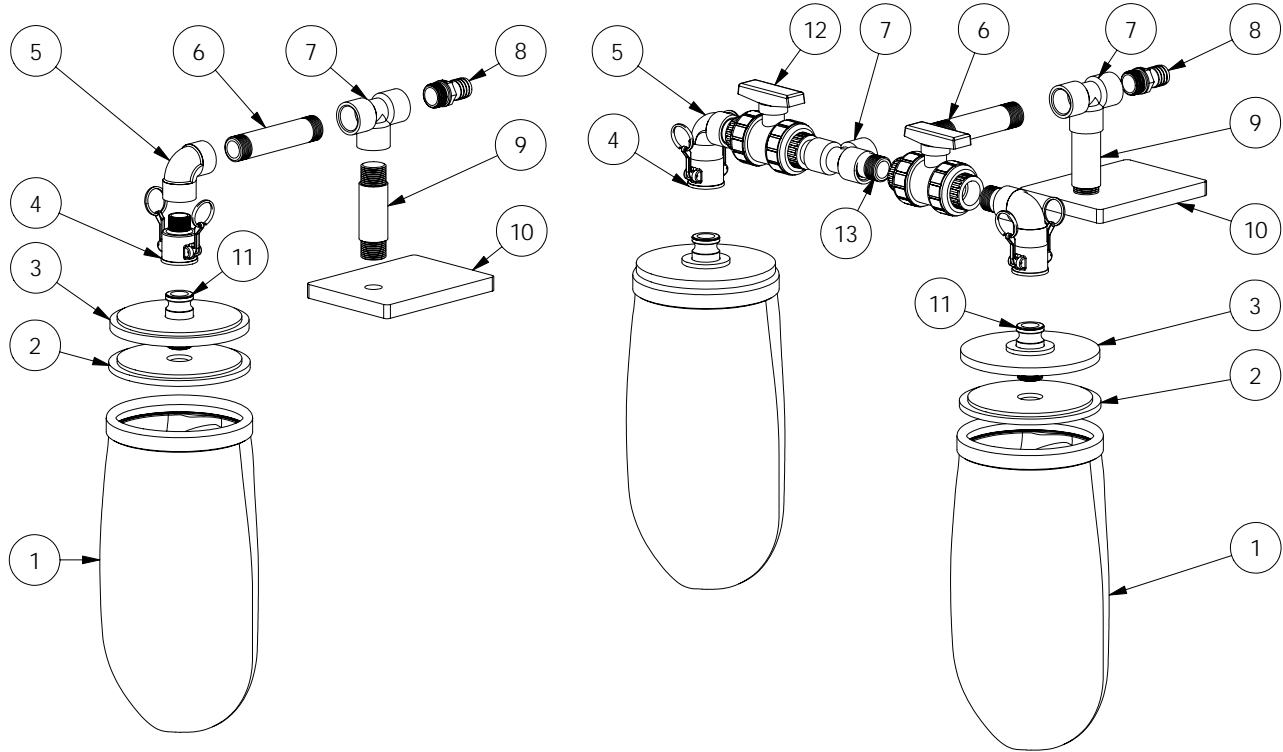
PARTS LIST  
P-6700\_F (1 OF 2)  
7/10/08

MODELS	PRICE CODE NOS.	MODELS	PRICE CODE NOS.
C49BF- 1/2"	88-1010-A	K49BF- 1/2"	88-1010-AK
C716BF- 3/4"	88-1011-A	K716BF- 3/4"	88-1011-AK
C49BFX2- 1/2"	88-1013-A	K49BFX2- 1/2"	88-1013-AK
C716BFX2- 3/4"	88-1012-A	K716BFX2- 3/4"	88-1012-AK



ITEM	DESCRIPTION	MODEL			
		C49BF- 1/2"	C716BF- 3/4"	K49BF- 1/2"	K716BF- 3/4"
		C49BFX2 1/2"	C716BFX2 3/4"	K49BFX2 1/2"	K716BFX2 3/4"
		CPVC		PVDF	
1	FILTER BAG- POLYPROPYLENE FELT 1 MICRON 5 MICRON 10 MICRON 25 MICRON 50 MICRON 100 MICRON	88-0849-F 88-0849-A 88-0849-B 88-0849-C 88-0849-D 88-0849-E	88-0848-F 88-0848-A 88-0848-B 88-0848-C 88-0848-D 88-0848-E	88-0849-F 88-0849-A 88-0849-B 88-0849-C 88-0849-D 88-0849-E	88-0848-F 88-0848-A 88-0848-B 88-0848-C 88-0848-D 88-0848-E
2	BAG PLATE	88-0857	88-0824	88-0857-K	88-0824-K
3	TOP PLATE	88-0858	88-0825	88-0858-K	88-0825-K
4	FEMALE COUPLER -W/EPR GASKET	33-1334	33-1287	33-1334-K	33-1287-K
5	ELBOW	33-0992	33-0993	33-0992-K	33-0993-K
6	NIPPLE- 6" LONG	33-1004	33-1010	33-1004-K	33-1010-K
7	TEE	33-0958	33-0959	33-0958-K	33-0959-K
8	STRAIGHT HOSE ADAPTER -CPVC W/ EPDM 'O'-RING	33-1275	33-1276	-	-
9	ROD- 5" LONG THREADED	33-1433	33-1434	33-1433-K	33-1434-K
10	PLATE -PVC	88-0817	88-0823	88-0817	88-0823
11	MALE ADAPTER	33-1335-1	33-1288-1	33-1335-1K	33-1288-1K
12	BALL VALVE (2 REQ'D) INCLUDED ON TWO-BAG ASSEMBLIES	33-0570	33-0571	33-0570-K	33-0571-K
13	SHORT NIPPLE (4 REQ'D)	33-0198	33-1006	33-0198-K	33-1006-K

MODELS	PRICE CODE NOS.	MODELS	PRICE CODE NOS.
C49BF- 3/4"	88-1580	K49BF- 3/4"	88-1580-K
C716BF- 1"	88-1581	K716BF- 1"	88-1581-K
C716BF- 1 1/2"	88-1582	K716BF- 1 1/2"	88-1582-K
C49BFX2- 3/4"	88-1580-2	K49BFX2- 3/4"	88-1580-2K
C716BFX2- 1"	88-1581-2	K716BFX2- 1"	88-1581-2K
C716BFX2-1 1/2"	88-1582-2	K716BFX2-1 1/2"	88-1582-2K



ITEM	DESCRIPTION	MODEL					
		C49BF- 3/4" C49BFX2 3/4"	C716BF- 1" C716BFX2-1"	C716BF-1 1/2" C716BFX2-1 1/2"	K49BF- 3/4" K49BFX2 3/4"	K716BF- 1" K716BFX2-1"	K716BF- 1 1/2" K716BFX2-1 1/2"
		CPVC			PVDF		
1	FILTER BAG- POLYPROPYLENE FELT 1 MICRON 5 MICRON 10 MICRON 25 MICRON 50 MICRON 100 MICRON	88-0849-F 88-0849-A 88-0849-B 88-0849-C 88-0849-D 88-0849-E	88-0848-F 88-0848-A 88-0848-B 88-0848-C 88-0848-D 88-0848-E	88-0849-F 88-0849-A 88-0849-B 88-0849-C 88-0849-D 88-0849-E	88-0848-F 88-0848-A 88-0848-B 88-0848-C 88-0848-D 88-0848-E	88-0848-F 88-0848-A 88-0848-B 88-0848-C 88-0848-D 88-0848-E	
2	BAG PLATE	88-0857-1	88-0824-2	88-0824-1	88-0857-1K	88-0824-2K	88-0824-1K
3	TOP PLATE	88-0858-1	88-0825-2	88-0825-1	88-0858-1K	88-0825-2K	88-0825-1K
4	FEMALE COUPLER -W/EPR GASKET	33-1287	33-1352	33-1353	33-1287-K	33-1352-K	33-1353-K
5	ELBOW	33-0993	33-0994	33-0996	33-0993-K	33-0994-K	33-0996-K
6	NIPPLE- 6" LONG	33-1010	33-1016	33-1028	33-1010-K	33-1016-K	33-1028-K
7	TEE	33-0959	33-0960	33-0962	33-0959-K	33-0960-K	33-0962-K
8	STRAIGHT HOSE ADAPTER -W/ EPDM 'O'-RING	33-1276	33-1277	33-1158	-	-	-
9	ROD- 5" LONG THREADED	33-1434	33-1434-2	33-1434-1	33-1434-K	33-1434-2K	33-1434-1K
10	PLATE -PVC	88-0823	88-0823-2	88-0823-1	88-0823	88-0823-2	88-0823-1
11	MALE ADAPTER	33-1288-1	33-1286-1	33-1284-2	33-1288-1K	33-1286-1K	33-1284-2K
12	BALL VALVE *	33-0571	33-0572	33-0574	33-0571-K	33-0572-K	33-0574-K
13	SHORT NIPPLE (4 REQ'D)	33-1006	33-1012	33-1024	33-1006-K	33-1012-K	33-1024-K

\* INCLUDED ON TWO BAG ASSEMBLIES

Bulletin	F-509
Operation & Service Guide	O-640

