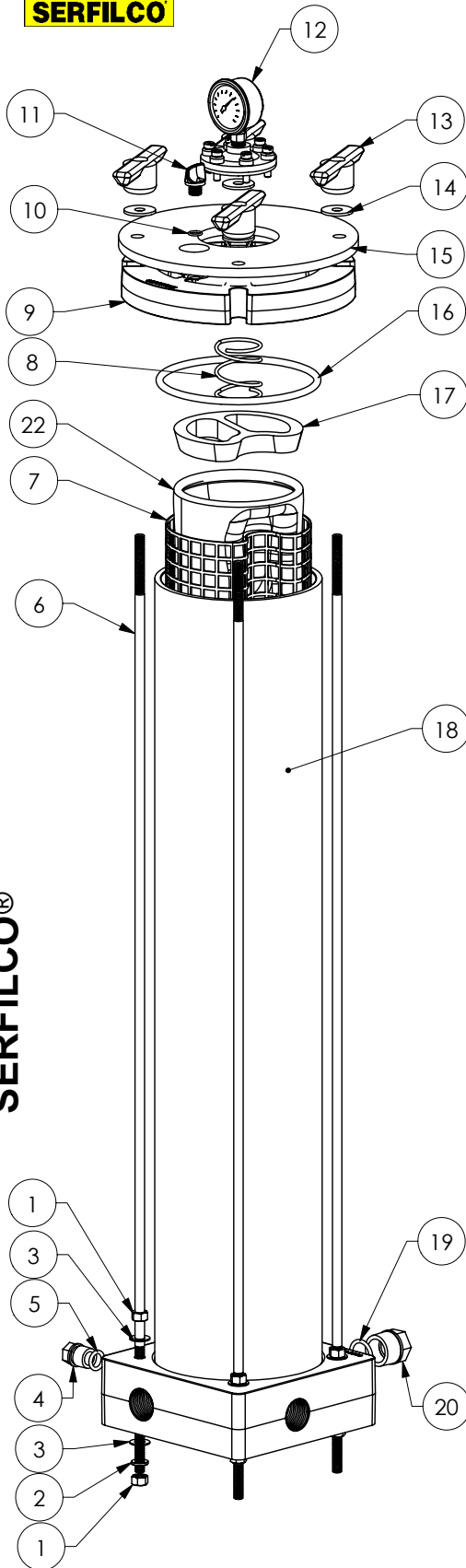


'S' BAG FILTER CHAMBER

Base Inlet, Tie Rod

PARTS LIST
P-6660_A (1 OF 2)
10/07/04

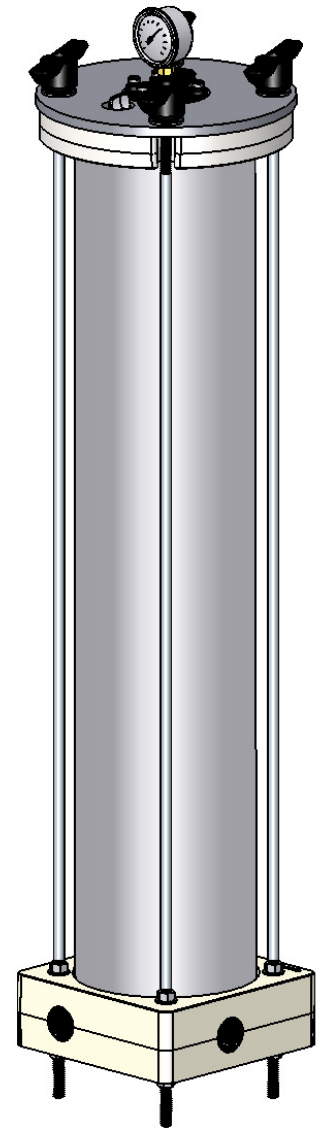
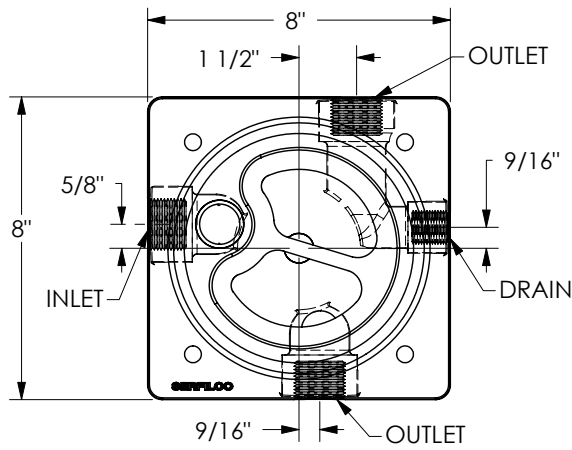
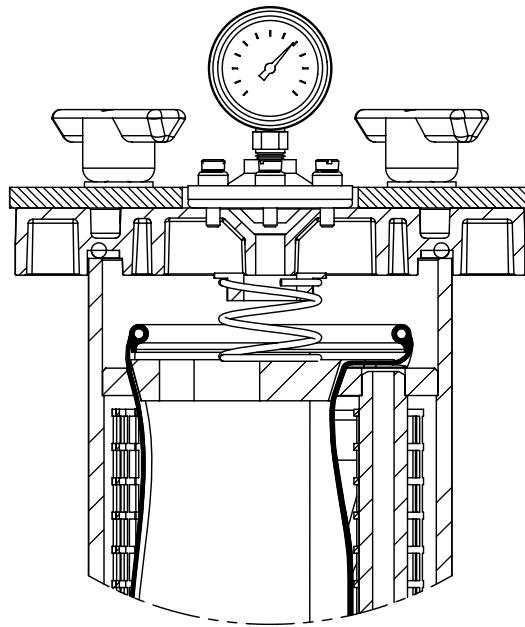
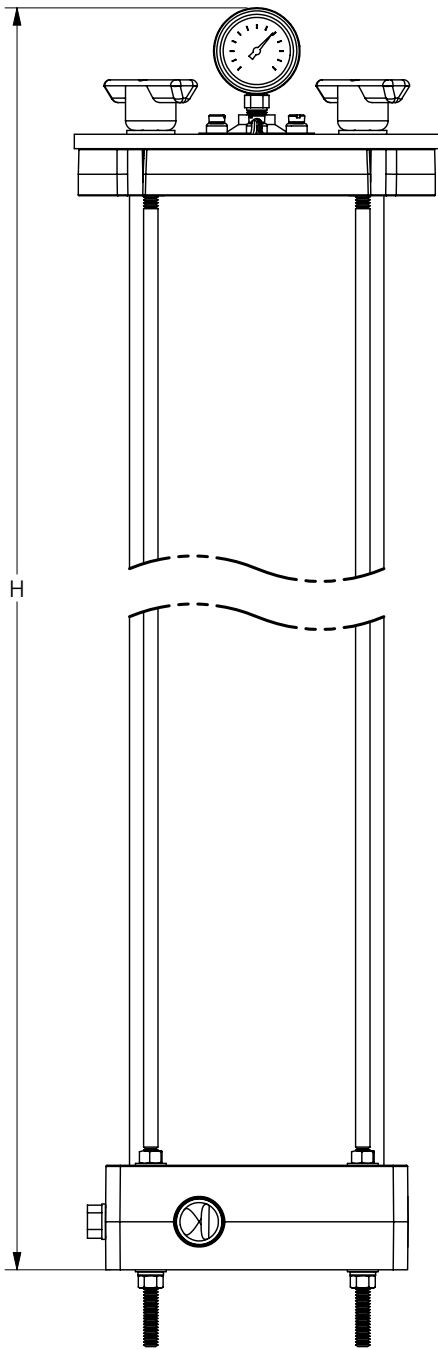


| | MODELS 30" | PRICE CODE | MODELS 40" | PRICE CODE |
|------|-------------|------------|-------------|------------|
| PP | PPL630BFS-1 | 78-1783-PP | PPL640BFS-1 | 78-1784-PP |
| PVDF | KL630BFS-1 | 78-1783-K | KL640BFS-1 | 78-1784-K |

| NO. | TITLE | TITLE DESCRIPTION | QTY. | 30" | 40" |
|-----|----------|--|------|--|---------------------------|
| 1 | NUT | Lock 3/8-16 SS | 8 | 11-0105 | |
| 2 | WASHER | Lock 3/8" size SS | 4 | 11-0140 | |
| 3 | WASHER | Flat 3/8" size SS | 8 | 11-0126 | |
| 4 | PLUG | 1/2" NPT PP PVDF | 1 | 33-0866-PP 33-0866-K | |
| 5 | O-RING | | 1 | 22-0569 22-0568 | |
| 6 | TIE ROD | 3/8"-16 SS | 4 | 77-1399-3 | 77-1399-4 |
| 7 | NETTING | PP | 1 | 77-1371-3 | 77-1371-4 |
| 8 | SPRING | Hold Down PVDF Coated | 1 | 77-0301-2 | |
| 9 | COVER | Assembly PP PVDF | 1 | 78-0180-PP 78-0180-K | |
| 10 | O-RING | PP EPDM Viton PVDF EPDM Viton | 1 | 22-0870 22-0870-V 22-0600 22-0691 | |
| 11 | VENT | Valve 1/4" PP Plug 1/4" PVDF | 1 | 33-8108-PP 88-1340 | |
| 12 | GAUGE | Guard Assembly G3 | 1 | 99-0732 | |
| 13 | HANDLE | Tee 3/8-16, PP | 4 | 11-0265 | |
| 14 | WASHER | 3/8" size SS | 4 | 11-0447 | |
| 15 | COVER | Plate FRP SS | 1 | 88-0597-A 88-0597-1 | |
| 16 | O-RING | PP EPDM Viton PVDF EPDM Viton | 1 | 22-0365 22-0360 22-0199 22-0565 | |
| 17 | DISC | Press Down PP PVDF | 1 | 78-0169-PP 78-0169-K | |
| 18 | ASSEMBLY | SHELL & BASE PP PVDF | 1 | 78-0167-3PP 78-0167-3K | 78-0167-4PP 78-0167-4K |
| 19 | O-RING | | 1 | 22-0605 22-0604 | |
| 20 | PLUG | 1" NPT PP PVDF | 1 | 33-0212-PP 33-0212-K | |

| | | | | | | |
|----|-----|----------------|-------|---|-----------|-----------|
| 21 | BAG | Filter PP felt | 1µm | 1 | 88-0832-G | 88-1476-F |
| | | | 5µm | | 88-0832-A | 88-1476-A |
| | | | 10µm | | 88-0832-B | 88-1476-B |
| | | | 25µm | | 88-0832-C | 88-1476-C |
| | | | 50µm | | 88-0832-E | 88-1476-E |
| | | | 100µm | | 88-0832-D | 88-1476-D |

SERFILCO®



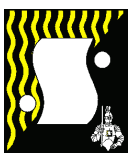
| CHAMBER MODEL | 'H' HEIGHT |
|---------------|------------|
| 630BFS-1 | 39 1/4" |
| 640BFS-1 | 49 1/4" |

| | |
|---------------------------|-------|
| Bulletin | C-307 |
| Operation & Service Guide | O-621 |
| Price List | F-800 |

F.O.B Northbrook, Illinois

Terms: Net 30 Days

Minimum order \$25.00



SERFILCO, LTD.

2900 MacArthur Blvd.
Northbrook, IL 60062 U.S.A.
Email: Sales@SERFILCO.com
Web: WWW.SERFILCO.COM

(800) 323-5431
(847) 509-2900
Fax: (847) 559-1995