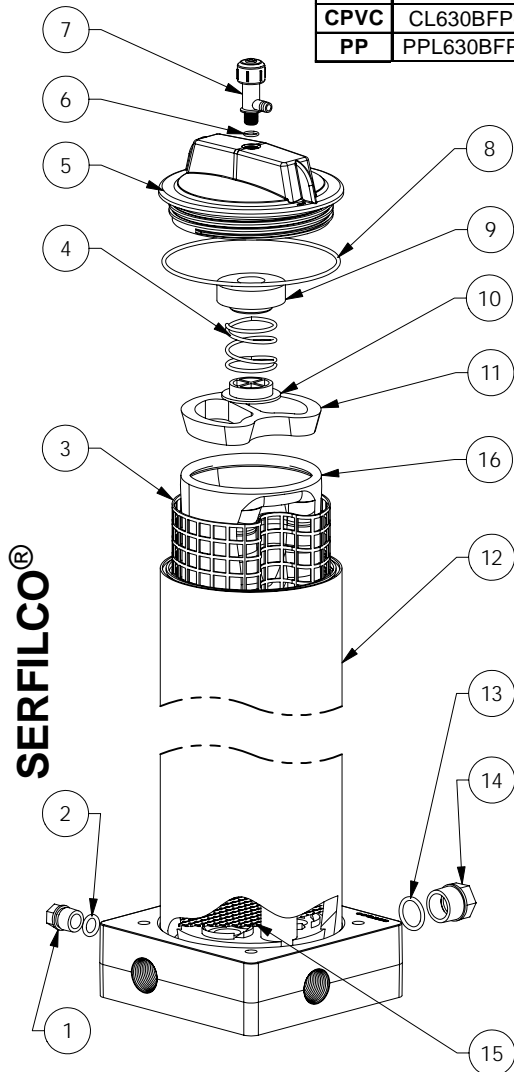




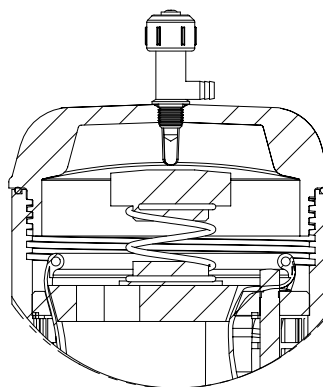
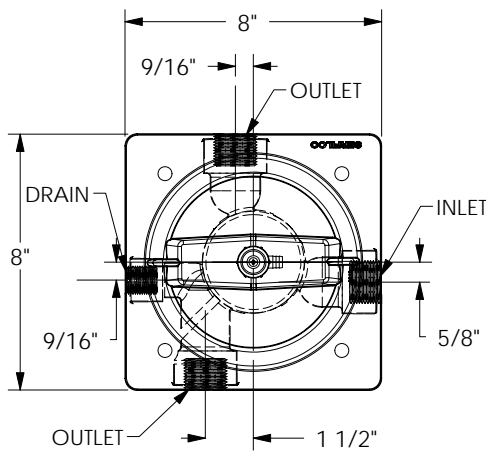
'S' BAG FILTER CHAMBER Base Inlet, Screw Top

PARTS LIST
P-6655
02/14/06

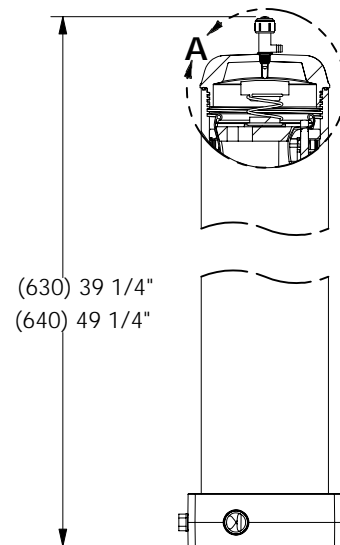
	MODELS 30"	PRICE CODE	MODELS 40"	PRICE CODE
PVC	PL630BFP-1	78-1793-P	PL640BFP-1	78-1794-P
CPVC	CL630BFP-1	78-1793-C	CL640BFP-1	78-1794-C
PP	PPL630BFP-1	78-1793-PP	PPL640BFP-1	78-1794-PP



NO.	TITLE	TITLE DESCRIPTION	QTY.	30"	40"
1	PLUG	1/2" NPT	PP CPVC	1	33-0866-PP 33-0866
2	O-RING		EPDM Viton	1	22-0569 22-0568
3	NETTING		PP	1	77-1371-3 77-1371-4
4	SPRING	Hold Down Vinyl Coated		1	77-0301-1
5	COVER	Screw Top	CPVC RYTON	1	88-3159 88-3159-R
6	O-RING		EPDM Viton	1	22-0870 22-0870-V
7	VENT	Valve	PP	1	33-8108-PP
8	O-RING		EPDM Viton	1	22-0887 22-0887-V
9	ADAPTER	Spring	PP CPVC	1	78-0178-PP 78-0178-C
10	CAP	Spring Guard	PP CPVC	1	77-1241-PP 77-0911
11	DISC	Press Down	PP CPVC	1	78-0169-PP 78-0169-C
12	SHELL/BASE	Assembly	PP PVC CPVC	1	78-0166-3PP 78-0166-4PP 78-0166-3P 78-0166-4P 78-0166-3C 78-0166-4C
13	O-RING		EPDM Viton	1	22-0605 22-0604
14	PLUG	1" NPT	PP CPVC	1	33-0212-PP 33-0212
15	SCREEN	Disc		1	88-1036-1
16	BAG	Filter PP felt	1µm 5µm 10µm 25µm 50µm 100µm	1	88-0832-G 88-1476-F 88-0832-A 88-1476-A 88-0832-B 88-1476-B 88-0832-C 88-1476-C 88-0832-E 88-1476-E 88-0832-D 88-1476-D



DETAIL A
SCALE 1 : 4

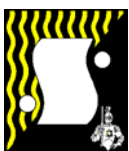


Bulletin	C-307
Operation & Service Guide	O-621

F.O.B Northbrook, Illinois

Terms: Net 30 Days

Minimum order \$50.00



SERFILCO, LTD.

2900 MacArthur Blvd.
Northbrook, IL 60062 U.S.A.
Email: Sales@SERFILCO.com
Web: WWW.SERFILCO.COM

(800) 323-5431
(847) 509-2900
Fax: (847) 559-1995