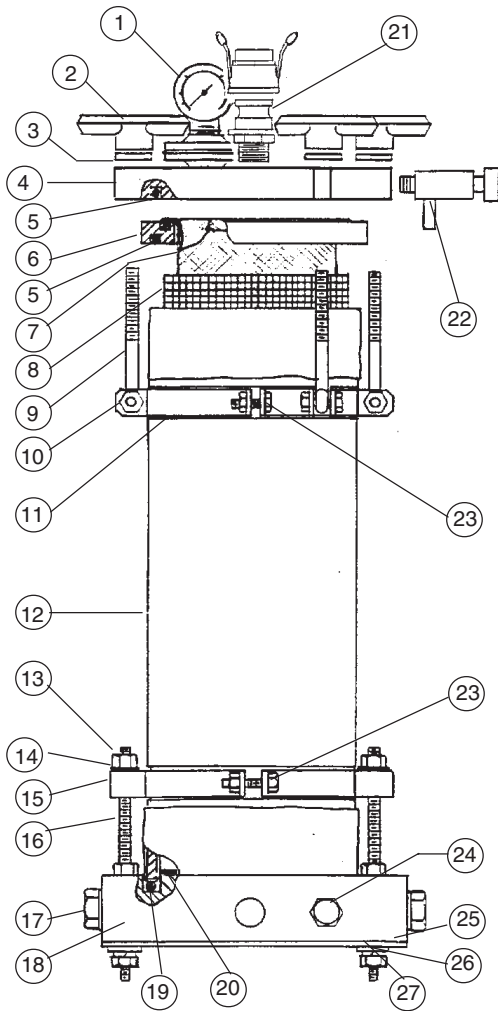




BAG FILTER CHAMBERS

MODELS	PRICE CODE NOS.
PL1230 BFS-1½-G3A	78-0911
CVL1230 BFS-1½-G3A	78-0903
CL1230 BFS-1½-G3A	78-0903C
PL1250 BFS-1½-G3A	78-0912
CVL1250 BFS-1½-G3A	78-0904
CL1250 BFS-1½-G3A	78-0904C

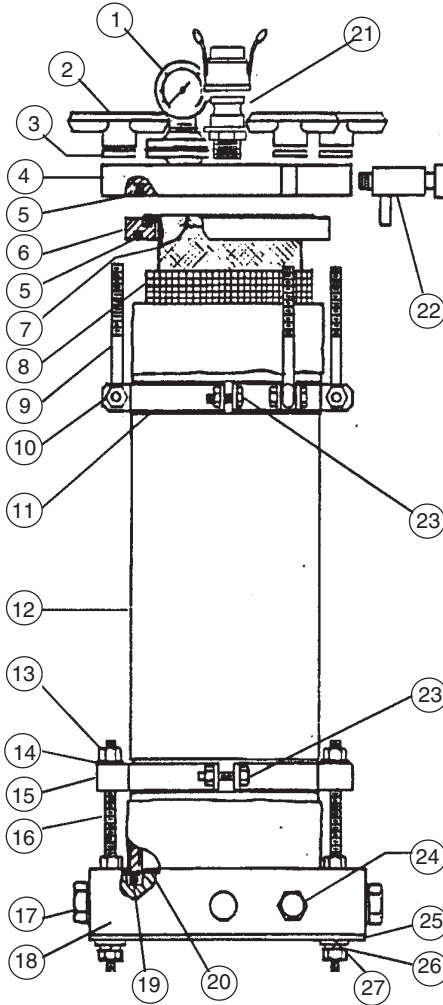
Refer to Bulletin C-301, Operation and Service Guide O-630 and Master Price List F-800.



ITEM	DESCRIPTION	PART NOS.		
		PL	CVL	CL
1	Model G3A gauge guard assembly (Provided with Item #22 vent valve) Refer to Parts List P-2300	99-0732B		
2	Tee handle, ½"-13 - polypropylene (6 req'd)	11-0266		
3	Flat washer, ½" size - stainless steel (6 req'd)	11-0619		
4	Cover - PVC - CPVC	88-0852-1 -	- 88-0852	
5 ¹	'O'-ring - EPDM (standard) - Viton	22-0578 22-0594		
6	Support plate - PVC - CPVC	88-0853-1 -	- 88-0853	
7 ¹	Filter bag - polypropylene felt For 1230 chamber 1 micron 5 micron 10 micron 25 micron 50 micron 100 micron For 1250 chamber 1 micron 5 micron 10 micron 25 micron 50 micron 100 micron	88-0854F 88-0854A 88-0854B 88-0854C 88-0854E 88-0854D 88-0851F 88-0851A 88-0851B 88-0851C 88-0851E 88-0851D		
8	Bag filter netting - polypropylene For 1230 chamber, 108" x 28" For 1250 chamber, 108" x 48"	99-0631-1 99-0631-2		
9	Swing bolt, ½"-13 x 5-3/4" - stn. steel (6 req'd)	11-0474-1		
10	Hex head bolt, 3/8"-16 x 1½" - stn. stl. (6 req'd) Flat washer, 3/8" size - stn. stl. (12 req'd) Hex nut, self-locking, 3/8"-16 - stn. stl. (6 req'd)	11-0444-1 11-0126 11-0519		
11	Swing bolt bracket - 316 stainless steel	77-0788		
12	Shell -PVC 1230 Model 1250 Model - Vinyl lined fiberglass 1230 Model 1250 Model - Vinyl liner 1230 Model 1250 Model - CPVC 1230 Model 1250 Model	77-0569-2 77-0569-4 - - - - - -	- - 77-0830-2 77-0832-2 99-0205 99-0207 - -	- - - - - 77-0017-2 77-0017-4
13	Hex nut, ½"-13 - stainless steel (12 req'd)	11-0106		

¹ Recommended spare parts.

MODELS	PRICE CODE NOS.
PL1230 BFS-1½-G3A	78-0911
CVL1230 BFS-1½-G3A	78-0903
CL1230 BFS-1½-G3A	78-0903C
PL1250 BFS-1½-G3A	78-0912
CVL1250 BFS-1½-G3A	78-0904
CL1250 BFS-1½-G3A	78-0904C



ITEM	DESCRIPTION	PART NOS.		
		PL	CVL	CL
14	Flat washer, ½" size - stainless steel (4 req'd)		11-0711	
15	Hold down bracket - stainless steel		77-0795-1	
16	Tie rod, ½"-13 x 7½" long - stainless steel (4 req'd)		77-0758	
17	Plug, 1½" NPT - CPVC - *EPDM 'O'-ring - Viton 'O'-ring		33-0868-1 22-0573 22-0296	
18	Base-molded - CPVC		88-0974-1	
19 ¹	Flat gasket - EPDM (standard) - Viton		22-0667 22-0668	
20	Mesh disc (3 req'd)		88-1037	
21	Quick-connect coupling, 1½" - glass reinforced polypropylene Male adapter/male threads Female coupler/female thread w/EPDM gasket Gasket, 1½" ¹ - EPDM (standard) - Viton		33-1284 33-1456 33-1478 58-1625-73	
22	Vent valve (Included on Item #1)		33-0051	
23	Hex head bolt, 3/8"-16 x 1¾" - stainless steel Flatwasher, 3/8" size - stainless steel Lockwasher, 3/8" size - stainless steel Hex nut, 3/8"-16 size - stainless steel		11-0374 11-0126 11-0140 11-0105	
24	Plug, ¾" NPT 'O'-ring only ¹ - EPDM (standard) - Viton		33-0211 22-0570 22-0563	
25	Bottom support plate - fiberglass		77-0811	
26	Lock washer, ½" size - stainless steel (4 req'd)		11-0343	
27	Flat washer, ½" size - stainless steel (4 req'd)		11-0124	

¹ Recommended spare parts.

F.O.B. Northbrook, Illinois

Terms: Net 30 Days

Minimum order \$25.00



SERFILCO, LTD.

2900 MacArthur Blvd. 847-509-2900
Northbrook, IL 60062-2005 800-323-5431
e-mail: sales@serfilco.com FAX: 847-559-1995
www.serfilco.com

DISTRIBUTED BY

WESTERN

5005 S. Hampton Street 213-588-0801
Los Angeles, CA 90058 FAX: 213-588-6826