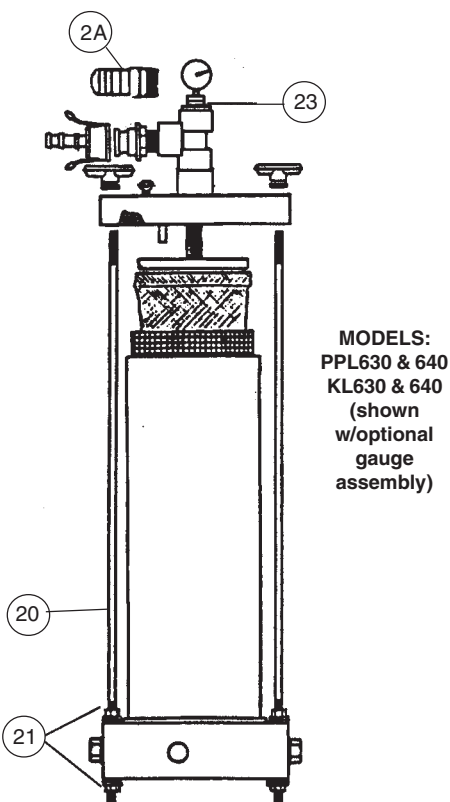
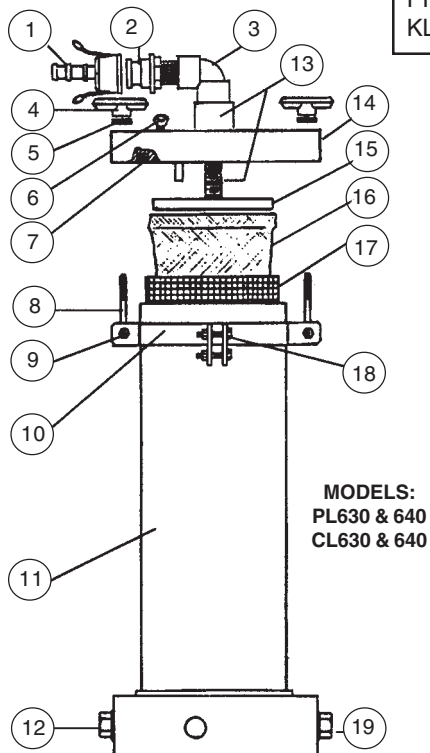


# BAG FILTER CHAMBERS



MODELS	PRICE CODE NOS.	MODELS	PRICE CODE NOS.
PL630BFS-1	78-0909	PL640BFS-1	78-0913
CL630BFS-1	78-0902	CL640BFS-1	78-0914
PPL630BF-1	78-0918	PPL640BF-1	78-0915
KL630BFS-1	78-1401	KL640BFS-1	78-1402

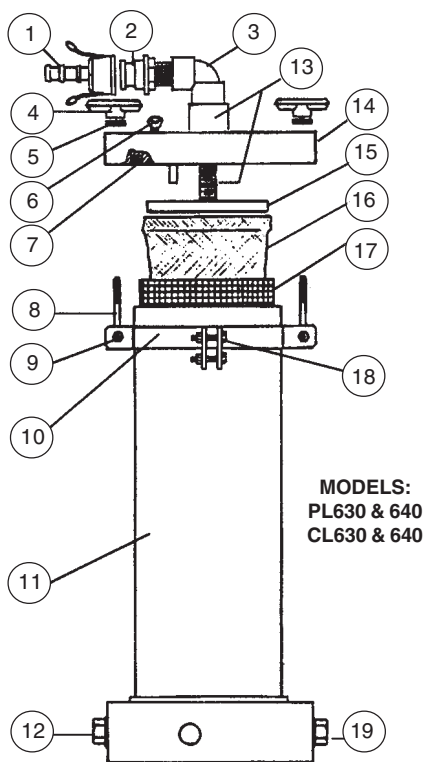


Refer to Bulletin C-301, Operation and Service Guide O-620 and Master Price List F-800.

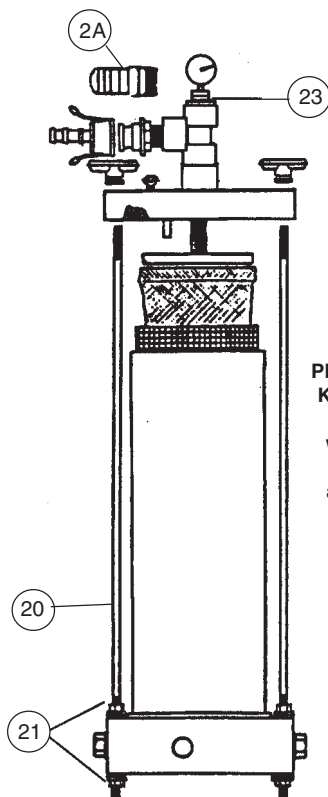
ITEM	DESCRIPTION	PART NUMBERS			
		PL	CL	PPL	KL
1	1" Female coupler/hose adapter 1" Gasket - EPDM <sup>1</sup>	33-1574 33-1477		-	
2	1" Male Adapter/male thread coupler	33-1286		-	
2A	1" Straight Adapter PVDF	-		33-1664	
3	Elbow, 1" NPT	PVC 33-5894	CPVC 33-0994	PP 33-0107	PVDF 33-5995
4	Tee Handle, 3/8"-16 - polypropylene (4 req'd)	11-0265			
5	Flatwasher, 3/8" size -stainless steel	11-0447			
6 <sup>1,2</sup>	Vent plug ass'y, 1/4" w/EPDM 'O'-ring (std.) w/Viton 'O'-ring	PP 88-1282A 88-1282B			PVDF 88-2833 88-2822
7 <sup>1</sup>	Cover 'O'-ring -EPDM (standard) - Viton	22-0365 22-0360		22-0199 22-0565	
8	Swing bolt, 3/8"-16 x 3 1/2" - stainless steel (4 req'd)	11-0497 1		-	
9	Hex head bolt, 3/8"-16 x 1-5/8" - stainless steel (4 req'd) Self-locking nut, 3/8"-16 - stainless steel (4 req'd)	11-0444 1 11-0519		-	
10	Swing bolt bracket -vinyl coated steel	88-0596		-	
11	Shell & base assembly Model 630 Model 640	88-2914 88-2915	88-1126 88-1127	88-2794 88-2795	88-2882 88-2883
12	Plug, 1/2" NPT - EPDM 'O'-ring (standard) - Viton 'O'-ring	33-0866		33-0164 1	33-1670
13	Bag retainer plate sealing assembly 'O'-ring <sup>1</sup> - EPDM (standard) - Viton	88-2868	88-0833 2	88-2799	88-2711
14	Cover assembly, molded w/vent plug & EPDM 'O'-rings (std.) w/vent plug & Viton 'O'-rings (Items 6 & 7)	88-2744 88-2744 1	88-0758A 88-0758B	88-2802 1 88-2802 2	88-2708 88-2708 1
15	Bag retainer plate	PVC 88-2865	CPVC 88-0833	PP 88-2796	PVDF 88-2703

<sup>1</sup> Recommended spare parts.

<sup>2</sup> Cover assembly w/3/8"-16 vent screw is no longer available.  
Order cover assembly w/1/4" NPT vent plug as listed above.



MODELS:  
PL630 & 640  
CL630 & 640



MODELS:  
PPL630 & 640  
KL630 & 640  
(shown  
w/optional  
gauge  
assembly)

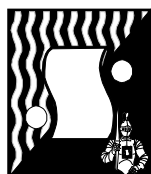
ITEM	DESCRIPTION	PART NOS.			
		PL	CL	PPL	KL
16 <sup>1</sup>	Filter bag -polypropylene felt Model 630 1micron 5 micron 10 micron 25 micron 50 micron 100 micron Model 640 1 micron 5 micron 10 micron 25 micron 50 micron 100 micron			88-0832G 88-0832A 88-0832B 88-0832C 88-0832E 88-0832D 88-1476F 88-1476A 88-1476B 88-1476C 88-1476E 88-1476D	
17	Bag filter netting -polypropylene Model 630 48" x 28" Model 640 48" x 38"			99-0631 99-0631 3	
18	Hex head bolt 1/4" - 20 x 1 1/4" - stainless steel (2 req'd) Flat washer, 1/4" size - stainless steel (2 req'd) Whizz nut, 1/4" - 20 - stainless steel (2 req'd)	11-0390 11-0121 11-0103		- - -	- - -
19	Plug, 1" NPT - EPDM 'O'-ring (std.) - Viton 'O'-ring	33-0212		33-8067 22-0605 22-0604	33-1672
20	Tie rod, 3/8"-16 - stn. steel (4 req'd) 630 Models 40" long 640 Models 50" long	- -		77-0404 2 77-0404 2	
21	Hex nut, 3/8"-16 - stainless steel (8 req'd) Lock washer, 3/8" - stainless steel (8 req'd) Flat washer, 3/8" size - stainless steel (8 req'd)	- - -		11-0105 11-0140 11-0126	
22 <sup>1</sup>	Mesh disc (3 req'd) not shown - polypropylene			88-1036	
23	Optional gauge assembly Includes: 1. Tee, 1" NPT 2. Reducing bushing, 1" x 1/4" NPT 3. 'O'-ring - EPDM (std.) - Viton 4. Gauge guard assy. (Refer to Parts List P-2300)	33-0960 33-6002		33-0119 33-6003 22-0605 22-0604 99-0731	33-8069 33-6002 1 99-1222
24	Cover plate - FRP (not shown) standard of KL & PPL models	-		88-0597 A	

<sup>1</sup> Recommended spare parts.  
<sup>2</sup> Cover assembly w/3/8"-16 vent screw is no longer available.  
Order cover assembly w/1/4" NPT vent plug as listed above.

F.O.B. Northbrook, Illinois

Terms: Net 30 Days

Minimum order \$25.00



**SERFILCO® LTD.**

2900 MacArthur Blvd. 847-509-2900  
Northbrook, IL 60062-2005 U.S.A. 800-323-5431  
e-mail: sales@serfilco.com FAX: 847-559-1995  
www.serfilco.com

DISTRIBUTED BY

**WESTERN**

13721 Alma Avenue 310-532-0801  
Gardena, CA 90249-2513 FAX: 310-532-0866