

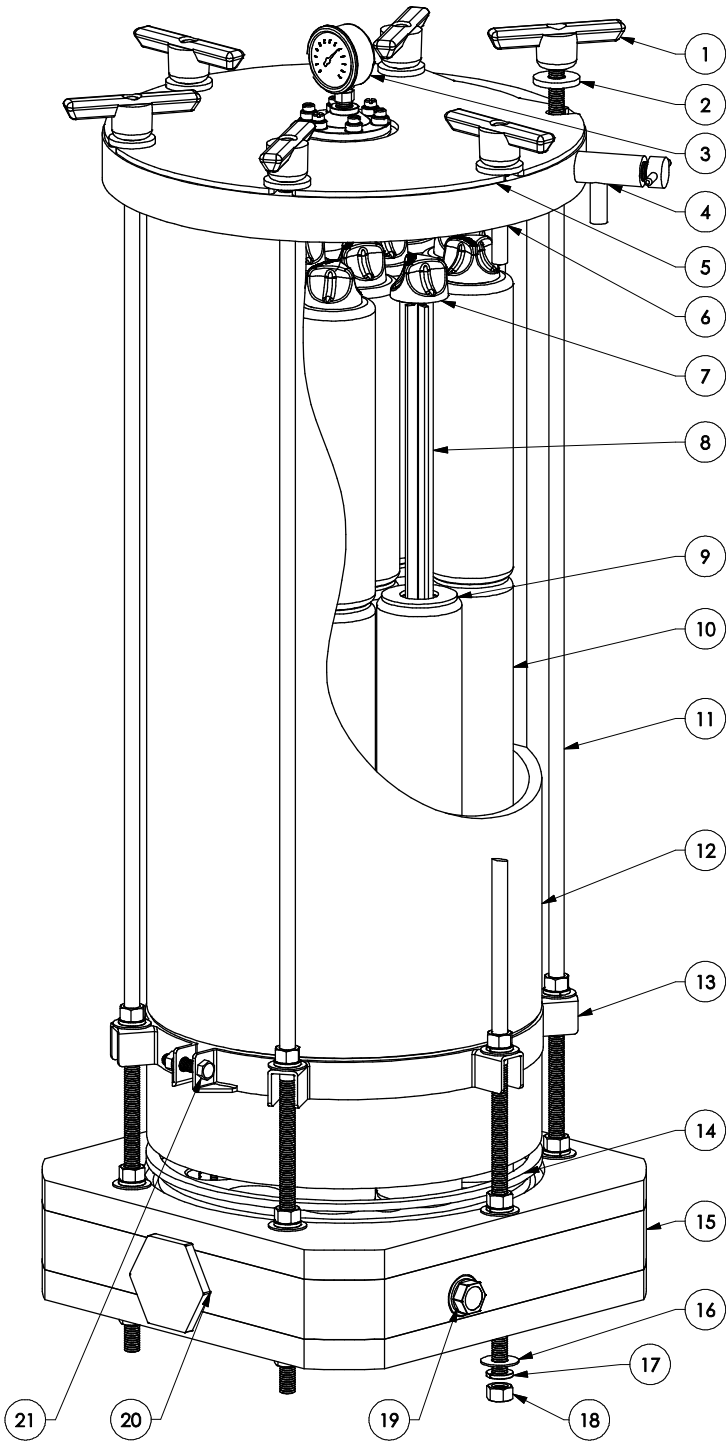
© 2014 Serfilco Ltd. All Right Reserved.

**SERFILCO**®

# Series 'GH-HP' | High flow-High pressure

2900 MacArthur Blvd. Northbrook, IL. USA 60062 WWW.SERFILCO.COM (800) 323-5431

**PARTS LIST**  
P-6100\_H  
12/17/2020  
Page 1 of 2



COL.	PORTS	PVC		CPVC	
		MODEL NO.	P/N	MODEL NO.	P/N
4	1-1/2"	-	-	CL40 1-1/2-G3A-HP	78-1146
		-	-	CL80 1-1/2-G3A-HP	78-1147
		-	-	CL120 1-1/2-G3A-HP	78-1148
		-	-	CL160 1-1/2-G3A-HP	78-1149
5	1-1/2"	PL50 1-1/2-G3A-HP	78-0520	CL50 1-1/2-G3A-HP	78-1146-A
		PL100 1-1/2-G3A-HP	78-0521	CL100 1-1/2-G3A-HP	78-1147-A
		PL150 1-1/2-G3A-HP	78-0522	CL150 1-1/2-G3A-HP	78-1148-A
		PL200 1-1/2-G3A-HP	78-0523	CL200 1-1/2-G3A-HP	78-1149-A
5	2"	PL50 2-G3A-HP	78-1112	CL50 2-G3A-HP	78-1112-C
		PL100 2-G3A-HP	78-1113	CL100 2-G3A-HP	78-1113-C
		PL150 2-G3A-HP	78-1114	CL150 2-G3A-HP	78-1114-C
		P200 2-G3A-HP	78-1115	CL200 2-G3A-HP	78-1115-C
11	2"	PL220 2-G3A-HP	78-0321	CL220 2-G3A-HP	78-0111
		PL330 2-G3A-HP	78-0322	CL330 2-G3A-HP	78-0112
		PL440 2-G3A-HP	78-0323	CL440 2-G3A-HP	78-0113
		PL550 2-G3A-HP	78-0324	CL550 2-G3A-HP	78-0114
11	3"	PL330 3-G3A-HP	78-1328	CL330 3-G3A-HP	78-1331
		PL440 3-G3A-HP	78-1329	CL440 3-G3A-HP	78-1332
		PL550 3-G3A-HP	78-1330	CL550 3-G3A-HP	78-1333

Product Bulletin:	C-114
Operation and Service Guide:	O-0885

NO.	DESCRIPTION	QTY	CPVC		PVC & CPVC		
			1-1/2" PORTS 4 COLUMN	1-1/2" PORTS 5 COLUMNS	2" PORTS 5 COLUMNS	2" PORTS 11 COLUMNS	3" PORTS 11 COLUMNS
1	Tee handle, 3/8"-16 PP 1/2"-13	4 6		11-0265			- 11-0266
2	Flat washer, 3/8" SS 1/2"	4 6		11-0447			- 11-0619
3	Gauge guard, Type 3A (includes vent valve)	1				99-0732-B	
4	Vent valve only CPVC	1				33-0051	
5	Cover plate SS	1		77-0792-SS			99-0303-SS
6	Cover, machined, PVC CPVC	1		88-1258 88-0966	-		88-0969 88-0983
7	Hold-down cap CPVC					77-1590	
8*	Threaded cross posts 10" CPVC 20" 30" 40" 50"					88-1601-PP 88-1602-PP 88-1603-PP 88-1604-PP 88-1605-PP	
9	Spacer EPDM FKM					22-0218 22-0204	
10	Depth filter cartridge. Refer to Product Catalog Sleeve cartridge. Refer to Parts List P-8600-1						
11	Tie rod 10" SS 20" 30" 40" 50"			(4x) 77-0420-3 (4x) 77-0405-2 (4x) 77-0404-2 (4x) 77-0424-2 -		(6x) 77-0403-2 (6x) 77-0402-2 (6x) 77-0401-2 (6x) 77-0400-2	- - (6x) 77-1504 (6x) 77-1505 (6x) 77-1506
12	Shell, 10" PVC 20" 30" 40" 50" 10" CPVC 20" 30" 40" 50"	1 1	- - - - -	77-9920 77-9921 77-9922 77-9923 88-2920 88-2919 88-2921 88-2922 -		77-9981 77-9982 77-9983 77-9984 77-1204 77-1205 77-1206 77-1207	- - - - -
13	Hold-down bracket SS	1		77-0794			77-0785
14	Gasket, (cover & base) EPDM FKM	1		22-0168 22-0834			22-0667 22-0668
15	Base, machined PVC CPVC	1	- 88-2916	88-1239 88-0916	88-1259 88-0916-1	88-1241 88-0915	88-0940-1 88-0940
16	Flat washer 3/8" SS 1/2"	12 18		11-0126			- 11-0124
17	Lock washer 3/8" SS 1/2"	12 18		11-0140			- 11-0343
18	Hex nut 3/8"-16 SS 1/2"-13	12 16		11-0105			- 11-0106
19	Drain plug 3/4" NPT CPVC	1				33-0211	
20	Plug, 1" NPT CPVC 1-1/2" NPT CPVC 2" NPT	1		33-0212 33-0868		- 33-0869	-
21	Hex bolt 3/8-16x1-3/4" SS Flat washer 3/8" Lockwasher 3/8" Hex nut 3/8-16"	1				11-0374 11-0126 11-0140 11-0105	
<b>The following item are not shown</b>							
* For chambers manufactured prior 2007 (unthreaded cross posts used with spring hold down).							
	Cartridge guide CPVC			88-0412			-
	Cross post 20" CPVC 30" 40" 50"			88-0350-3 88-0351-3 88-0352-3 -			- 88-0353-3
	Separator plate PVC CPVC	1	- 88-2918	88-1260 88-0987			- 88-1160
	Top seat plate assy., includes: top set plate, spring & cap. Top seat plate CPVC Spring, (vinyl coated) SS Spring guard cap CPVC					77-0916 77-0701-A 77-0301-1 77-0911	