

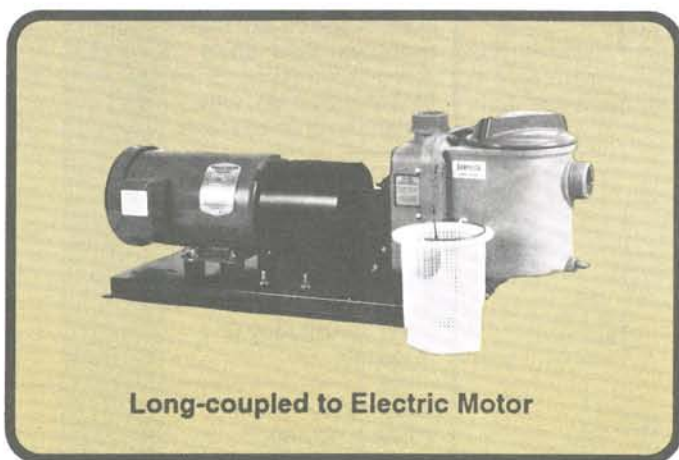


**SERFILCO®**

# SERIES 'G' HORIZONTAL PUMPS

BULLETIN  
P-609G  
SEPT. 1992

## PUMP AND DRIVER SELECTION GUIDE



**SERIES 'G' PUMP ALSO AVAILABLE  
LONG-COUPLED TO GASOLINE ENGINE.**

# PUMP SELECTION

## TO ORDER:

### PUMP WITH BEARING PEDESTAL ONLY (FOR LONG-COUPLING OR BELT DRIVE) -

Add Model and Price Code designation to pump designation.

**Example:** Model GNOK 1½"/2" C V CSS Price Code No. 60-61C1P

### PUMP WITH PEDESTAL, BASEPLATE AND DRIVE -

Select pedestal pump (as above). Order coupling, baseplate kit and power source from appropriate charts. The Model Number may be a single number on one line. Price Codes must be listed individually (add the separate prices for total).

**Example:** Model GNOK 1½"/2" C V CSS AA SBP-C1.0  
 Price Codes 60-61C1P (Pedestal pump)  
 58-0785 (Shaft coupling)  
 58-0028A (Baseplate kit)  
 58-0796 (Motor, electric, 1 H.P., 1φ, 3450 RPM, TEFC, flexible coupled)

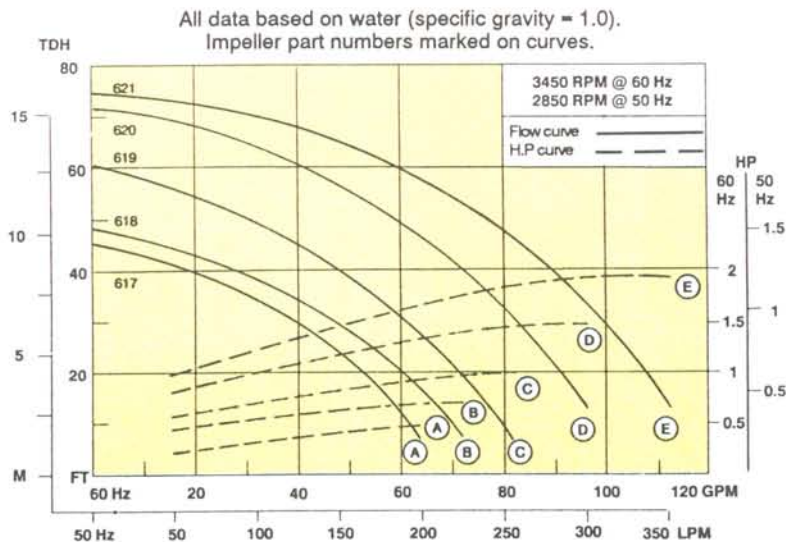
### PUMP CLOSE-COUPLED TO ELECTRIC OR PNEUMATIC MOTOR -

Select pump end only as in first example. Specify power source from appropriate charts.

**Example:** Model GNOK 1½"/2" C V-C1.0C Price Code 60-61C1-C1.0C  
 (Pump close-coupled to electric motor, 1 H.P., 1φ, 3450 RPM, TEFC, includes polypropylene baseplate.)

MATERIALS OF CONSTRUCTION & IMPELLER BORE				PORT SIZE, NPT <sup>1</sup>		IMPELLER	SEAL, GASKET, INTERNAL FASTENERS & VOLUTE LINING		
SERIES	DESCRIPTION	MODEL	PRICE CODE NO.	ADD TO		ADD TO	DESCRIPTION	ADD TO	
				MODEL	P/C			MODEL & P/C	MODEL
'G'	Noryl w/PP basket strainer and keyed impeller	GNOK	60-6	1½"/2"	1	A, B, C, D or E	Viton w/316 stn. steel fasteners, unlined volute	V	1
	Ryton w/Halar basket strainer and keyed impeller	GRYK	60-8				Buna-N w/316 stn. steel fasteners, unlined volute	B	2
							Buna-N w/316 stn. steel fasteners, lined volute	BL	3
							EPDM w/316 stn. steel fasteners, unlined volute	L	4
							EPDM w/316 stn. steel fasteners, lined volute	LL	5
							Viton w/titanium fasteners	T	6
							Viton w/Hastelloy C fasteners	H	7
							Viton w/non-metallic solution contact	VN	8
							EPDM w/non-metallic solution contact	LN	9

<sup>1</sup> Ports are threaded 1½" FNPT and 2" MNPT.  
 For BSP threads - Add B to Model No. and change Price Code No. from 1 to 4.





# DRIVE SELECTION

Price Code Numbers listed for power units are if purchased separately (no pump) or for flexible coupling to pumps.

HORSEPOWER REQUIREMENT CHART				TEFC ELECTRIC MOTORS <sup>2</sup> FOR LONG COUPLING				SHAFT COUPLING FOR LONG-COUPLED ELECTRIC PUMPS		BASEPLATE FOR LONG-COUPLED PUMPS <sup>5</sup>	
IMPELLER CURVE	RPM	ACTUAL REQ'D H.P.	IMPELLER DIAMETER	115/230/1/50-60 <sup>3</sup>		230/460/3/60 <sup>3</sup>		ADD TO MODEL	PRICE CODE NO.	ADD TO MODEL	PRICE CODE NO.
				MODEL NO. & PCN	HP PCN (long-coupled)	MODEL NO. & PCN	HP PCN (long-coupled)				
A	3450	.5	3.425"	-C.5	58-0761	-D.5	58-0735	AA	58-0785	SBP	58-0028A
B		.75	3.582"	-C.75	58-0762	-D.75	58-0736	AC <sup>4</sup>	58-0787	SHBP <sup>4</sup>	58-0016A
C		1.0	3.840"	-C1.0	58-0796	-D1.0	58-0737				
D		1.5	4.134"	-C1.5	58-0799	-D1.5	58-0738				
E		2.0	4.250"	-C2.0	58-0763	-D2.0	58-0739				
				-C3.0	58-0805	-D3.0	58-0811				

<sup>2</sup> Above motors are for long-coupling to pumps. If close-coupled is desired, add a C after the Model No. and Price Code No. included with close-coupled electric pumps. To order shaft adapter for close-coupling see <sup>7</sup>.

ODP (Open drip-proof) motors are available. Change letter in Model No. and Price Code No. as follows: Change C to K, D to T. Add this letter to long-coupled Price Code No. as a suffix. (Example: -C2.0 to -K2.0 & 58-0763 to 58-0763K)

<sup>3</sup> When ordering for 50 Hz, specify voltage, phase, 50 Hz. No change in Price Code Number.

<sup>4</sup> Required for 3 H.P. single phase motors.

PEDESTAL WITH PUMP SHAFT FOR LONG-COUPLED PUMPS		
CAST IRON PEDESTAL	ADD TO	
	MODEL	PRICE CODE NO.
316 stn. steel shaft	CSS	P
Titanium shaft	CT	R
Hastelloy C shaft	CH	S

GASOLINE ENGINE FOR LONG-COUPLING ONLY				SHAFT COUPLING FOR LONG-COUPLED PUMPS/ENGINES		BASEPLATE FOR LONG-COUPLED PUMPS/MOTORS <sup>5</sup>	
IMPELLER CURVE	DESCRIPTION	MODEL NUMBER	PRICE CODE NO.	MODEL NUMBER	PRICE CODE NO.	ADD TO MODEL	PRICE CODE NO.
A, B, C, D or E	3 H.P. Standard	-E3	58-0633	AJ	58-0876	SBP	58-0028A
	3 H.P., I/C heavy duty	-E3A	58-0633A				

<sup>5</sup> Baseplate kits include all fasteners, shims and coupling guard. Price Code Nos. listed for baseplate include mounting and alignment charge. If kit is being ordered alone and unassembled, omit A from Price Code Number.

PNEUMATIC MOTOR FOR LONG COUPLED <sup>6</sup>				
RPM	H.P.	ADD TO MODEL & PRICE CODE NO.	AIR VOLUME REQUIRED (Cu. ft./min.)	AIR PRESSURE REQUIRED (PSI)
2900	.5	-PN	30	18
	.75		40	22
	1.0		45	27
	1.5		57	37
	2.0		70	49

To approximate curve at 2900 RPM, reduce flow by 20%, reduce head by 29% and reduce horsepower by 40%. Pneumatic motor driven pumps include a steel baseplate.

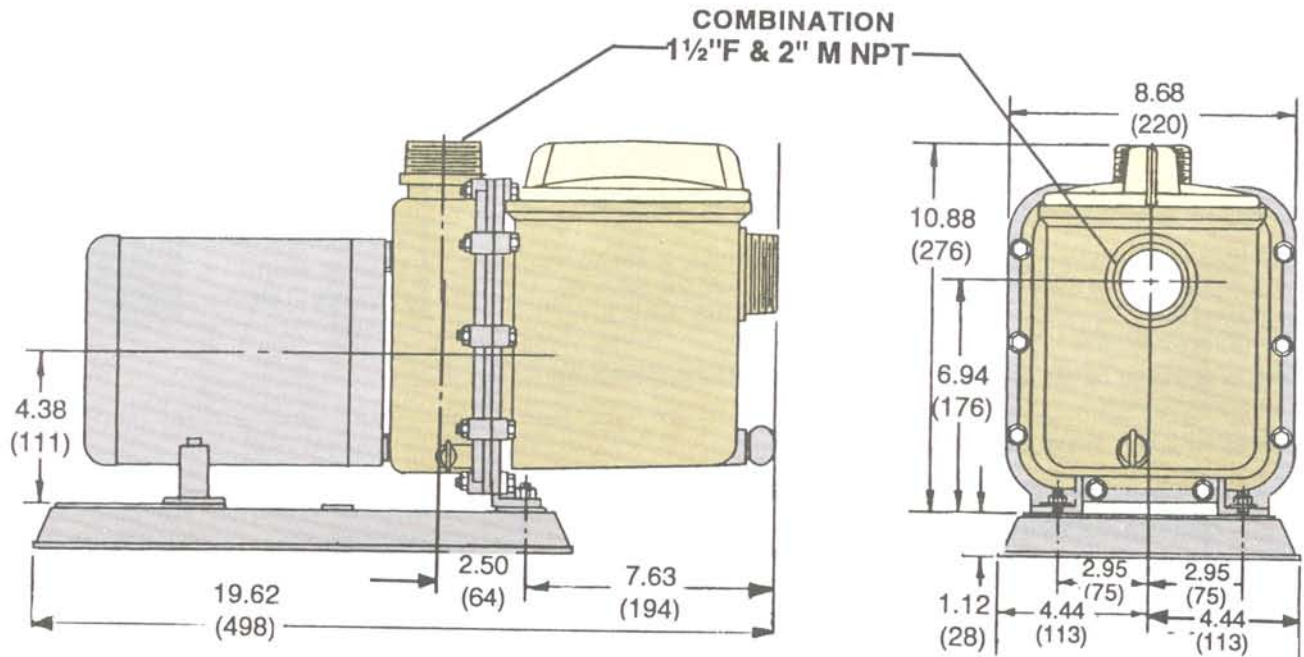
<sup>6</sup> Close-coupled available: Add A after the Model and Price Code Number. (See<sup>7</sup>)

<sup>7</sup> For close-coupling: 316 stainless steel shaft adapter is furnished on all electric and pneumatic motors. A polypropylene base plate is included with close-coupled electric pumps.

### OPTIONAL SHAFT ADAPTER

DESCRIPTION	ADD TO MODEL NO. & PRICE CODE NO.
Titanium shaft	T
Hastelloy C shaft	H

# DIMENSIONS



DIMENSIONS Inches (mm)

F.O.B. Northbrook, Illinois



**SERFILCO, LTD.**

1777 Shermer Rd. 708-559-1777  
 Northbrook, IL 60062-5360 U.S.A. 800-323-5431  
 FAX: 708-559-1995

DISTRIBUTED BY

Printed in U.S.A.