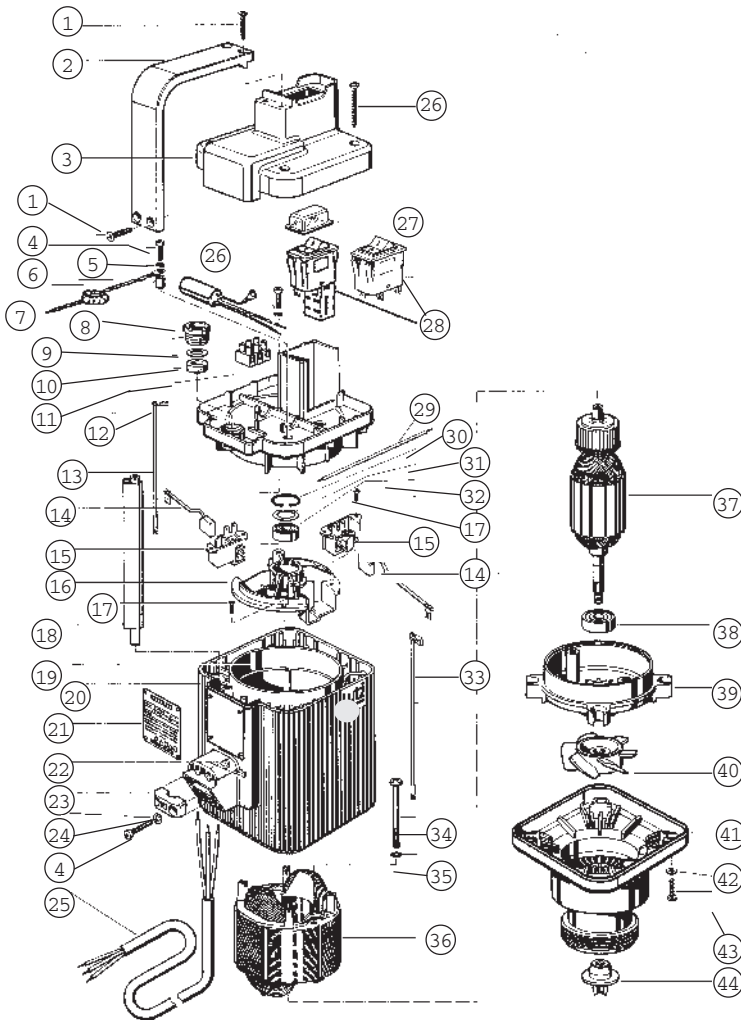


TEFC MOTOR FOR DRUM PUMP

PARTS LIST
P-6050A
OCT. 1990

MODEL	VOLTAGE	PRICE CODE NO.
ENC	110	55-7153
ENC50	220	55-7154

ITEM	DESCRIPTION	PART NO.
1	Screw	55-8800
2	Handle	55-8852
3	Motor cover	55-8653
4	Screw	55-8629
5	Snap ring	55-8724
6	Connector	55-8655
7	Connecting wire	55-8701
8	Pressure screw	55-8808
9	Pressure ring	55-0790
10	Seat ring	55-0791
11	Strip terminal	55-8659
12	Motor housing	55-8660
13	Connecting wire only, 110V	55-8702
	Wire w/coil, 220V (not shown)	55-8709
14	Carbon brush, 110V	55-8711
	220V	55-8703
15	Carbon brush housing, 110V	55-8617
	220V	55-8616
16	Bearing support	55-8620
17	Tap screw	55-8674
18	Tie rod	55-8662
19	Cooling jacket	55-8663
20	Insulating jacket	55-8664
21	Type label, 110V	55-8719
	Label w/low voltage release, 220V	55-8704
22	Screw	55-0792
23	Clamp	55-8627
24	Washer	55-8628
25	Power cable, 110V	55-8713
	Cable w/plug, 220V(not shown)	55-8705
26	Screw	55-8668
27	Splash-proof protection	55-8669
28	Protection switch, 110V	55-8718
	Switch w/low voltage release, 220V (not shown)	55-8706
29	Connecting wire	55-8671
30	Snap ring	55-8672
31	Ball bearing washer	55-8640
32	Grooved ball bearing	55-8673
33	Connecting wire	55-8675
34	Screw	55-8643
35	Washer	55-8676
36	Stator, 110V	55-8715
	220V	55-8707
37	Rotor, 110V	55-8716
	220V	55-8708
38	Grooved ball bearing	55-8677
39	End plate	55-8678
40	Fan	55-8649
41	Motor end shield	55-8679
42	Washer	55-8726
43	Screw	55-8727
44	Upper coupling	55-6333



45	Protection condensor, 220V	55-8717
46	Impedance coil, 220V	55-8710

F.O.B. Northbrook, Illinois

Terms: Net 30 Days

Minimum order \$25.00

SERFILCO, LTD.

2900 MacArthur Blvd. 847-509-2900
 Northbrook, IL 60062-2005 U.S.A. 800-323-5431
 e-mail: sales@serfilco.com FAX: 847-559-1995
 www.serfilco.com

WESTERN
 310-532-0801
 FAX: 310-532-0866